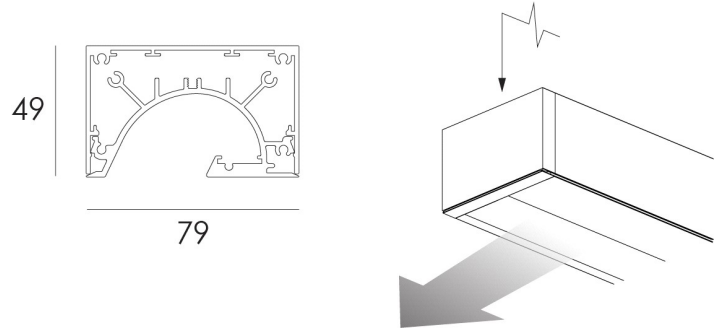
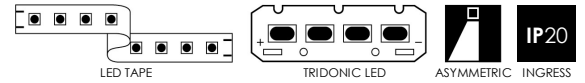


# WYN LP SM

SURFACE MOUNTED PROFILE

# DARKON

THE EDGE OF LIGHT



## DESIGN FEATURES

- Dot free homogeneous illumination
- Up to 95 exit lumens per system watt
- High colour tolerance - MacAdam 3
- Detailed shop drawings
- Supplied 100% pre-built
- 10 year extended warranty optional
- Miter joints available
- Approximate fitting weight of 2.7 Kg per/m.
- Multiple fixed output options
- 90+ colour rendering, 80+ available upon request
- Complies with AS/NZS 60598.2.1
- Australian made
- 5 year warranty
- Project specific labelling referencing type numbers
- Welded mitre joints eliminate light bleed

## LUMEN PERFORMANCE

### TRIDONIC FIXED WHITE / EXIT LUMENS

HE CRI90	200mA	1285 lm p/mtr	14 W p/mtr
HE CRI90	250mA	1592 lm p/mtr	17 W p/mtr
HE CRI90	300mA	1894 lm p/mtr	20 W p/mtr
HE CRI90	350mA	2179 lm p/mtr	23 W p/mtr
HE CRI90	400mA	2461 lm p/mtr	27 W p/mtr
HE CRI90	450mA	2737 lm p/mtr	30 W p/mtr
HE CRI90	500mA	3003 lm p/mtr	33 W p/mtr
HO CRI90	350mA	2698 lm p/mtr	30 W p/mtr
HO CRI90	400mA	3045 lm p/mtr	35 W p/mtr
HO CRI90	450mA	3380 lm p/mtr	39 W p/mtr
HO CRI90	500mA	3719 lm p/mtr	44 W p/mtr

Tested with white finish / 4000K

## OPTIONS

**FINISH:** Black / White / Silver / Gold / Custom

**LED:** HE / HO / DPAL20 / DPAL60 / RGBW HE / RGBW HO

**CURRENT:** 200 / 250 / 300 / 350 / 400 / 450 / 500mA

**TEMP:** 2700K / 3000K / 4000K / (2700K-6500K)

**DIMMING:** Non dim / DALI dim / SwitchDIM / DSI dim / Casambi

PROJECT:

REV: 24/10/2024

TYPE NO:

QTY:

DARKON.COM.AU