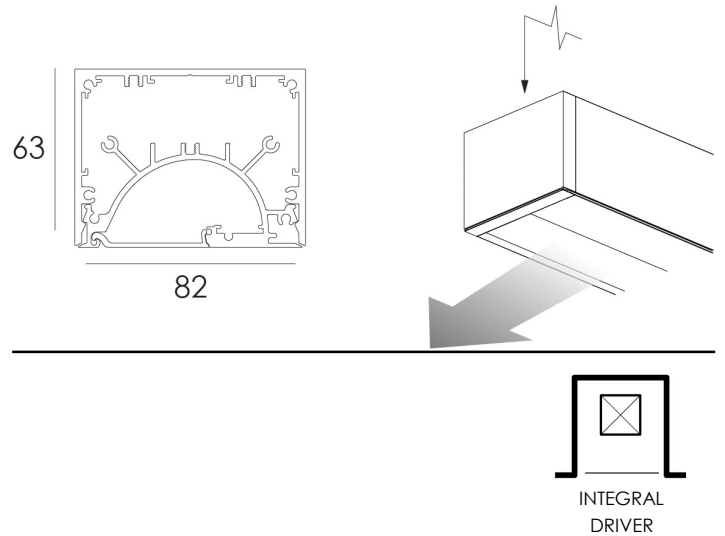
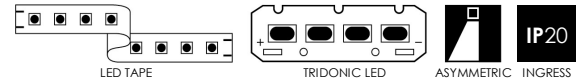


WYN IP SM

SURFACE MOUNTED PROFILE

DARKON

THE EDGE OF LIGHT



DESIGN FEATURES

- Dot free homogeneous illumination
- Up to 102 exit lumens per system watt
- High colour tolerance - MacAdam 3
- Detailed shop drawings
- Supplied 100% pre-built
- 10 year extended warranty optional
- Approximate fitting weight of 4.2 Kg per/m.
- Multiple fixed output options
- 90+ colour rendering, 80+ available upon request
- Complies with AS/NZS 60598.2.1
- Australian made
- 5 year warranty
- Project specific labelling referencing type numbers
- Miter joints are not available

LUMEN PERFORMANCE

TRIDONIC FIXED WHITE / EXIT LUMENS

HE CRI90	200mA	1317 lm p/mtr	13 W p/mtr
HE CRI90	250mA	1632 lm p/mtr	17 W p/mtr
HE CRI90	300mA	1936 lm p/mtr	20 W p/mtr
HE CRI90	350mA	2235 lm p/mtr	23 W p/mtr
HE CRI90	400mA	2524 lm p/mtr	27 W p/mtr
HE CRI90	450mA	2807 lm p/mtr	30 W p/mtr
HE CRI90	500mA	3081 lm p/mtr	33 W p/mtr
HO CRI90	350mA	2768 lm p/mtr	30 W p/mtr
HO CRI90	400mA	3123 lm p/mtr	35 W p/mtr
HO CRI90	450mA	3468 lm p/mtr	39 W p/mtr
HO CRI90	500mA	3815 lm p/mtr	44 W p/mtr

Tested with white finish / 4K / clear lens

OPTIONS

FINISH: Black / White / Silver / Gold / Custom

LENS: Clear Lens

LED: HE / HO / DPAL20 / DPAL60 / RGBW HE / RGBW HO

CURRENT: 200 / 250 / 300 / 350 / 400 / 450 / 500mA

TEMP: 2700K / 3000K / 4000K / (2700K-6500K)

DIMMING: Non dim / DALI dim / SwitchDIM / DSI dim / Casambi

PROJECT:

REV: 24/10/2024

TYPE NO:

QTY:

DARKON.COM.AU