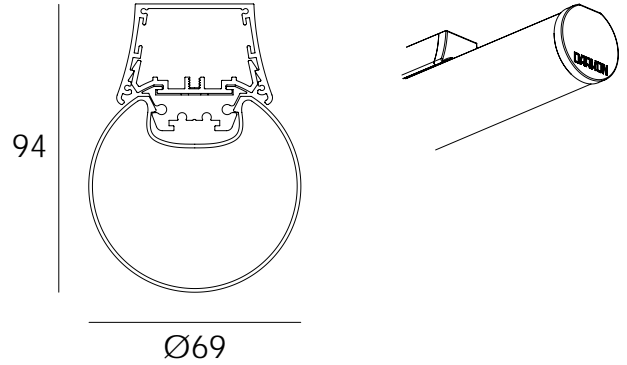


TUBE SM

SURFACE MOUNTED PROFILES

DARKON

THE EDGE OF LIGHT



DESIGN FEATURES

- Dot free homogeneous illumination
- Screwless end caps
- Multiple fixed output options
- High exit lumens per watt
- 80+ or 90+ colour rendering
- High colour tolerance Macadam 3
- Complies with AS/NZS 60598.2.1
- L80 / F10 = 72,000 hours @ 450mA / 75°C TA

INSTALLATION FEATURES

- Detailed shop drawings
- Australian made
- Supplied 100% pre-built
- 5 year warranty
- 10 year extended warranty optional
- Project specific labelling referencing type numbers

LUMEN PERFORMANCE

TRIDONIC LLE16 FIXED WHITE G5 LED

HE	350mA	16 W p/mtr	1578 lm p/mtr
HE	400mA	18 W p/mtr	1806 lm p/mtr
HE	450mA	21 W p/mtr	2011 lm p/mtr
HE	500mA	22 W p/mtr	2203 lm p/mtr

SYSTEM WATTAGE & EXIT LUMENS
TESTED WITH OPAL V / WHITE FINISH / 4000K

CONFIGURATOR

FINISH: White / black / silver
LENS: Opal V
LED: HE
CURRENT: 350mA / 400mA / 450mA / 500mA
COLOUR TEMP: 2700K / 3000K / 4000K
DIMMING: Non Dim / DALI / DSI / Switch Dim

NOTES: FIXED LENGTHS ONLY, NO MITRE JOINS

PROJECT:

TYPE NO.:

QTY:

REV: 25/02/20

DARKON.COM.AU