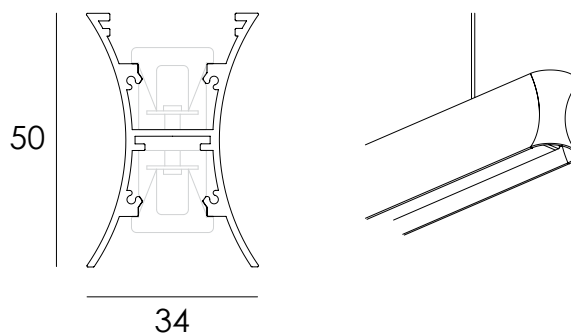


# SUPER MINI SUIT NEON SUS

SUSPENDED PROFILES

# DARKON

THE EDGE OF LIGHT



## DESIGN FEATURES

- Utilises silicone Neon LED
- In-house Neon LED length customisation
- In-house Neon LED moulded end caps
- IP67 ingress protection
- Dot free homogeneous illumination
- Dust free matt finish silicone
- Multiple fixed output options
- Up to 88 exit lumens per system watt
- 90+ colour rendering
- 10m max single length of LED with single power feed (White)
- 5m max single length of LED with single power feed (TW / RGB/W)
- Max single length doubles with dual power feed option
- UV protected
- Screwless end caps
- Complies with AS/NZS 60598.2.1
- 50,000 hrs lifetime
- L70B50 > 50,000 hrs
- 3 year warranty
- Project specific labelling referencing type numbers
- Detailed shop drawings
- Miter joins are not available

## LUMEN PERFORMANCE

### T1616 NEON LED [DIRECT & INDIRECT]

30.8 W p/mtr 2713 lm p/mtr

SYSTEM WATTAGE & EXIT LUMENS  
TESTED WITH WHITE FINISH AT 4000K

## OPTIONS

- FINISH:** White / Black / Silver / Gold / Custom  
**CEILING PLATE FINISH:** White / Black  
**CEILING PLATE TYPE:** Surface Mounted / Recessed  
**SUSPENSION TYPE:** 2m Wire / 4m Wire  
**COLOUR TEMP:** 2700K / 3000K / 4000K / TW / RGB / RGBW  
**DRIVER:** Non Dim / DALI Dim / DMX

PROJECT:

TYPE NO.:

QTY:

REV: 13/03/26

DARKON.COM.AU