


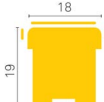



SR Contour Light

CONT V AURAS OUTDOOR PX SPI RGB SERIES



SUMMARY

bend dir.  VERTICAL	min bend radius 10cm	dimension 	max length 8m	cutting pitch 71.4mm
IP IP67	power 17.1W/m	beam 120°	color 	pixel/m 14

DIMMING OPTION



ELECTRICAL

Supply voltage: DC24.0V±1.0V

Power range and supply current:

Power	Current
17.1W/m	714mA/m

ESD protection: contact 4kV, air 8kV

Pixels per meter: 14

MECHANICAL

Minimum bending radius: 10cm

Maximum length: 8m

Cutting pitch: 71.4mm

IP: IP67

Lifetime, Warranty & Compliance

Warranty: 2 years*

Lifetime: 50,000 hours, L70/B50@ta 65°C

Compliance:

- EN 62031, EN 62471, EN 60598-1, EN 60598-2-1
- EN 55015, EN 61547
- AS/NZS 60598.1, AS/NZS 60598.2.1

* For 5-year warranty, please consult your local sales.

FEATURES

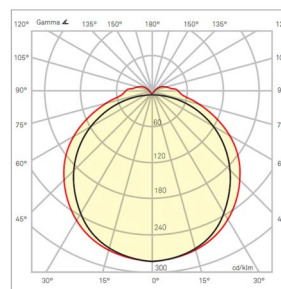
- Excellent thermal dissipation encapsulated with high performance grade silicone material with operating temperature up to maximum ta 65°C
- Designed to be UV and corrosion resistant; compliant to UL 94 V-0 flame-retardant standard
- Seamless with no dark spot even at the terminals
- Lifetime: 50,000 hours
- Direct Artnet-to-SPI interlace; 2048 channels per SPI output line; synchronized Artnet data through ArtSync
- Linear daisy-chain of Artnet-to-SPI interfaces of up to 36 controllers per line
- Maximum operational frame rate: 48fps
- Up to 96m of Contour Light daisy-chained data lines per controller
- Up to 50m input shield twisted pair data cable from controller to Contour Light

LIGHT OUTPUT

Luminaire Lumen Output:

Color	RED, 621nm	GREEN, 532nm	BLUE, 467nm	total
lm/m	108	240	43	391

Beam angle: 120°



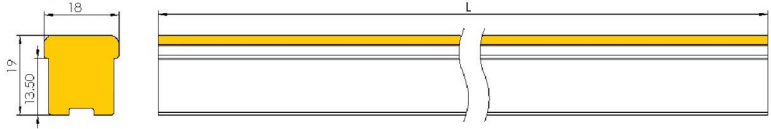
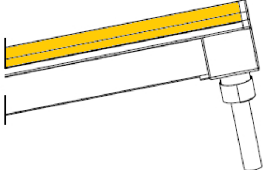
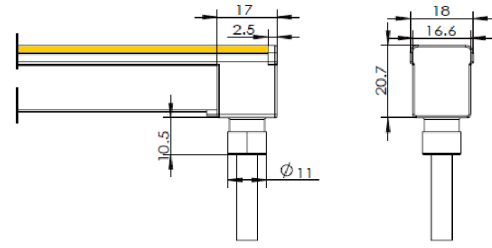
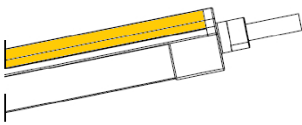
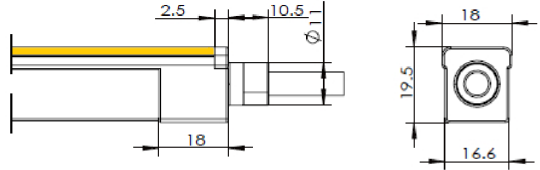
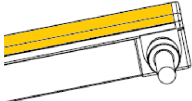
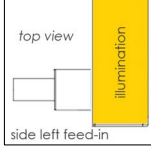
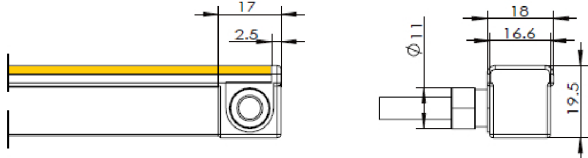
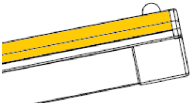
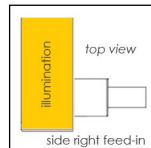
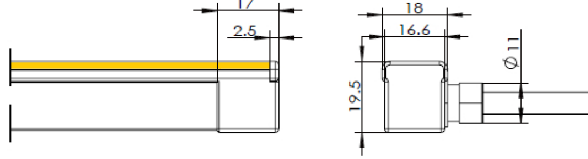
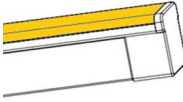
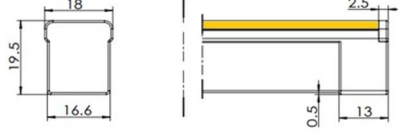
Environment

Ambient temperature: -40°C ... +65°C

Storage temperature: -40°C ... +85°C

Working humidity: 5% to 85%, non-condensing

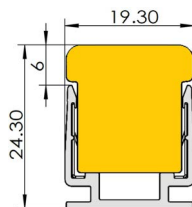
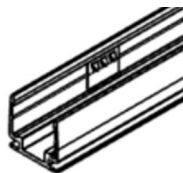
DIMENSIONS

<p>CONT V AURAS ORS Body</p>	 <p style="text-align: center;">$L \leq 8m$</p>
<p>Injection Bottom Feed-in (JB)</p> 	
<p>Injection End Feed-in (JE)</p> 	
<p>Injection Side Left Feed-in (JSL)</p>  	
<p>Injection Side Right Feed-in (JSR)</p>  	
<p>Injection End Cap</p> 	

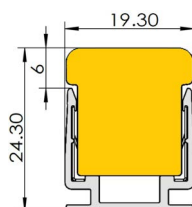
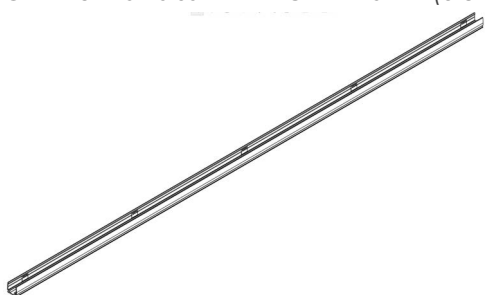
Additional length added to body length L is 5mm with any one feed-in (added 2.5mm) and end cap (added 2.5mm).

MOUNTING ACCESSORIES

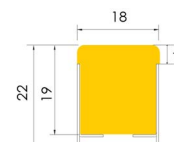
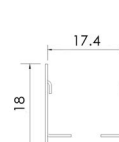
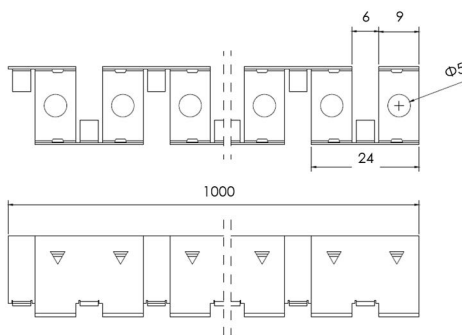
CONT AURAS RS AL CLIP 50MM



CONT AURAS RS JBE AL PROFILE AS 1M (aluminum profile with anti-skids for bottom feed-in, 1m)
 CONT AURAS RS JSL AL PROFILE AS 1M (aluminum profile with anti-skids for side left feed-in, 1m)
 CONT AURAS RS JSR AL PROFILE AS 1M (aluminum profile with anti-skids for side right feed-in, 1m)



CONT AURAS SS CURVE PROFILE 1M (stainless steel curve profile, 1m)





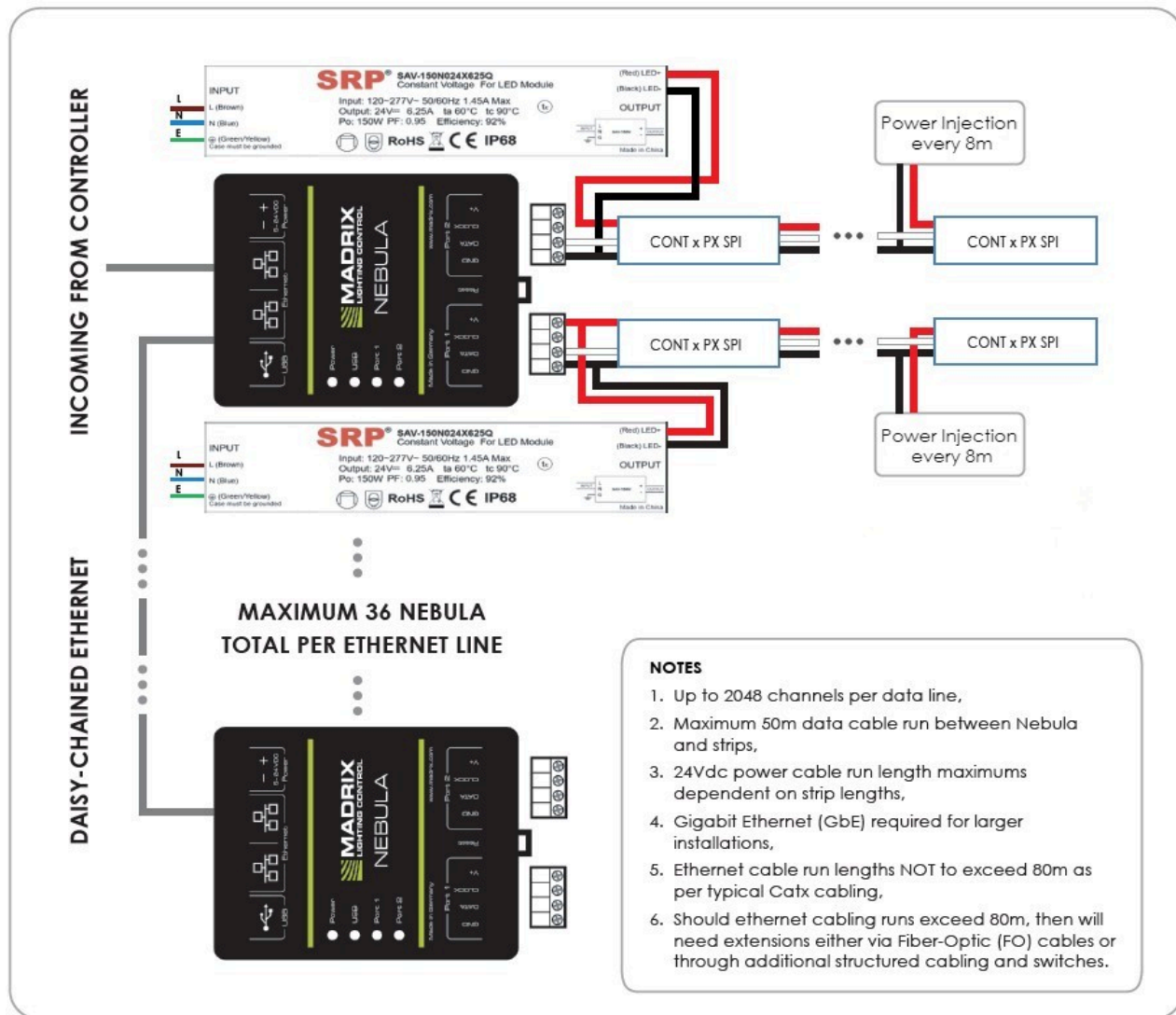
WIRING

input/output

TPE cable outer diameter: Ø6mm

wire color	function	wire size
red	VCC	AWG 18
black	GND	AWG 18
white	DATA	AWG 18

CONNECTIONS



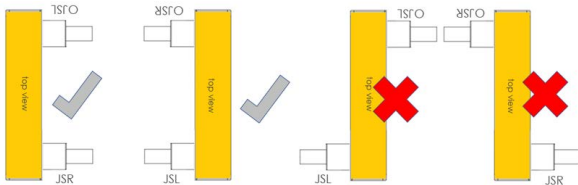
SR Contour Light CONT V AURAS OUTDOOR PX SPI RGB



ORDERING INFORMATION

SR Contour Light	Model	Feed-in Cable Direction	Feed-out Cable Direction	Signal Control	Color	Length
CONT V AURAS	ORS17	JB (bottom feeder) JE (end feeder) JSL * (side feeder left) JSR * (side feeder right)	OJB (bottom feeder) OJE (end feeder) OJSL * (side feeder left) OJSR * (side feeder right) <empty> (no output)	PX SPI	RGB	xM (x = length in meters, max 8m)

* Note on Side Feed-in and Side Feed-out



Example:

CONT V AURAS ORS17 JB OJB PX SPI RGB 8m refers to SR Contour Light CONT V AURAS OUTDOOR PX SPI RGB Outdoor Series, SPI control pixelated RGB, injection bottom feed-in, injection bottom feed-out, 8meters in length.

CONT V AURAS ORS17 JB PX SPI RGB 8m refers to SR Contour Light CONT V AURAS OUTDOOR PX SPI RGB Outdoor Series, SPI control pixelated RGB, injection bottom feed-in, no feed-out, 8meters in length.

Accessory Ordering Code	Description
CONT AURAS RS AL CLIP AS 50MM	aluminum clip with anti-skids, 50mm
CONT AURAS RS JBE AL PROFILE AS 1M	aluminum profile with anti-skids for bottom feed-in and end feed-in, 1m
CONT AURAS RS JSL AL PROFILE AS 1M	aluminum profile with anti-skids for side left feed-in, 1m
CONT AURAS RS JSR AL PROFILE AS 1M	aluminum profile with anti-skids for side right feed-in, 1m
CONT AURAS SS CURVE PROFILE 1M	stainless steel curve profile, 1m

LED Drivers	Description
SAV-060N024X02HQA	60W 24V Constant Voltage LED Driver
SAV-096N024X400Q	96W 24V Constant Voltage LED Driver
SAV-150N024X625Q	150W 24V Constant Voltage LED Driver

Note: System design will vary depending on actual project configuration. Please consult your local sales support for details in length in series connection, connecting cable type and lengths.

Disclaimer: Data might vary due to equipment tolerance. Manufacturer reserves the right to make changes to information published in this document, including without limitation specifications and product descriptions, at any time and without notice.