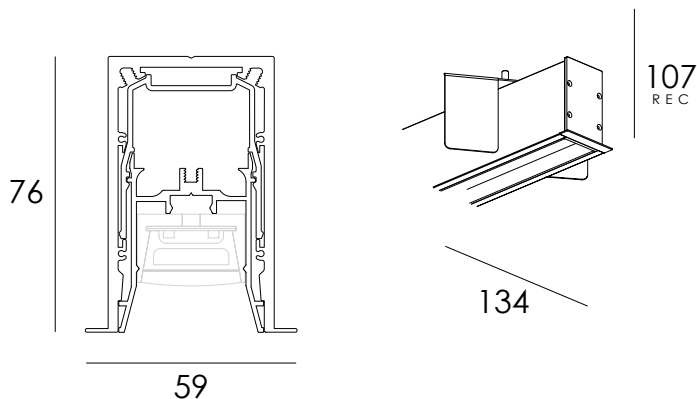
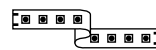


SLIM TRIM NEON REC

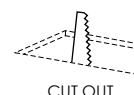
RECESSED PROFILES

DARKON

THE EDGE OF LIGHT



50mm W



DESIGN FEATURES

- Available with anti-glare silicone Neon LED
- Recessed light source to further help reduce glare
- Optional dual tone reflector insert with internal end cap
- In-house Neon LED length customisation
- In-house Neon LED moulded end caps
- IP67 ingress protection
- IK10 protection rating
- Dot free homogeneous illumination
- Dust free matt finish silicone
- Up to 56 exit lumens per system watt
- 90+ colour rendering
- High colour tolerance - MacAdam 3
- 50,000 hrs lifetime
- L70B50 > 50,000 hrs

- Complies with AS/NZS 60598.2.1
- Detailed shop drawings
- Australian made
- Supplied 100% pre-built
- Snap fit gear tray with integrated driver
- Plug and play wire looms
- Sprung loaded control joints
- Lap joint milling for Light Bleed free joints
- 3 year warranty
- 5 year extended warranty optional
- Project specific labelling referencing type numbers
- Miter joints available
- Welded mitre joints eliminate light bleed
- Factory fitted "push to join" installation

LUMEN PERFORMANCE

T3020 NEON LED

39.3 W p/mtr 2203 lm p/mtr

SYSTEM WATTAGE & EXIT LUMENS

TESTED WITH BLACK FINISH AT 3000K WITH DEGLARING LENS

OPTIONS

INT FINISH: White / Black / Silver / Gold / Custom

EXT FINISH: White / Black / Silver / Gold / Custom

LENS: Opal / Deglaring

COLOUR TEMP: 2700K / 3000K / 3500K / 4000K

DIMMING: Non Dim / DALI / DSI / Switch Dim / Casambi

PROJECT:

TYPE NO.:

QTY:

REV: 21/04/26

DARKON.COM.AU