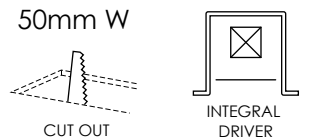
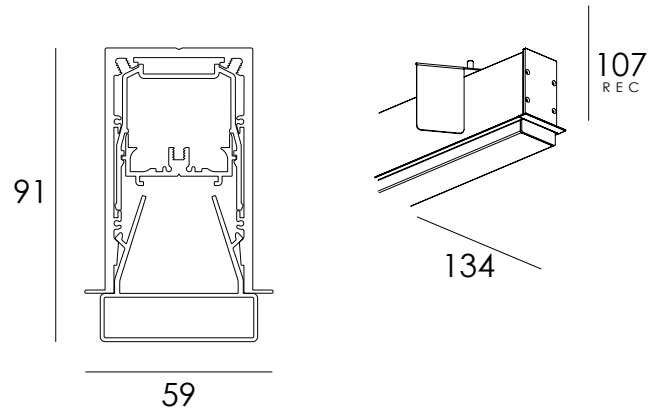
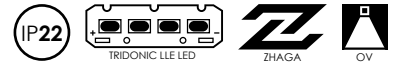


SLIM TRIM CUBED REC

RECESSED PROFILES

DARKON

THE EDGE OF LIGHT



DESIGN FEATURES

- Dot free homogeneous illumination
- Multiple fixed output options
- Zhaga compliant
- Up to 90 exit lumens per system watt
- 90+ colour rendering, 80+ available upon request
- High colour tolerance - MacAdam 3
- L80 / F10 = 72,000 hours @ 450mA / 75°C TA
- Complies with AS/NZS 60598.2.1
- Detailed shop drawings
- Australian made
- Supplied 100% pre-built
- Snap fit gear tray with integrated driver
- 5 year warranty
- 10 year extended warranty optional
- Project specific labelling referencing type numbers
- Approximate fitting weight of 2.2 Kg per/m
- Only single body lengths available
- Miter joins are not available

LUMEN PERFORMANCE

TRIDONIC LLE24 FIXED WHITE LED

HE	200mA	10 W p/mtr	780 lm p/mtr
HE	250mA	12 W p/mtr	968 lm p/mtr
HE	300mA	14 W p/mtr	1154 lm p/mtr
HE	350mA	16 W p/mtr	1331 lm p/mtr
HE	400mA	18 W p/mtr	1508 lm p/mtr
HE	450mA	21 W p/mtr	1681 lm p/mtr
HE	500mA	23 W p/mtr	1853 lm p/mtr
HO	200mA	17 W p/mtr	1556 lm p/mtr
HO	250mA	21 W p/mtr	1921 lm p/mtr
HO	300mA	26 W p/mtr	2275 lm p/mtr
HO	350mA	30 W p/mtr	2618 lm p/mtr
HO	400mA	34 W p/mtr	2953 lm p/mtr
HO	450mA	38 W p/mtr	3271 lm p/mtr
HO	500mA	43 W p/mtr	3601 lm p/mtr

SYSTEM WATTAGE & EXIT LUMENS
TESTED WITH OPAL V / WHITE FINISH / 4000K

OPTIONS

- FINISH:** White / Black / Silver / Gold / Custom
LENS: Opal V
LED: HE / HO / Tunable white
CURRENT: 200 / 250 / 300 / 350 / 400 / 450 / 500mA
COLOUR TEMP: 2700K / 3000K / 4000K / TW 2700K-6500K
DIMMING: Non Dim / DALI / DSI / Switch Dim / Casambi

PROJECT:

TYPE NO.:

QTY:

REV: 25/06/26

DARKON.COM.AU