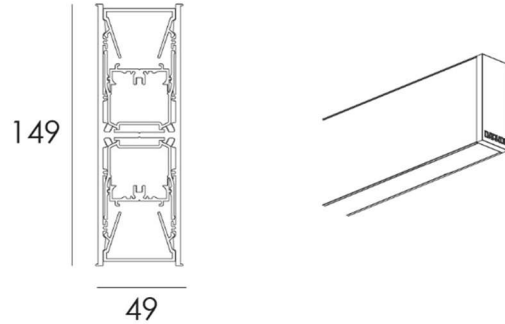


SLIM H WALL

WALL MOUNTED PROFILE

DARKON

THE EDGE OF LIGHT



DESIGN FEATURES

- Dot free homogeneous illumination
- Multiple fixed output options
- Multiple snap fit lens options
- Zhaga compliant
- Up to 100 exit lumens per system watt
- 90+ colour rendering, 80+ available upon request
- High colour tolerance - MacAdam 3
- L80 / F10 = 72,000 hours @ 450mA / 75°C TA
- Complies with AS/NZS 60598.2.1
- Lap join milling - No Light Bleed

INSTALLATION FEATURES

- Detailed shop drawings
- Australian made
- Supplied 100% pre-built
- Snap fit gear tray with integrated driver
- Plug and play wire looms
- 5 year warranty
- 10 year extended warranty optional
- Project specific labelling referencing type numbers
- Miter joints available
- Welded mitre joints eliminate light bleed

LUMEN PERFORMANCE

TRIDONIC FIXED WHITE / EXIT LUMENS (DIRECT / INDIRECT)

HE CRI90	200mA	845 lm p/mtr	10 W p/mtr
HE CRI90	250mA	1048 lm p/mtr	12 W p/mtr
HE CRI90	300mA	1246 lm p/mtr	14 W p/mtr
HE CRI90	350mA	1441 lm p/mtr	16 W p/mtr
HE CRI90	400mA	1631 lm p/mtr	18 W p/mtr
HE CRI90	450mA	1817 lm p/mtr	20 W p/mtr
HE CRI90	500mA	2008 lm p/mtr	23 W p/mtr
HO CRI90	200mA	1697 lm p/mtr	17 W p/mtr
HO CRI90	250mA	2094 lm p/mtr	21 W p/mtr
HO CRI90	300mA	2479 lm p/mtr	25 W p/mtr
HO CRI90	350mA	2852 lm p/mtr	29 W p/mtr
HO CRI90	400mA	3212 lm p/mtr	33 W p/mtr
HO CRI90	450mA	3493 lm p/mtr	37 W p/mtr
HO CRI90	500mA	3828 lm p/mtr	42 W p/mtr

Tested with white finish @ 4000K with Opal V lens.

CONFIGURATOR

- FINISH:** Black / White / Silver
- LENS DOWN:** Opal V / Deglaring / Asymmetric / Narrow
- LENS UP:** Opal V / Deglaring / Asymmetric / Narrow
- LED DOWN:** HE / HO / Tunable white (2700K-6500K)
- CURRENT DOWN:** 200 / 250 / 300 / 350 / 400 / 450 / 500mA
- LED UP:** HE / HO / Tunable white
- CURRENT UP:** 200 / 250 / 300 / 350 / 400 / 450 / 500mA
- TEMP:** 2700K / 3000K / 4000K
- UP / DOWN:** Single control / Separately controlled
- DIMMING:** Non dim / DALI / SwitchDIM / DSI

PROJECT:

TYPE NO:

QTY:

REV: 8/03/2023

DARKON.COM.AU