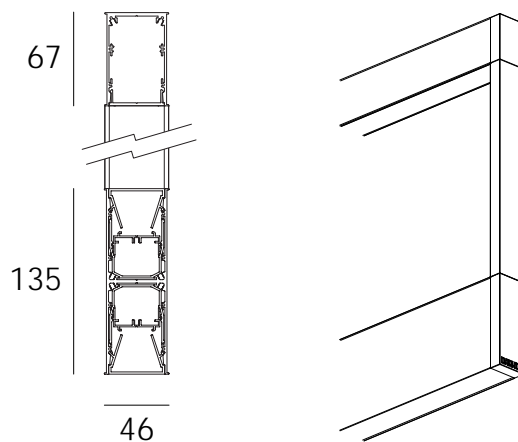


# SLIM H SUS END CAP

SUSPENDED PROFILES

# DARKON

THE EDGE OF LIGHT



## DESIGN FEATURES

- Dot free homogeneous illumination
- Screwless end caps
- Multiple fixed output options
- Multiple snap fit lens options
- Zhaga compliant LED
- High exit lumens per watt
- 80+ or 90+ colour rendering
- High colour tolerance Macadam 3
- Complies with AS/NZS 60598.2.1
- L80 / F10 = 72,000 hours @ 450mA / 75°C TA

## INSTALLATION FEATURES

- Detailed shop drawings
- Australian made
- Supplied 100% pre-built
- Snap fit gear tray with integrated driver
- Plug and Play wire looms
- Sprung loaded control joints
- 5 year warranty
- 10 year extended warranty optional
- Project specific labelling referencing type numbers
- Welded mitre joints eliminate light bleed

## LUMEN PERFORMANCE

### TRIDONIC LLE24 FIXED WHITE G5 LED (DIRECT / INDIRECT)

HE	350mA	16 W p/mtr	1578 lm p/mtr
HE	400mA	18 W p/mtr	1806 lm p/mtr
HE	450mA	21 W p/mtr	2011 lm p/mtr
HE	500mA	22 W p/mtr	2203 lm p/mtr
HO	350mA	30 W p/mtr	3145 lm p/mtr
HO	400mA	35 W p/mtr	3594 lm p/mtr
HO	450mA	39 W p/mtr	3969 lm p/mtr
HO	500mA	43 W p/mtr	4321 lm p/mtr

SYSTEM WATTAGE & EXIT LUMENS  
TESTED WITH OPAL V / WHITE FINISH / 4000K

## CONFIGURATOR

- FINISH:** White / Black / Silver
- CEILING PLATE FINISH:** White / Black
- CEILING PLATE TYPE:** Surface mounted / Recessed
- SUSPENSION TYPE:** 2m wire / 4m wire / White rod / Black rod
- LENS:** Opal V / Deglaring / Asymmetric / Narrow
- LED (DOWN):** HE / HO / Tunable white (2700K-6500K)
- CURRENT (DOWN):** 350mA / 400mA / 450mA / 500mA
- LED (UP):** HE / HO / Tunable white (2700K-6500K)
- CURRENT (UP):** 350mA / 400mA / 450mA / 500mA
- COLOUR TEMP:** 2700K / 3000K / 4000K
- CIRCUIT:** Single circuit / Dual circuit
- DIMMING:** Non Dim / DALI / DSI / Switch Dim

**NOTES:** MIN END CAP H 500MM  
MAX END CAP H 3250MM

PROJECT:

TYPE NO.:

QTY:

REV: 24/02/20

DARKON.COM.AU