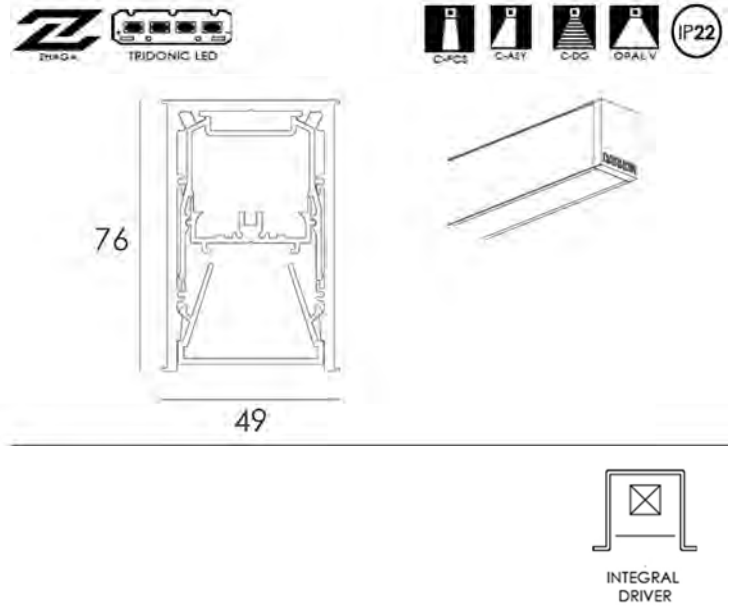


SLIM C WALL

WALL MOUNTED PROFILE

DARKON

THE EDGE OF LIGHT



DESIGN FEATURES

- Dot free homogeneous illumination.
- Screwless end caps.
- Multiple fixed output options.
- Multiple snap fit lens options.
- Zhaga compliant.
- Up to 105 exit lumens per system watt.
- 80+ or 90+ colour rendering.
- High colour tolerance - MacAdam 3.
- L80 / F10 = 72,000 hours @ 450mA / 75°C TA
- Complies with AS/NZS 60598.2.1

INSTALLATION FEATURES

- Detailed shop drawings.
- Australian made.
- Supplied 100% pre-built.
- Snap fit gear tray with integrated driver.
- Plug and play wire looms.
- Sprung loaded control joints
- 5 year warranty.
- 10 year extended warranty optional.
- Project specific labelling referencing type numbers.

LUMEN PERFORMANCE

TRIDONIC FIXED WHITE / EXIT LUMENS

| | | | |
|----|-------|---------------|------------|
| HE | 350mA | 1578 lm p/mtr | 16 W p/mtr |
| HE | 400mA | 1806 lm p/mtr | 18 W p/mtr |
| HE | 450mA | 2011 lm p/mtr | 21 W p/mtr |
| HE | 500mA | 2203 lm p/mtr | 22 W p/mtr |
| HO | 350mA | 3145 lm p/mtr | 30 W p/mtr |
| HO | 400mA | 3594 lm p/mtr | 35 W p/mtr |
| HO | 450mA | 3969 lm p/mtr | 39 W p/mtr |
| HO | 500mA | 4321 lm p/mtr | 43 W p/mtr |

Tested with white finish @ 4000K with opal v lens.

CONFIGURATOR

FINISH: Black / White / Silver

LENS: Opal V / Deglaring / Asymmetric / Narrow

LED: HE / HO / Tunable white (2700K-6500K)

CURRENT DOWN: 350 / 400 / 450 / 500mA

TEMP: 2700K / 3000K / 4000K

DIMMING: Non Dim / Dali Dim / Switch Dim / Dsi Dim

PROJECT:

REV: 17/02/2021

TYPE NO:

QTY:

DARKON.COM.AU