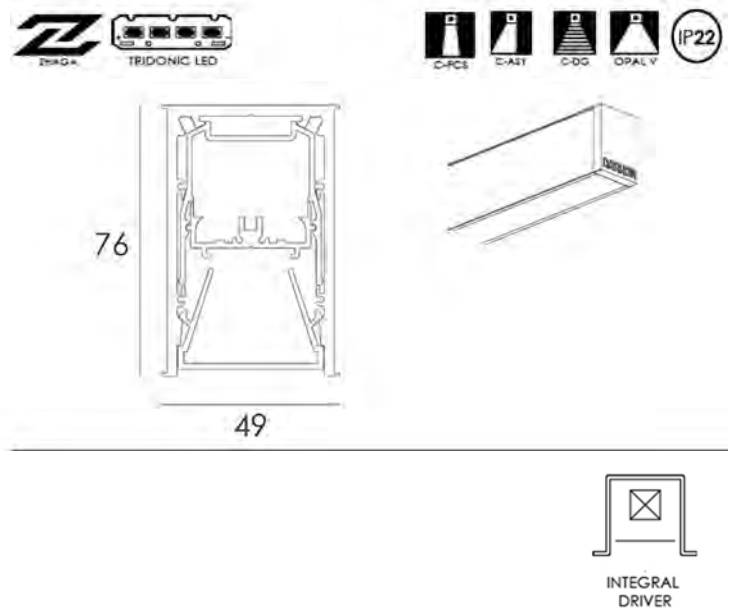


SLIM C SM

SURFACE MOUNTED PROFILE

DARKON

THE EDGE OF LIGHT



DESIGN FEATURES

- Dot free homogeneous illumination.
- Screwless end caps.
- Multiple fixed output options.
- Multiple snap fit lens options.
- Zhaga compliant.
- Up to 105 exit lumens per system watt.
- 80+ or 90+ colour rendering.
- High colour tolerance - MacAdam 3.
- L80 / F10 = 72,000 hours @ 450mA / 75°C TA
- Complies with AS/NZS 60598.2.1

INSTALLATION FEATURES

- Detailed shop drawings.
- Australian made.
- Supplied 100% pre-built.
- Snap fit gear tray with integrated driver.
- Plug and play wire looms.
- Sprung loaded control joints
- 5 year warranty.
- 10 year extended warranty optional.
- Project specific labelling referencing type numbers.

LUMEN PERFORMANCE

TRIDONIC FIXED WHITE / EXIT LUMENS

HE	350mA	1578 lm p/mtr	16 W p/mtr
HE	400mA	1806 lm p/mtr	18 W p/mtr
HE	450mA	2011 lm p/mtr	21 W p/mtr
HE	500mA	2203 lm p/mtr	22 W p/mtr
HO	350mA	3145 lm p/mtr	30 W p/mtr
HO	400mA	3594 lm p/mtr	35 W p/mtr
HO	450mA	3969 lm p/mtr	39 W p/mtr
HO	500mA	4321 lm p/mtr	43 W p/mtr

Tested with white finish @ 4000K with opal v lens.

CONFIGURATOR

FINISH: Black / White / Silver

LENS: Opal V / Deglaring / Asymmetric / Narrow

LED: HE / HO / Tunable white (2700K-6500K)

CURRENT DOWN: 350 / 400 / 450 / 500mA

TEMP: 2700K / 3000K / 4000K

DIMMING: Non Dim / Dali Dim / Switch Dim / Dsi Dim

PROJECT:

REV: 16/02/2021

TYPE NO:

QTY:

DARKON.COM.AU