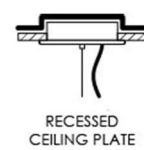
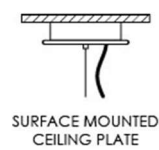
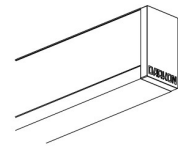
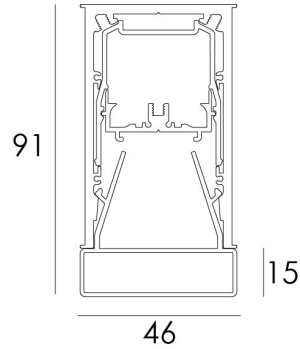


SLIM C CUBED SUS

SUSPENDED PROFILE

DARKON

THE EDGE OF LIGHT



DESIGN FEATURES

- Dot free homogeneous illumination
- Multiple fixed output options
- Zhaga compliant
- Up to 87 exit lumens per system watt
- 90+ colour rendering, 80+ available upon request
- High colour tolerance - MacAdam 3
- L80 / F10 = 72,000 hours @ 450mA / 75°C TA
- Complies with AS/NZS 60598.2.1
- Lap join milling - No Light Bleed

INSTALLATION FEATURES

- Detailed shop drawings
- Australian made
- Supplied 100% pre-built
- Snap fit gear tray with integrated driver
- Sprung loaded control joints
- 5 year warranty
- 10 year extended warranty optional
- Project specific labelling referencing type numbers
- Approximate fitting weight of 2.7 Kg per/m.
- Factory fitted "push to join" installation
- Only single body lengths available
- Miter joints are not available

LUMEN PERFORMANCE

TRIDONIC FIXED WHITE / EXIT LUMENS

HE CRI90	200mA	735 lm p/mtr	10 W p/mtr
HE CRI90	250mA	912 lm p/mtr	12 W p/mtr
HE CRI90	300mA	1085 lm p/mtr	14 W p/mtr
HE CRI90	350mA	1254 lm p/mtr	16 W p/mtr
HE CRI90	400mA	1419 lm p/mtr	19 W p/mtr
HE CRI90	450mA	1581 lm p/mtr	21 W p/mtr
HE CRI90	500mA	1747 lm p/mtr	23 W p/mtr
HO CRI90	200mA	1477 lm p/mtr	17 W p/mtr
HO CRI90	250mA	1822 lm p/mtr	21 W p/mtr
HO CRI90	300mA	2157 lm p/mtr	25 W p/mtr
HO CRI90	350mA	2482 lm p/mtr	30 W p/mtr
HO CRI90	400mA	2795 lm p/mtr	34 W p/mtr
HO CRI90	450mA	3040 lm p/mtr	38 W p/mtr
HO CRI90	500mA	3331 lm p/mtr	43 W p/mtr

Tested with white finish @ 4000K with Opal V lens.

CONFIGURATOR

FINISH: Black / White / Silver

CEILING PLATE FINISH: White / Black

CEILING PLATE TYPE: Surface mounted / Recessed

SUSPENSION TYPE: 2m wire / 4m wire / White rod / Black rod

LENS: Opal V

LED: HE / HO / Tunable white (2700K-6500K)

CURRENT: 200 / 250 / 300 / 350 / 400 / 450 / 500mA

TEMP: 2700K / 3000K / 4000K

DIMMING: Non dim / DALI dim / SwitchDIM / DSI dim / Casambi

PROJECT:

TYPE NO:

QTY:

REV: 6/12/2023

DARKON.COM.AU