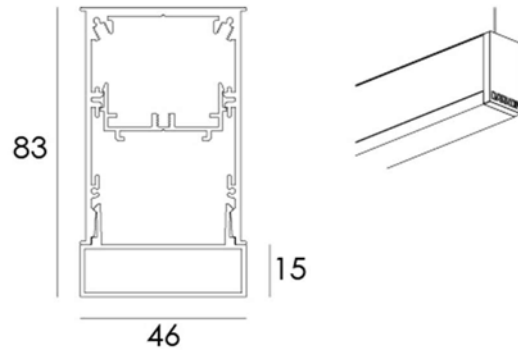


# SLIM C CUBED SM

SURFACE MOUNTED PROFILE

# DARKON

THE EDGE OF LIGHT



## DESIGN FEATURES

- Dot free homogeneous illumination.
- Screwless end caps.
- Multiple fixed output options.
- Zhaga compliant.
- Up to 88 exit lumens per system watt.
- 80+ or 90+ colour rendering.
- High colour tolerance - MacAdam 3.
- L80 / F10 = 72,000 hours @ 450mA / 75°C TA
- Complies with AS/NZS 60598.2.1

## INSTALLATION FEATURES

- Detailed shop drawings.
- Australian made.
- Supplied 100% pre-built.
- Snap fit gear tray with integrated driver.
- 5 year warranty.
- 10 year extended warranty optional.
- Project specific labelling referencing type numbers.
- Approximate fitting weight of 2.7 Kg per/m.
- Only single body lengths available.
- Miter joints are not available.

## LUMEN PERFORMANCE

### TRIDONIC FIXED WHITE / EXIT LUMENS

HE	350mA	1328 lm p/mtr	16 W p/mtr
HE	400mA	1520 lm p/mtr	18 W p/mtr
HE	450mA	1693 lm p/mtr	21 W p/mtr
HE	500mA	1854 lm p/mtr	23 W p/mtr
HO	350mA	2646 lm p/mtr	30 W p/mtr
HO	400mA	3024 lm p/mtr	35 W p/mtr
HO	450mA	3340 lm p/mtr	39 W p/mtr
HO	500mA	3637 lm p/mtr	43 W p/mtr

Tested with white finish @ 4000K with opal v lens.

## CONFIGURATOR

**FINISH:** Black / White / Silver

**LENS:** Opal V

**LED:** HE / HO / Tunable white (2700K-6500K)

**CURRENT DOWN:** 350 / 400 / 450 / 500mA

**TEMP:** 2700K / 3000K / 4000K

**DIMMING:** Non Dim / Dali Dim / Switch Dim / Dsi Dim

PROJECT:

REV: 27/01/2022

TYPE NO:

QTY:

DARKON.COM.AU