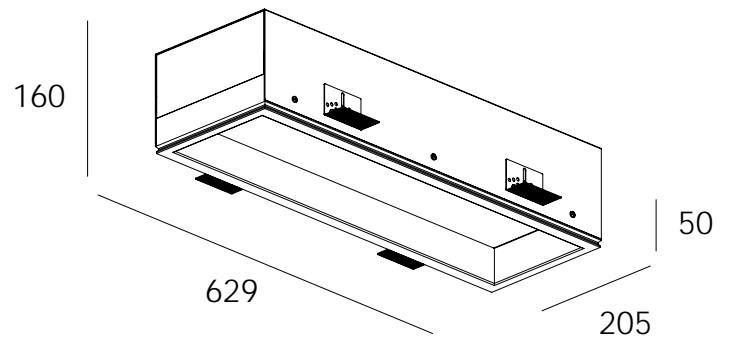
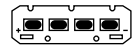


SILENT P RECTANGLE LED^{GEN2}

RECESSED LUMINAIRES

DARKONTM
THE EDGE OF LIGHT

IP22 LED



Silent P Rectangle is a plaster luminaire designed to be completely seamless once installed into a plaster ceiling. Features include a removable opal lens and integral driver. Please note, stopping up over gap and painting is required.

CUT OUT



630mm x 206mm

SPECIFICATIONS

COLOUR

WHITE GYPSUM PLASTER

LAMP

TRIDONIC STARK LLE 250mA HE/HO

OUTPUT

TBA W / TBA lm

COLOUR TEMP

3000K / 4000K

DIMMING

DALI / DSI / SWITCH DIM

MOUNTING OPTIONS

REC

CODE NAME

NAME:

SILENT P RECTANGLE LED

WATTAGE:

TBA W

COLOUR TEMP:

3K

4K

DIMMING:

NON DIM

DIM

FLEX:

NO PLUG

FLEX & PLUG

EXAMPLE CODE NAME

SILENT P RECTANGLE / WHT / TBA W / 3K / DIM / FLEX & PLUG

PROJECT:

LUMINAIRE REF:

QTY:

SPECIFIER DETAILS: