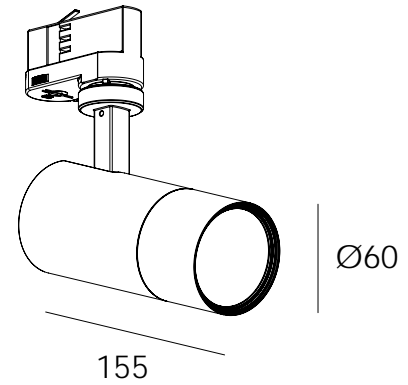


IP22 LED



SIEGE is a track spot light with a pivoting head and 360° of lateral rotation. The LED with on board driver is available in three different beam spread options to suit your project requirements.

SPECIFICATIONS

COLOUR

WHITE / BLACK

LAMP

LUMINUS LED ENGINE

OUTPUT

12.7W 250mA 866lm

NOTE: SYSTEM WATTAGE / EXIT LUMENS AT 3000K, 15°

COLOUR TEMP

3000K / 4000K

OPTICS

15° / 24° / 36° / DIFFUSED

DIMMING

240V LEADING + TRAILING EDGE PHASE DIM

REQUIRED

THREE CIRCUIT TRACK / DALI TRACK

MOUNTING OPTIONS

TRACK / REC / SR / SM / SUS

CODE NAME

NAME:

SIEGE

COLOUR:

WHT BLK

WATTAGE:

12.7W

COLOUR TEMP:

3K 4K

OPTICS:

15° 24° 36° DIFF°

DIMMING:

NON DIM PHASE DIM

EXAMPLE CODE NAME

SIEGE / WHT / 12.7W / 3K / 24° / PHASE DIM

PROJECT:

LUMINAIRE REF:

QTY:

SPECIFIER DETAILS:

REVISION: 01/07/20

DARKON.COM.AU