

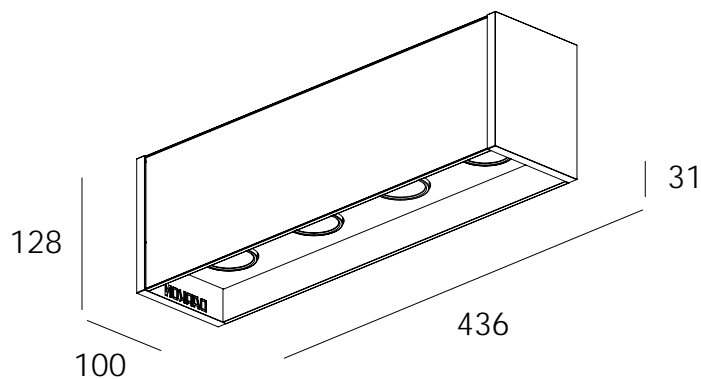
QUAD DOWN SM

SURFACE MOUNTED LUMINAIRES

DARKON

THE EDGE OF LIGHT

IP22 LED



Double Down SM is a surface mounted luminaire. The internal blind cover can be coloured to match its body or in contrast as an architectural feature. Available in single, double, triple and quad configurations.

SPECIFICATIONS

TRIM COLOUR

WHITE / BLACK

INTERNAL COLOUR

WHITE / BLACK

LAMP

TRIDONIC SLE G6 10MM LED ENGINE

OUTPUT

4x 11.6W / 250mA / 4x 940lm

4x 16.0W / 350mA / 4x 1,234lm

NOTE: SYSTEM WATTAGE / EXIT LUMENS @ 50° / 4K

COLOUR TEMP

3000K / 4000K

OPTICS

24° / 32° / 50°

DIMMING

DALI (2x DRIVER)

240V LEADING + TRAILING EDGE PHASE DIM (4x DRIVER)

REQUIRED

REMOTE DRIVER

MOUNTING OPTIONS

REC / SR / SM

CODE NAME

NAME:

QUAD DOWN SM

COLOUR TRIM:

WHT BLK

COLOUR INT:

WHT BLK

WATTAGE:

4x 11.6W 4x 16.0W

COLOUR TEMP:

3K 4K

OPTICS:

24° 32° 50°

DIMMING:

DALI DIM PHASE DIM

FLEX:

NO PLUG FLEX & PLUG

EXAMPLE CODE NAME

QUAD DOWN / WHT / BLK / 4x 16.0W / 3K / 50° / DALI DIM / FLEX & PLUG

PROJECT:

LUMINAIRE REF:

QTY:

SPECIFIER DETAILS:

REV: 25/07/18

DARKON.COM.AU