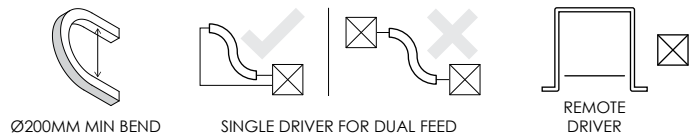
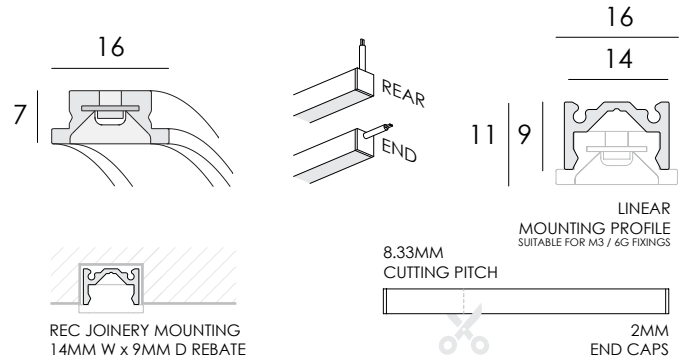
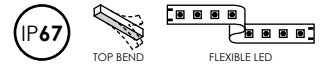


NEON T1607

FLEXIBLE SILICONE LED

DARKON

THE EDGE OF LIGHT



DESIGN FEATURES

- In-house length customisation
- In-house moulded end caps
- IP67 ingress protection
- Minimum bend radius of 100mm [200mm diameter]
- Vertical bending in relation to illuminated face
- Dot free homogeneous illumination
- Dust free matt finish
- Trim for joinery mounting
- Up to 107 exit lumens per system watt
- 90+ colour rendering
- Max length 5 meters with single power feed
- Max length doubles with dual power feed
- Use a single driver when powering Neon from both ends - Do not connect two drivers to the same length of Neon LED strip.
- UV protected
- Saltwater and solvent resistant
- Clipping profile produced in 3.1m lengths
- Complies with AS/NZS 60598.2.1
- 3 year warranty
- Project specific labelling referencing type numbers
- 50,000 hrs lifetime
- L70B50 > 50,000 hrs

LUMEN PERFORMANCE

24V 2835 LED

WHITE 11.5 W p/mtr 1228 lm p/mtr

LED WATTAGE & EXIT LUMENS [EXCLUDES DRIVER OVERHEAD]
WHITE LED TESTED AT 4000K

OPTIONS

COLOUR TEMP: 2700K / 3000K / 4000K
PROTECTION: IP67
FLEX: End / Rear
POWER FEED: Single / Dual
DRIVER: Non Dim / DALI Dim
MOUNTING PROFILE: Raw / White / Black / Custom

PROJECT:

TYPE NO.:

QTY:

REV: 13/05/26

DARKON.COM.AU