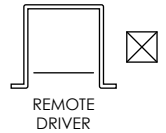
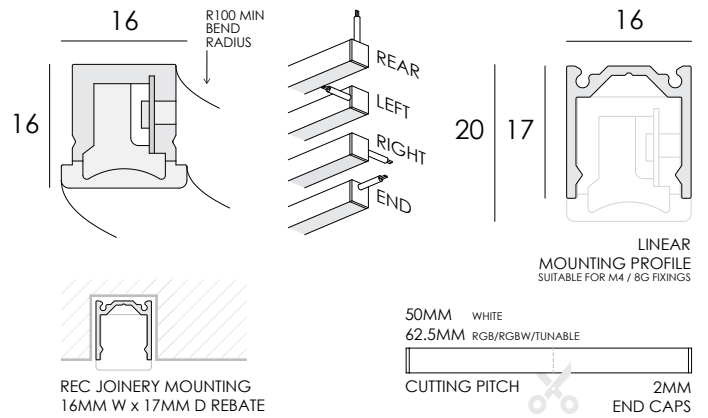
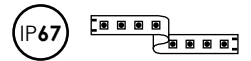


NEON S1616

FLEXIBLE SILICONE LED

DARKON

THE EDGE OF LIGHT



DESIGN FEATURES

- In-house length customisation
- In-house moulded end caps
- IP67 ingress protection
- Minimum bend radius of 100mm [200mm diameter]
- Sideways bending in relation to illuminated face
- Dot free homogeneous illumination
- Three sided diffused illumination
- Dust free matt finish
- Multiple fixed output options
- Up to 77 exit lumens per system watt
- 90+ colour rendering
- Max length of 10m (white) & 5m (TW / RGB/W) with single power feed
- Max length doubles with dual power feed
- Clipping profile produced in 3.1m lengths
- UV protected
- Saltwater and solvent resistant
- Complies with AS/NZS 60598.2.1
- 3 year warranty
- Project specific labelling referencing type numbers
- 50,000 hrs lifetime
- L70B50 > 50,000 hrs

LUMEN PERFORMANCE

24V 2835 LED

Output	Power (W p/mtr)	Lumen (lm p/mtr)	Length (m)
2700/3000/4000K (cc)	16.6	1285	10/20 (max L)
TW 2700-6500K (cv)	11.2	498	5/10 (max L)
RGB (cv)	17.5	375	5/10 (max L)
RGBW (cv)	18.0	472	5/10 (max L)

SYSTEM WATTAGE & EXIT LUMENS

WHITE LED TESTED AT 4000K

TUNABLE WHITE TESTED AT 4000K

RGB TESTED WITH ALL CHANNELS AT FULL OUTPUT

RGBW TESTED WITH 3000K, ALL CHANNELS AT FULL OUTPUT

OPTIONS

COLOUR:	2700K / 3000K / 4000K / TW / RGB / RGBW
PROTECTION:	IP67
FLEX:	End / Side / Rear
POWER FEED:	Single / Dual
DRIVER:	Non Dim / DALI Dim / DMX
MOUNTING PROFILE:	Raw / White / Black / Custom

PROJECT:

TYPE NO.:

QTY:

REV: 28/04/26

DARKON.COM.AU