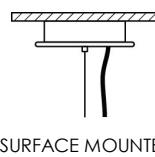
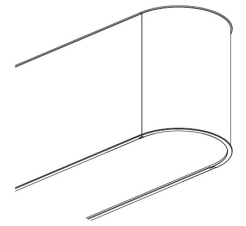
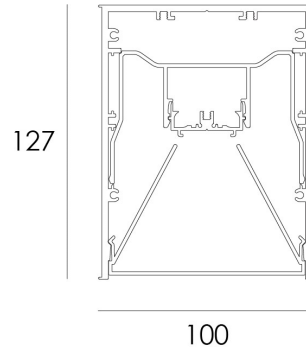
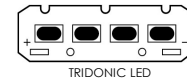


MRS T SOFT SUS

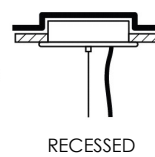
SUSPENDED PROFILE

DARKON

THE EDGE OF LIGHT



OR



DESIGN FEATURES

- Dot free homogeneous illumination
- Multiple fixed output options
- Up to 107 exit lumens per system watt
- High colour tolerance - MacAdam 3
- Complies with AS/NZS 60598.2.1
- Detailed shop drawings
- Supplied 100% pre-built
- Plug and play wire looms
- 5 year warranty
- Project specific labelling referencing type numbers
- Welded mitre joints eliminate light bleed
- Screwless end caps
- Zhaga compliant
- 90+ colour rendering, 80+ available upon request
- L80 / F10 = 72,000 hours @ 450mA / 75°C TA
- Lap join milling - No Light Bleed
- Australian made
- Snap fit gear tray with integrated driver
- Spring loaded control joints
- 10 year extended warranty optional
- Miter joints available
- Approximate fitting weight of 5.4 Kg per/m.

LUMEN PERFORMANCE

TRIDONIC FIXED WHITE / EXIT LUMENS

| | | | |
|----------|-------|---------------|------------|
| HE CRI90 | 200mA | 903 lm p/mtr | 10 W p/mtr |
| HE CRI90 | 250mA | 1120 lm p/mtr | 12 W p/mtr |
| HE CRI90 | 300mA | 1332 lm p/mtr | 14 W p/mtr |
| HE CRI90 | 350mA | 1540 lm p/mtr | 16 W p/mtr |
| HE CRI90 | 400mA | 1744 lm p/mtr | 18 W p/mtr |
| HE CRI90 | 450mA | 1943 lm p/mtr | 20 W p/mtr |
| HE CRI90 | 500mA | 2145 lm p/mtr | 23 W p/mtr |
| HO CRI90 | 200mA | 1807 lm p/mtr | 17 W p/mtr |
| HO CRI90 | 250mA | 2230 lm p/mtr | 21 W p/mtr |
| HO CRI90 | 300mA | 2641 lm p/mtr | 26 W p/mtr |
| HO CRI90 | 350mA | 3040 lm p/mtr | 30 W p/mtr |
| HO CRI90 | 400mA | 3422 lm p/mtr | 34 W p/mtr |
| HO CRI90 | 450mA | 3795 lm p/mtr | 38 W p/mtr |
| HO CRI90 | 500mA | 4173 lm p/mtr | 43 W p/mtr |

Tested with white finish / 4K / Opal V lens

OPTIONS

FINISH: Black / White / Silver / Gold / Custom

CEILING PLATE FINISH: White / Black

CEILING PLATE TYPE: Surface mounted / Recessed

SUSPENSION TYPE: 2m wire / 4m wire / White rod / Black rod

LENS: Opal V

LED: HE / HO / Tunable white

CURRENT: 200 / 250 / 300 / 350 / 400 / 450 / 500mA

TEMP: 2700K / 3000K / 4000K / (2700K-6500K)

DIMMING: Non dim / DALI dim / SwitchDIM / DSI dim / Casambi

PROJECT:

REV: 4/06/2025

TYPE NO:

QTY:

DARKON.COM.AU