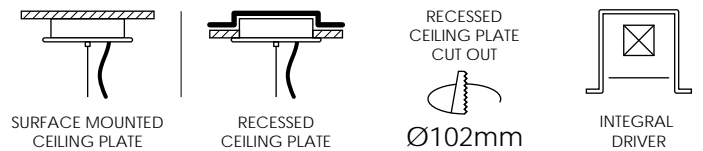
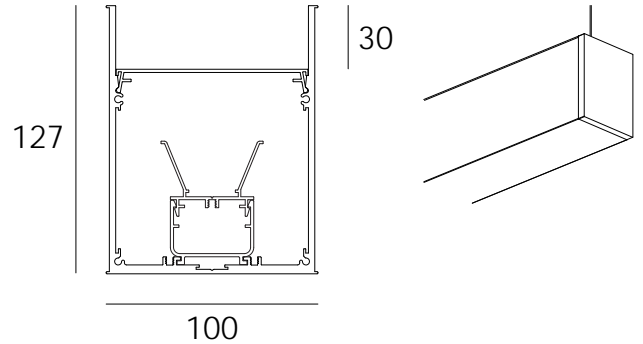


MRS.T REC-LENS UP SUS

SUSPENDED PROFILES

DARKON

THE EDGE OF LIGHT



DESIGN FEATURES

- Dot free homogeneous illumination
- Screwless end caps
- Multiple fixed output options
- Multiple snap fit lens options
- Zhaga compliant LED
- High exit lumens per watt
- 80+ or 90+ colour rendering
- High colour tolerance Macadam 3
- Complies with AS/NZS 60598.2.1
- L80 / F10 = 72,000 hours @ 450mA / 75°C TA

INSTALLATION FEATURES

- Detailed shop drawings
- Australian made
- Supplied 100% pre-built
- Snap fit gear tray with integrated driver
- Plug and Play wire looms
- Sprung loaded control joints
- 5 year warranty
- 10 year extended warranty optional
- Project specific labelling referencing type numbers
- Welded mitre joints eliminate light bleed

LUMEN PERFORMANCE

TRIDONIC LLE24 FIXED WHITE G5 LED

HE	350mA	16 W p/mtr	1342 lm p/mtr
HE	400mA	18 W p/mtr	1537 lm p/mtr
HE	450mA	21 W p/mtr	1711 lm p/mtr
HE	500mA	23 W p/mtr	1874 lm p/mtr
HO	350mA	30 W p/mtr	2676 lm p/mtr
HO	400mA	35 W p/mtr	3058 lm p/mtr
HO	450mA	39 W p/mtr	3376 lm p/mtr
HO	500mA	43 W p/mtr	3676 lm p/mtr

SYSTEM WATTAGE & EXIT LUMENS
TESTED WITH OPAL V / WHITE FINISH / 4000K

CONFIGURATOR

- FINISH:** White / Black / Silver
CEILING PLATE FINISH: White / Black
CEILING PLATE TYPE: Surface mounted / Recessed
SUSPENSION TYPE: 2m wire / 4m wire / White rod / Black rod
LENS: Opal V / Deglaring / Asymmetric / Narrow
LED: HE / HO / Tunable white (2700K-6500K)
CURRENT: 350mA / 400mA / 450mA / 500mA
COLOUR TEMP: 2700K / 3000K / 4000K
DIMMING: Non Dim / DALI / DSI / Switch Dim

PROJECT:

TYPE NO.:

QTY:

REV: 24/02/20

DARKON.COM.AU