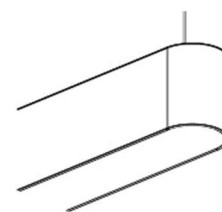
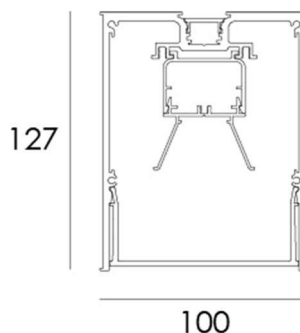


# MRS T G SOFT WALL

WALL MOUNTED PROFILE

# DARKON

THE EDGE OF LIGHT



INTEGRAL DRIVER

## DESIGN FEATURES

- Dot free homogeneous illumination
- Screwless end caps
- Multiple fixed output options
- Zhaga compliant
- 80+ or 90+ colour rendering
- High colour tolerance - MacAdam 3
- L80 / F10 = 72,000 hours @ 450mA / 75°C TA
- Complies with AS/NZS 60598.2.1

## INSTALLATION FEATURES

- Detailed shop drawings
- Australian made
- Supplied 100% pre-built
- Snap fit gear tray with integrated driver
- Plug and play wire looms
- 5 year warranty
- 10 year extended warranty optional
- Project specific labelling referencing type numbers
- Miter joints available
- Welded mitre joints eliminate light bleed

## LUMEN PERFORMANCE

### TRIDONIC FIXED WHITE / EXIT LUMENS (DIRECT)

HE	350mA	1413 lm p/mtr
HE	400mA	1617 lm p/mtr
HE	450mA	1802 lm p/mtr
HE	500mA	1973 lm p/mtr
HO	350mA	2817 lm p/mtr
HO	400mA	3218 lm p/mtr
HO	450mA	3555 lm p/mtr
HO	500mA	3870 lm p/mtr

### TRIDONIC FIXED WHITE / EXIT LUMENS (INDIRECT)

HE	200mA	1478 lm p/mtr
HE	250mA	1824 lm p/mtr
HE	300mA	2184 lm p/mtr
HE	350mA	2502 lm p/mtr
HE	400mA	2850 lm p/mtr
HE	450mA	3150 lm p/mtr
HE	500mA	3440 lm p/mtr

Tested with white finish @ 4000K with opal v lens.

## CONFIGURATOR

<b>FINISH:</b> Black / White
<b>LENS DOWN:</b> Opal V
<b>LENS UP:</b> Opal V
<b>LED DOWN:</b> HE / HO / Tunable white (2700K-6500K)
<b>CURRENT DOWN:</b> 350 / 400 / 450 / 500mA
<b>LED UP:</b> HE
<b>CURRENT UP:</b> 200 / 250 / 300 / 350 / 400 / 450 / 500mA
<b>TEMP:</b> 2700K / 3000K / 4000K
<b>UP / DOWN:</b> Single control / Separately controlled
<b>DIMMING:</b> Non dim / DALI / SwitchDIM / DSI

PROJECT:

TYPE NO:

QTY:

REV: 18/11/2022

DARKON.COM.AU