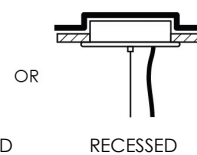
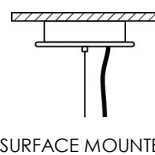
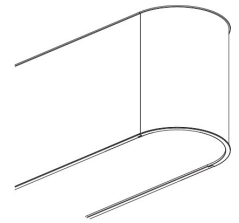
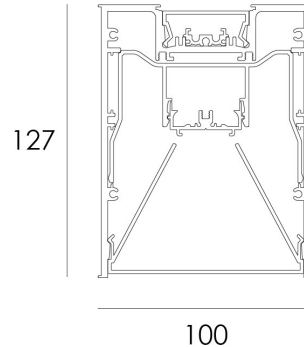
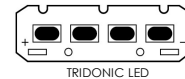


MRS T G SOFT SUS

SUSPENDED PROFILE

DARKON
THE EDGE OF LIGHT



DESIGN FEATURES

- Dot free homogeneous illumination
- Zhaga compliant
- 90+ colour rendering, 80+ available upon request
- L80 / F10 = 72,000 hours @ 450mA / 75°C TA
- Lap joint milling - No Light Bleed
- Australian made
- Snap fit gear tray with integrated driver
- Spring loaded control joints
- 10 year extended warranty optional
- Miter joints available
- Approximate fitting weight of 6.5 Kg per/m.
- Multiple fixed output options
- Up to 107 exit lumens per system watt
- High colour tolerance - MacAdam 3
- Complies with AS/NZS 60598.2.1
- Detailed shop drawings
- Supplied 100% pre-built
- Plug and play wire looms
- 5 year warranty
- Project specific labelling referencing type numbers
- Welded mitre joints eliminate light bleed

LUMEN PERFORMANCE

TRIDONIC FIXED WHITE / EXIT LUMENS (DIRECT)

HE CRI90	200mA	903 lm p/mtr	10 W p/mtr
HE CRI90	350mA	1540 lm p/mtr	16 W p/mtr
HE CRI90	500mA	2145 lm p/mtr	23 W p/mtr
HO CRI90	200mA	1807 lm p/mtr	17 W p/mtr
HO CRI90	350mA	3040 lm p/mtr	30 W p/mtr
HO CRI90	500mA	4173 lm p/mtr	43 W p/mtr

TRIDONIC FIXED WHITE / EXIT LUMENS (INDIRECT)

HE CRI90	200mA	1593 lm p/mtr	14 W p/mtr
HE CRI90	350mA	2703 lm p/mtr	23 W p/mtr
HE CRI90	500mA	3727 lm p/mtr	34 W p/mtr

Tested with white finish / 4K / Opal V lens

OPTIONS

FINISH: Black / White / Silver / Gold / Custom

CEILING PLATE FINISH: White / Black

CEILING PLATE TYPE: Surface mounted / Recessed

SUSPENSION TYPE: 2m wire / 4m wire

LENS DOWN: Opal V

LENS UP: Opal V

LED DOWN: HE / HO / Tunable white

CURRENT DOWN: 200 / 250 / 300 / 350 / 400 / 450 / 500mA

LED UP: HE

CURRENT UP: 200 / 250 / 300 / 350 / 400 / 450 / 500mA

TEMP: 2700K / 3000K / 4000K / (2700K-6500K)

UP / DOWN: Single control / Separately controlled

DIMMING: Non dim / DALI dim / SwitchDIM / DSI dim / Casambi

PROJECT:

REV: 3/12/2025

TYPE NO:

QTY:

DARKON.COM.AU