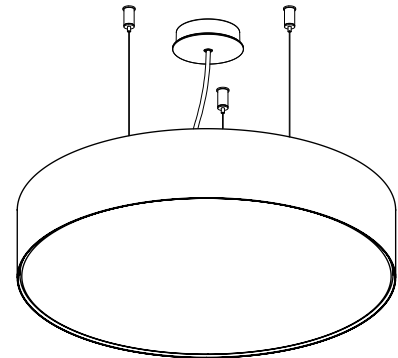
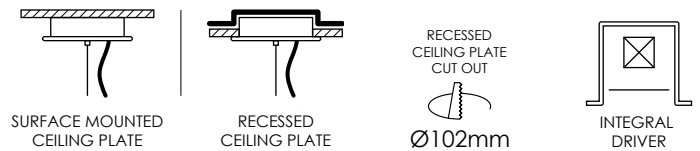


123



Ø602 / 902



DESIGN FEATURES

- Opal diffuser for low glare applications
- Minimal trim for a 'trim-less' appearance
- 105 exit lumens per system watt
- 80+ colour rendering
- High colour tolerance Macadam 3
- Complies with AS/NZS 60598.2.1
- L80 / F10 = 72,000 hours @ 350mA / 65°C TP
- L80 / F10 = 72,000 hours @ 450mA / 65°C TP

INSTALLATION FEATURES

- Removable internal assembly for ease of maintenance
- Australian designed and assembled
- Supplied 100% pre-built
- 5 year warranty
- 10 year extended warranty optional
- Project specific labelling referencing type numbers
- Easy to follow install guide

LUMEN PERFORMANCE

TRIDONIC CLE QUADRANT G3 ADV LED

600:	250mA	33.7 W	3540 lm
600:	350mA	47.4 W	4930 lm
900:	450mA	58.7 W	6175 lm
900:	550mA	71.8 W	7454 lm

SYSTEM WATTAGE / EXIT LUMENS 4000K

OPTIONS

- SIZE:** 600 / 900
- FINISH:** White / Black
- CURRENT:** 250mA / 350mA / 450mA / 550mA
- COLOUR TEMP:** 3000K / 4000K
- DIMMING:** Non Dim / DALI / DSI / Switch Dim
- FLEX:** Flex & plug / No flex & plug