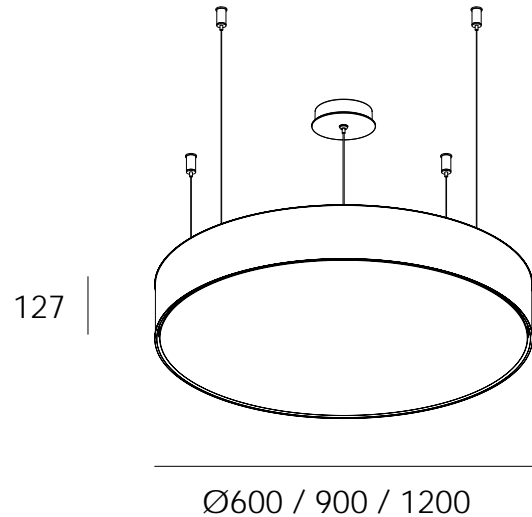
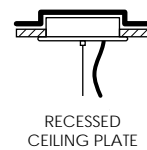
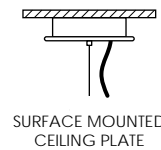


IP22 LED  



MRS.C SUS is a suspended luminaire with integrated driver and large matte opal lens for diffused light distribution and reduced glare. It utilises Tridonic Quadrant Circular Light Engine technology for efficient high output illumination.



SPECIFICATIONS

COLOUR EXTERNAL

WHITE / BLACK

LAMP

TRIDONIC CLE Quadrant G2

OUTPUT

600: HE / 28.8W / 225mA / 3,024lm

900: HE / 54.8W / 450mA / 6,072lm

1200: HE / 98.0W / 250+450mA / 10,968lm

NOTE: SYSTEM WATTAGE / EXIT LUMENS @ 4K

COLOUR TEMP

3000K / 4000K

DIMMING

DALI / DSI / SWITCH DIM

SUSPENSION

2M OR 4M HEIGHT ADJUSTABLE SUSPENSION

MOUNTING OPTIONS

SM / SUS

CODE NAME

NAME:

MRS.C

SIZE:

600

900

1200

MOUNTING:

SUS

COLOUR:

WHT

BLK

CEILING PLATE:

WHT SM

BLK SM

WHT REC

BLK REC

WATTAGE:

HE

COLOUR TEMP:

3K

4K

DIMMING:

NON DIM

DALI DIM

EXAMPLE CODE NAME

MRS.C / 900 / SUS / WHT / WHT SM / HE / 3K / DALI DIM

PROJECT:

LUMINAIRE REF:

QTY:

SPECIFIER DETAILS:

REV: 07/02/18

DARKON.COM.AU