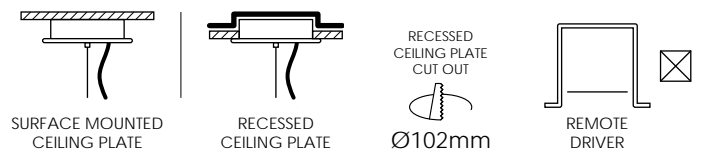
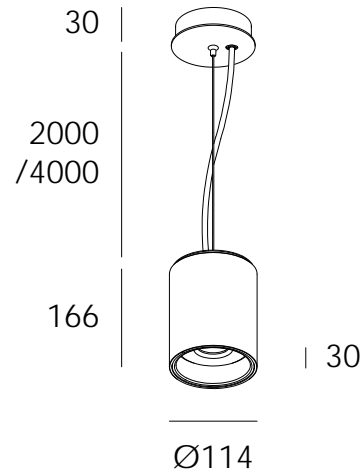
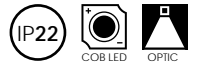


HUNG DEEP SLA

SUSPENDED LUMINAIRES

DARKON

THE EDGE OF LIGHT



DESIGN FEATURES

- Recessed lamp for low glare applications
- Suspended tube accessory allows for dual tone finish
- Universal MR16 lamp mounting
- 104 lumens per watt (lamp flux)
- 90+ colour rendering
- High colour tolerance Macadam 3
- Complies with AS/NZS 60598.2.1
- L80 / B10 = 25,000 hours @ 250mA / 75°C TP (8.8W)
- L80 / B10 = 50,000 hours @ 350mA / 75°C TP (12.2W)

INSTALLATION FEATURES

- Standard hole saw cut out
- Removable internal assembly for easy maintenance
- Australian designed and assembled
- Supplied 100% pre-built
- 5 year warranty
- 10 year extended warranty optional
- Project specific labelling referencing type numbers
- Easy to follow install guide

LUMEN PERFORMANCE

TRIDONIC SLA DC G2 50mm LED

250mA 8.8 W 890 lm
350mA 12.2 W 1270 lm

RAW LAMP FLUX AT 36° / 4000K

OPTIONS

- FINISH EXT:** White / Black
- FINISH INT:** White / Black
- CEILING PLATE FINISH:** White / Black
- CEILING PLATE TYPE:** Surface mounted / Recessed
- SUSPENSION TYPE:** 2m wire / 4m wire
- CURRENT:** 250mA / 350mA
- COLOUR TEMP:** 2700K / 3000K / 4000K
- OPTIC:** 24° / 36°
- DIMMING:** Non Dim / DALI / DSI / Switch Dim
- FLEX:** Flex & plug / No flex & plug
- NOTE:** Also available without lamp

PROJECT:

TYPE NO.:

QTY:

REV: 23/09/21

DARKON.COM.AU