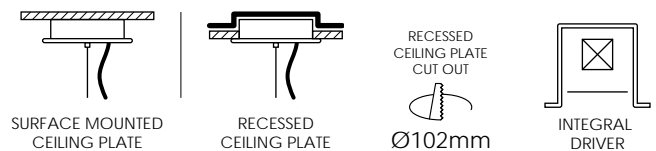
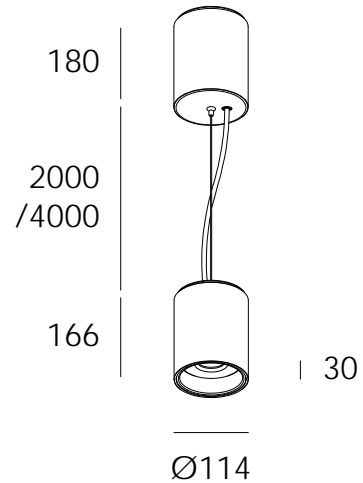
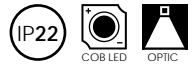


HUNG DEEP IT

SUSPENDED LUMINAIRES

DARKON

THE EDGE OF LIGHT



DESIGN FEATURES

- Recessed lamp for low glare applications
- Suspended tube accessory allows for dual tone finish
- Integral driver ideal for ceilings with no cavity
- COB LED achieves a single light source appearance
- Height adjustable suspension in 2m and 4m length
- Up to 95 exit lumens per system watt
- 80+ colour rendering
- High colour tolerance Macadam 3
- Complies with AS/NZS 60598.2.1
- L80 / B10 = 55,000 hours @ 250mA / 65°C TP
- L80 / B10 = 55,000 hours @ 350mA / 65°C TP

INSTALLATION FEATURES

- Surface mounted or recessed ceiling plate
- Standard hole saw cut out
- Removable internal assembly for easy maintenance
- Australian designed and assembled
- Supplied 100% pre-built
- 5 year warranty
- 10 year extended warranty optional
- Project specific labelling referencing type numbers
- Easy to follow install guide

LUMEN PERFORMANCE

TRIDONIC SLE 09MM G7 ADV LED

250mA 10.4 W 989 lm
350mA 14.2 W 1312 lm

SYSTEM WATTAGE / EXIT LUMENS @ 50° / 4000K

OPTIONS

- FINISH EXT:** White / Black
FINISH INT: White / Black
CEILING PLATE FINISH: White / Black
CEILING PLATE TYPE: Surface mounted / Recessed
SUSPENSION TYPE: 2m wire / 4m wire
CURRENT: 250mA / 350mA
COLOUR TEMP: 3000K / 4000K
OPTIC: 24° / 32° / 50°
DIMMING: Non Dim / Phase Dim / DALI / DSI / Switch Dim
FLEX: Flex & plug / No flex & plug

PROJECT:

TYPE NO.:

QTY:

REV: 30/09/21

DARKON.COM.AU