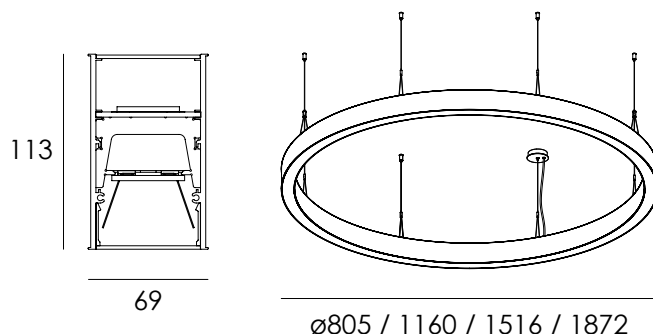
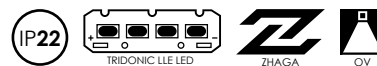


HIP H LP RADII RING SUS

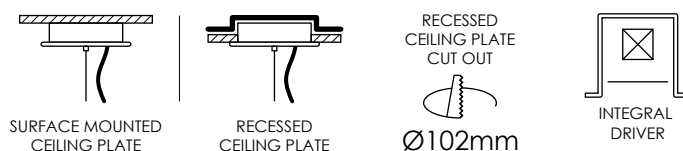
SUSPENDED PROFILES

DARKON

THE EDGE OF LIGHT



RINGS ARE FABRICATED FROM MULTIPLE PIECES & WELDED TOGETHER FOR A SEAMLESS FINISH.
CUSTOM SIZE REQUIRES TOOLING FEE.



DESIGN FEATURES

- Custom sizes available with tooling fee
- Dot free homogeneous illumination
- Multiple fixed output options
- Zhaga compliant LED
- Up to 112 exit lumens per system watt
- 90+ colour rendering, 80+ available upon request
- High colour tolerance Macadam 3
- Complies with AS/NZS 60598.2.1
- L80 / F10 = 72,000 hours @ 450mA / 75°C TA
- Detailed shop drawings
- Australian made
- Supplied 100% pre-built
- Plug and Play wire looms
- 5 year warranty
- 10 year extended warranty optional
- Project specific labelling referencing type numbers

LUMEN PERFORMANCE

TRIDONIC LLE24 FIXED WHITE LED [DIRECT]

HE	200mA	10 W p/mtr	946 lm p/mtr
HE	250mA	12 W p/mtr	1173 lm p/mtr
HE	300mA	14 W p/mtr	1396 lm p/mtr
HE	350mA	16 W p/mtr	1614 lm p/mtr
HE	400mA	18 W p/mtr	1828 lm p/mtr
HE	450mA	201 W p/mtr	2036 lm p/mtr
HE	500mA	23 W p/mtr	2248 lm p/mtr
HO	200mA	17 W p/mtr	1893 lm p/mtr
HO	350mA	30 W p/mtr	3186 lm p/mtr
HO	500mA	43 W p/mtr	4374 lm p/mtr

TRIDONIC LLE24 FIXED WHITE LED [INDIRECT]

HE	200mA	10 W p/mtr	995 lm p/mtr
HE	350mA	16 W p/mtr	1697 lm p/mtr
HO	200mA	17 W p/mtr	1990 lm p/mtr
HO	350mA	30 W p/mtr	3349 lm p/mtr

SYSTEM WATTAGE & EXIT LUMENS
TESTED WITH OPAL V / WHITE FINISH / 4000K

OPTIONS

- FINISH:** White / Black
CEILING PLATE FINISH: White / Black
CEILING PLATE TYPE: Surface Mounted / Recessed
SUSPENSION TYPE: 2m Wire / 4m Wire
LENS DOWN: Opal V
LENS UP: Opal V
LED DOWN: HE / HO / Tunable White
CURRENT DOWN: 200 / 250 / 300 / 350 / 400 / 450 / 500mA
LED UP: HE / HO / Tunable White
CURRENT UP: 200 / 250 / 300 / 350 / 400 / 450 / 500mA
COLOUR TEMP: 2700K / 3000K / 4000K / (2700K-6500K)
UP/DOWN: Single Control / Separately Controlled
DIMMING: Non Dim / DALI / DSI / Switch Dim / Casambi
- NOTES:** Ø805MM REQUIRES REMOTE DRIVER

PROJECT:

TYPE NO.:

QTY:

REV: 12/05/26

DARKON.COM.AU