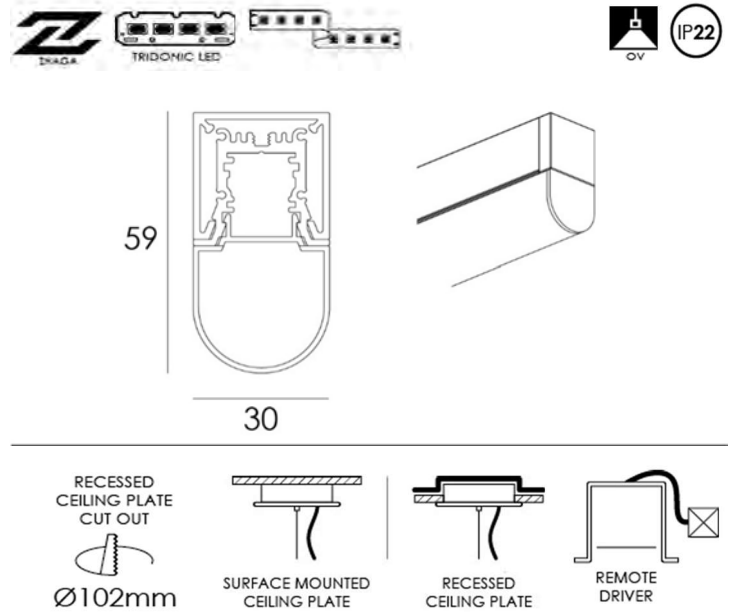


# GRAZER TUBE SUS

SUSPENDED PROFILE

# DARKON

THE EDGE OF LIGHT



## DESIGN FEATURES

- Dot free homogeneous illumination
- Screwless end caps
- Multiple fixed output options
- Up to 89 exit lumens per system watt
- 80+ or 90+ colour rendering
- High colour tolerance - MacAdam 3
- Complies with AS/NZS 60598.2.1

## INSTALLATION FEATURES

- Detailed shop drawings
- Australian made
- Supplied 100% pre-built
- 5 year warranty
- 10 year extended warranty optional
- Project specific labelling referencing type numbers
- Approximate fitting weight of 1.2 Kg per/m.
- Miter joints are not available

## LUMEN PERFORMANCE

### TRIDONIC FIXED WHITE / EXIT LUMENS

HE	200mA	1154 lm p/mtr	13 W p/mtr
HE	250mA	1424 lm p/mtr	16 W p/mtr
HE	300mA	1706 lm p/mtr	20 W p/mtr
HE	350mA	1954 lm p/mtr	23 W p/mtr
HE	400mA	2225 lm p/mtr	26 W p/mtr
HE	450mA	2459 lm p/mtr	30 W p/mtr
HE	500mA	2686 lm p/mtr	33 W p/mtr

### DPAL TAPE / EXIT LUMENS

DPAL20	24V	Pending test results
DPAL60	24V	Pending test results

Tested with white finish @ 4000K with opal v lens.

## CONFIGURATOR

**INT FINISH:** Black / White / Silver

**EXT FINISH:** Black / White / Silver

**CEILING PLATE FINISH:** White / Black

**CEILING PLATE TYPE:** Surface mounted / Recessed

**SUSPENSION TYPE:** 2m wire / 4m wire

**LENS:** Opal V

**LED:** HE / DPAL20 / DPAL60 / RGBW HE / RGBW HO

**CURRENT DOWN:** 200 / 250 / 300 / 350 / 400 / 450 / 500mA

**HE TEMP:** 2700K / 3000K / 4000K

**DPAL TEMP:** 3000K / 4000K

**DIMMING:** Non dim / DALI / SwitchDIM / DSI

PROJECT:

TYPE NO:

QTY:

REV: 4/04/2022

DARKON.COM.AU