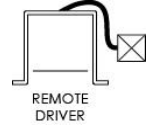
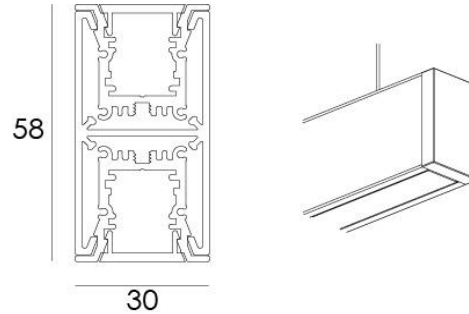


GRAZER H SUS

SUSPENDED PROFILE

DARKON

THE EDGE OF LIGHT



DESIGN FEATURES

- Dot free homogeneous illumination.
- Screwless end caps.
- Multiple fixed output options.
- Up to 88 exit lumens per system watt.
- 80+ or 90+ colour rendering.
- High colour tolerance - MacAdam 3.
- Complies with AS/NZS 60598.2.1

INSTALLATION FEATURES

- Detailed shop drawings.
- Australian made.
- Supplied 100% pre-built.
- 5 year warranty.
- 10 year extended warranty optional.
- Project specific labelling referencing type numbers.
- Miter joints available on request.
- Welded mitre joints eliminate light bleed.

LUMEN PERFORMANCE

TRIDONIC FIXED WHITE / EXIT LUMENS (DIRECT / INDIRECT)

HE	200mA	1145 lm p/mtr	13 W p/mtr
HE	250mA	1415 lm p/mtr	16 W p/mtr
HE	300mA	1693 lm p/mtr	20 W p/mtr
HE	350mA	1940 lm p/mtr	23 W p/mtr
HE	400mA	2210 lm p/mtr	26 W p/mtr
HE	450mA	2442 lm p/mtr	30 W p/mtr
HE	500mA	2667 lm p/mtr	33 W p/mtr

Tested with white finish @ 4000K with opal v lens.

CONFIGURATOR

INT FINISH: Black / White / Silver

EXT FINISH: Black / White / Silver

CEILING PLATE FINISH: White / black

CEILING PLATE TYPE: Surface mounted / Recessed

SUSPENSION TYPE: 2m wire / 4m wire

DOWN LENS: Opal V

LED DOWN: HE

CURRENT DOWN: 200 / 250 / 300 / 350 / 400 / 450 / 500mA

LED UP: HE

CURRENT UP: 200 / 250 / 300 / 350 / 400 / 450 / 500mA

TEMP: 2700K / 3000K / 4000K

CIRCUIT: Single circuit / Dual circuit

DIMMING: Non Dim / Dali Dim / Switch Dim / Dsi Dim

PROJECT:

TYPE NO:

QTY:

REV: 17/02/2020

DARKON.COM.AU