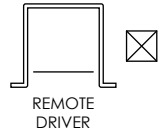
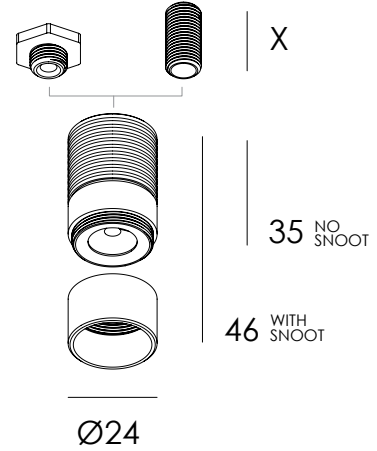


DRAGON EYE SM

SURFACE MOUNTED LUMINAIRES

DARKON

THE EDGE OF LIGHT



DESIGN FEATURES

- CNC machined aluminium housing
- Snoot accessory for low glare applications
- COB LED with optic achieves a single light source appearance
- Designed for M10x1 mechanical fixing to various substrates
- Longer M10x1 fixings available to suit most applications
- Multiple outputs available
- Up to 118 exit lumens per watt based on MAX fittings per driver
- 80+ colour rendering
- Wired in series from a single or shared driver
- Supplied with 300mm tails
- Australian designed and assembled
- Supplied 100% pre-built
- 5 year warranty
- 10 year extended warranty optional
- Project specific labelling referencing type numbers
- Complies with AS/NZS 60598.2.1

LUMEN PERFORMANCE

CREE XP-G3 LED

350mA	1.0 W	133 lm
500mA	1.5 W	183 lm
700mA	2.1 W	243 lm
1050mA	3.3 W	330 lm

LUMINAIRE WATTAGE / EXIT LUMENS @ 14° / 3000K / NO SNOOT

OPTIONS

- FINISH:** White / Black / Raw / Custom
- CURRENT:** 350mA / 500mA / 700mA / 1050mA
- OPTIC:** 14° / 36°
- ACCESSORY:** Snoot / No Snoot
- FIXING:** Nut / M10x1 Thread
- COLOUR TEMP:** 2700K / 3000K
- DIMMING:** DALI Dim

PROJECT:

TYPE NO.:

QTY:

REV: 05/09/24

DARKON.COM.AU