

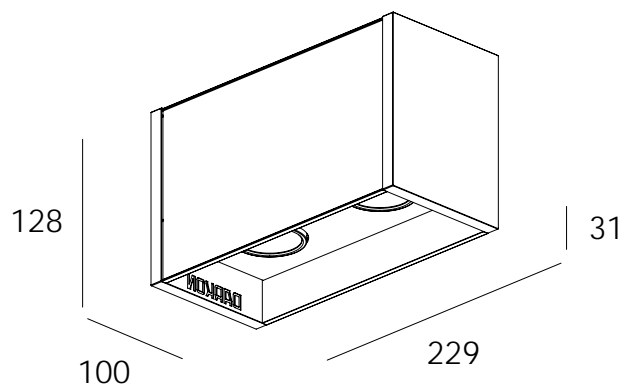
# DOUBLE DOWN SM

SURFACE MOUNTED LUMINAIRES

# DARKON

THE EDGE OF LIGHT

IP22 LED



Double Down SM is a surface mounted luminaire. The internal blind cover can be coloured to match its body or in contrast as an architectural feature. Available in single, double, triple and quad configurations.

## SPECIFICATIONS

### TRIM COLOUR

WHITE / BLACK

### INTERNAL COLOUR

WHITE / BLACK

### LAMP

TRIDONIC SLE G6 10MM LED ENGINE

### OUTPUT

2x 11.6W / 250mA / 2x 940lm

2x 16.0W / 350mA / 2x 1,234lm

NOTE: SYSTEM WATTAGE / EXIT LUMENS @ 50° / 4K

### COLOUR TEMP

3000K / 4000K

### OPTICS

24° / 32° / 50°

### DIMMING

DALI (1x DRIVER)

240V LEADING + TRAILING EDGE PHASE DIM (2x DRIVER)

### REQUIRED

REMOTE DRIVER

### MOUNTING OPTIONS

REC / SR / SM

## CODE NAME

### NAME:

DOUBLE DOWN SM

### COLOUR TRIM:

WHT  BLK

### COLOUR INT:

WHT  BLK

### WATTAGE:

2x 11.6W  2x 16.0W

### COLOUR TEMP:

3K  4K

### OPTICS:

24°  32°  50°

### DIMMING:

DALI DIM  PHASE DIM

### FLEX:

NO PLUG  FLEX & PLUG

### EXAMPLE CODE NAME

DOUBLE DOWN SM / BLK / BLK / 2x 16.0W / 3K / 50° / DALI DIM / FLEX & PLUG

PROJECT:

LUMINAIRE REF:

QTY:

SPECIFIER DETAILS:

REV: 25/07/18

DARKON.COM.AU