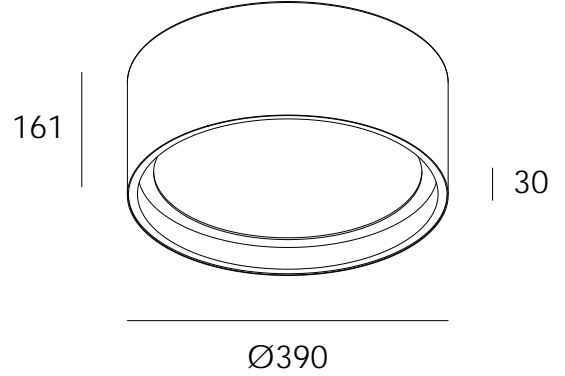
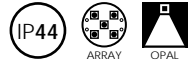


DEEP C 385 SM

SURFACE MOUNTED LUMINAIRES

DARKON

THE EDGE OF LIGHT



DESIGN FEATURES

- Opal diffuser for low glare applications
- Minimal trim for a 'trim-less' appearance
- 104 exit lumens per system watt
- 80+ colour rendering
- High colour tolerance Macadam 3
- Complies with AS/NZS 60598.2.1
- L80 / F10 = 40,000 hours @ 700mA / 75°C TP

INSTALLATION FEATURES

- Removable internal assembly for ease of maintenance
- Australian designed and assembled
- Supplied 100% pre-built
- 5 year warranty
- 10 year extended warranty optional
- Project specific labelling referencing type numbers
- Easy to follow install guide

LUMEN PERFORMANCE

TRIDONIC CLE 315mm LED
900mA 31.3 W 3244 lm
SYSTEM WATTAGE / EXIT LUMENS @ 4000K

OPTIONS

FINISH INT: White / Black
FINISH EXT: White / Black
CURRENT: 900mA
COLOUR TEMP: 3000K / 4000K
DIMMING: Non Dim / DALI / DSI / Switch Dim
FLEX: Flex & plug / No flex & plug

PROJECT:

TYPE NO.:

QTY:

REV: 07/12/20

DARKON.COM.AU