



SR Contour Light CONT H LM01 Monochromatic

FEATURES

- Excellent thermal dissipation encapsulated with high performance grade silicone material that can be used and installed at an extreme harsh environment with temperature up to 65°C
- Designed to be UV and corrosion resistant; meet UL 94 V-0 standard
- Beautifully crafted to have a convex finishing in a top illumination structure for horizontal bending
- One of the smallest bending radius (6cm) available in market to meet various design requirements
- Seamless with no dark spot even at the terminals
- **LED SHIELD™** Technology†
- Lifetime: 50,000 hours
- Wide selection of monochromatic colors



SPECIFICATION

Light Output

- Flux per meter
 - Very warm white, 2200K (T), 160lm
 - Warm white, 2700K (T), 190lm
 - Warm white, 3000K (T), 190lm
 - Natural white, 4300K (T), 200lm
 - Natural white, 5500K(T), 200lm
 - Red, 622.5nm, 75lm
 - Yellow, 590nm, 75lm
 - Green, 525nm, 140lm
 - Blue, 467.5nm, 38lm
- CRI: Ra >80
- Single bin 3-step MacAdam

Electrical

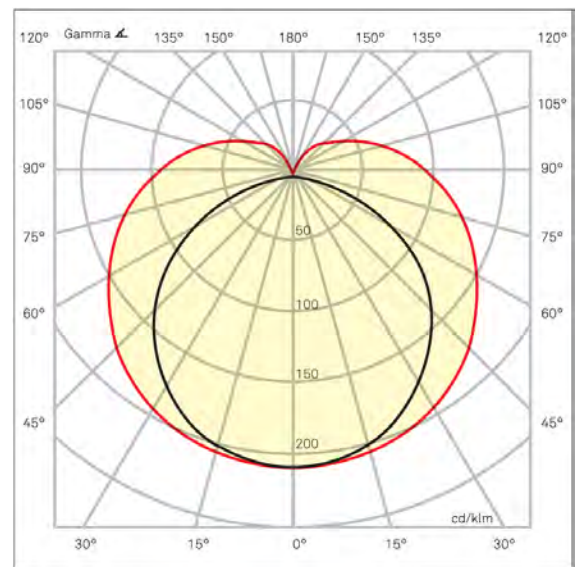
- Supply voltage: 24.0±1.0 VDC
- Supply current: 250mA/m typical
- Power range: 6W/m typical
- ESD protection: contact 4kV, air 8kV

Mechanical

- Minimum bending radius 6cm
- Maximum length for single end power-in: 10m
- IP67
- Cutting pitch: 100mm

Environment

- Ambient temperature: -40°C ... +65°C
- Storage temperature: -40°C ... +85°C



APPLICATIONS

- LED neon letter or sign
- Building and sign outline lighting
- General and cove lighting
- Bathroom, spa room lighting

WARRANTY & CERTIFICATION

- Warranty: 2 years* or L70/B50 at 50khrs
- EN 62031, EN 62471, EN 60598-1, EN 60598-2-1
- EN 55015, EN 61547
- AS/NZS 60598.1, AS/NZS 60598.2.1

* For 5-year warranty, please consult your local sales.

† **LED SHIELD™** technology: innovative mechanism protecting segment black out from single LED damage due to inappropriate external force applied during installation and handling.

LuxConex PTE LTD

1 Pemimpin Drive, #09-08 One Pemimpin, Singapore 576151

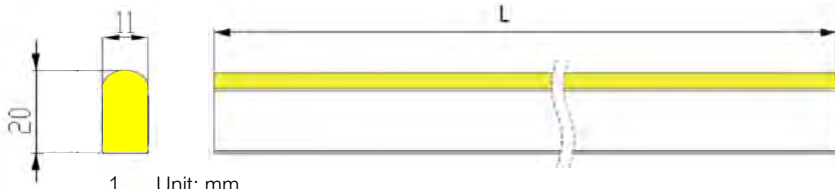
T: +65-6996 3314 E: contact@luxconex.com W: www.luxconex.com

20200811R2.5



SR Contour Light CONT H LM01 Monochromatic

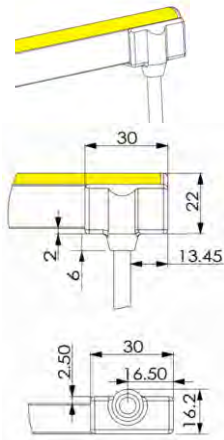
DIMENSIONS



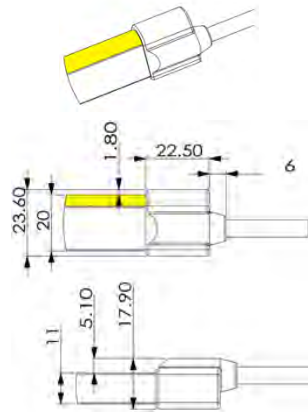
1. Unit: mm
2. L = 10,000mm (10 meters) for 24V product in standard configuration

MOLDED CONNECTOR FEED-IN AND FLUSH END CAP

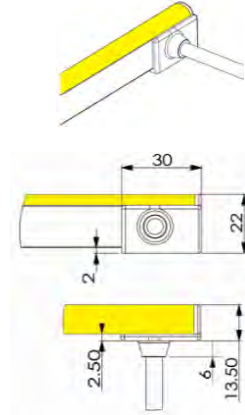
Bottom Feeder



End Feeder



Side Feeder



Flush End Cap



Connector Direction	Product	Feed-in Cable Side	End Cap Side	Total Length
Bottom Feed-in		+2.5mm		L+2.5+2.0 mm
End Feed-in	L mm	+4.0mm	+2.0mm	L+4.0+2.0 mm *
Side Feed-in		+2.5mm		L+2.5+2.0 mm

* Total length does not include the 6mm protrusion of the cable strain relief.

Molded connectors come with 500mm feed-in cable.

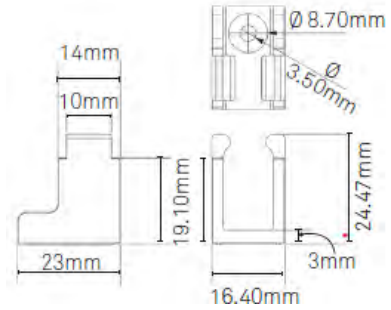
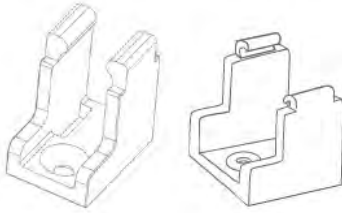
LuxConex PTE LTD

1 Pemimpin Drive, #09-08 One Pemimpin, Singapore 576151

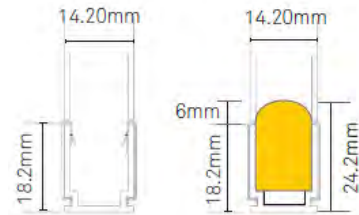
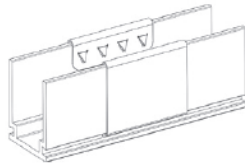
T: +65-6996 3314 E: contact@luxconex.com W: www.luxconex.com

MOUNTING ACCESSORIES

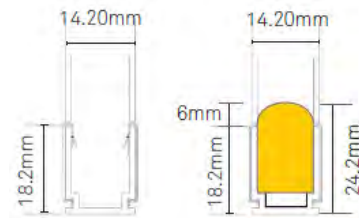
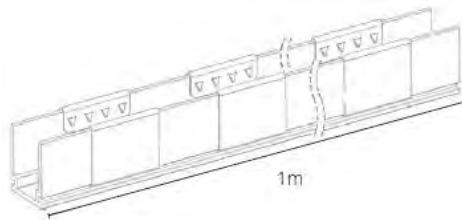
Transparent PC Clip
CONT H LM TR PC CLIP



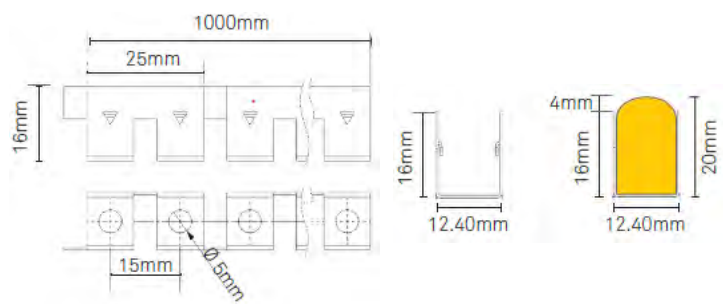
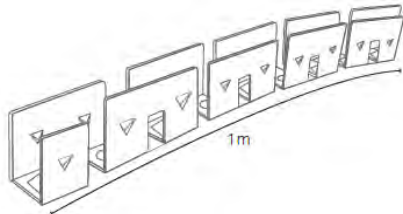
50mm Aluminum Clip
CONT H LM AL CLIP 50MM



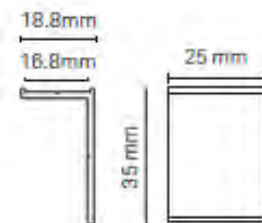
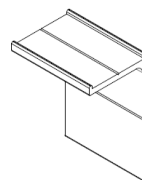
1m Aluminum Profile
CONT H LM AL PROFILE 1M



1m Stainless Steel Curve Profile
CONT H LM SS CURVE PROFILE 1M



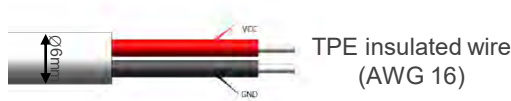
Aluminum L-Bracket
CONT L-BRACKET



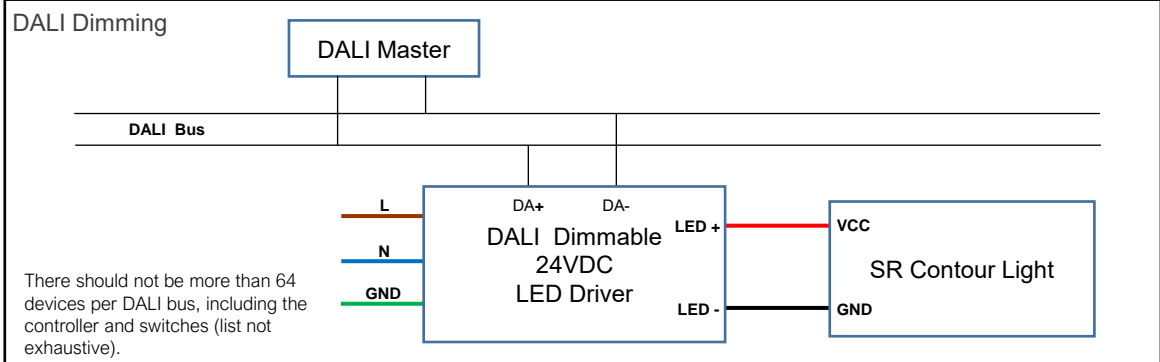
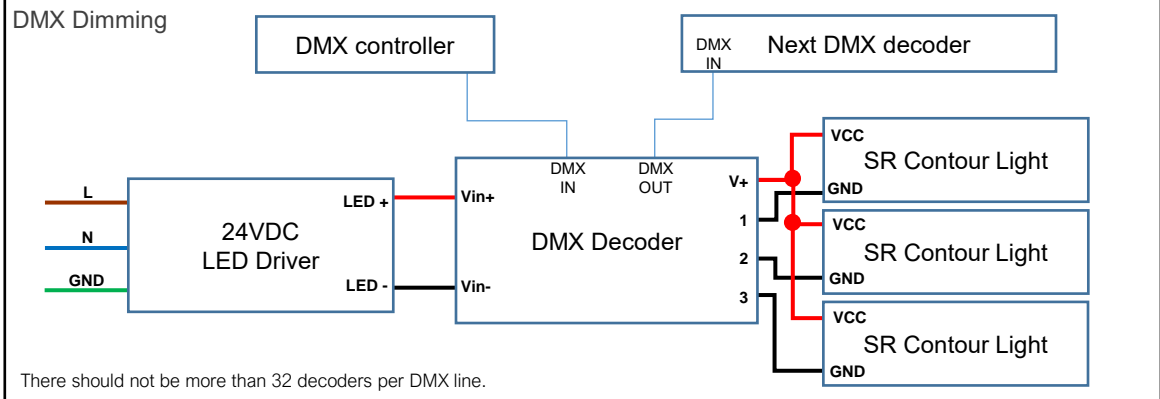
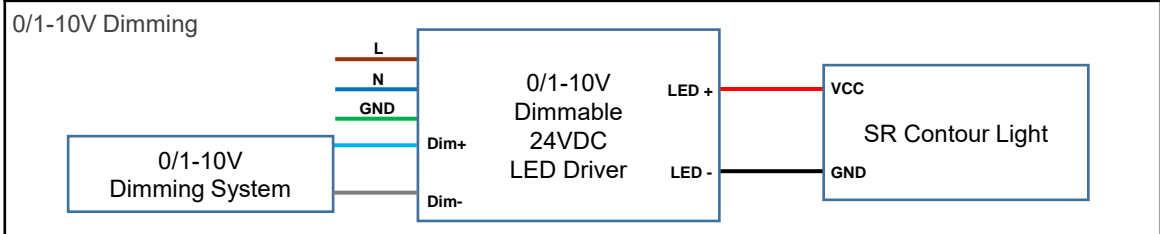
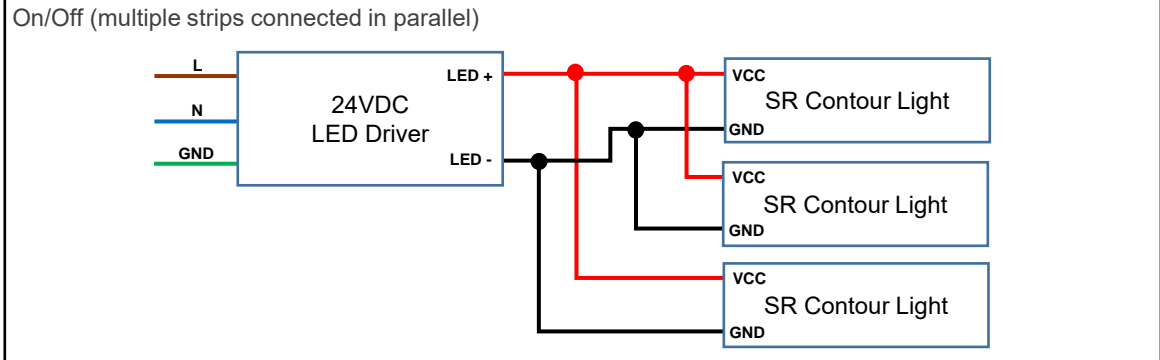
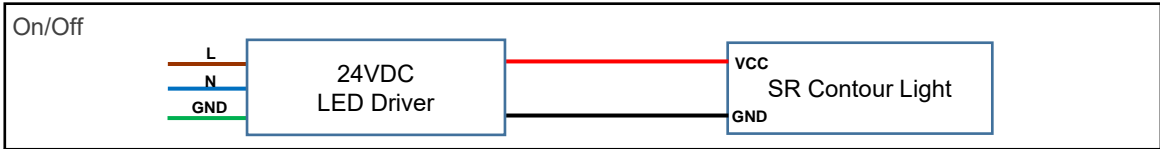


SR Contour Light CONT H LM01 Monochromatic

WIRING



CONNECTION



LuxConex PTE LTD

1 Pemimpin Drive, #09-08 One Pemimpin, Singapore 576151

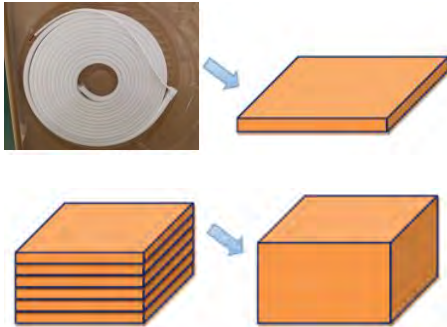
T: +65-6996 3314 E: contact@luxconex.com W: www.luxconex.com



SR Contour Light CONT H LM01 Monochromatic

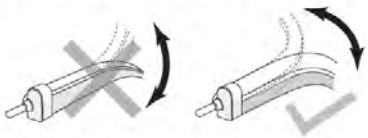
PACKAGING

- 10-meter Contour Light in one inner box, net weight: 2.4kg
- Shipping unit: 6 inner boxes in one carton
- Shipping box dimension: 575x495x265mm



CAUTIONS

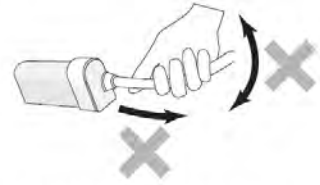
- Ensure mains power is switched OFF before carrying out installation, maintenance or replacement operations.
- The Contour Light should be installed by qualified electrical personnel and complying with local codes.
- The power supply should be sized appropriately to adequately power the load with the correct voltage and power ratings: It is generally recommended to have at least 10% power buffer.
- Lightning / Surge protection should be used if not already built into the power supply.
- **DO NOT CUT** the light strip or warranty will be voided.



DO NOT BEND the fixture in the wrong direction. If bent vertically, the fixture could be damaged.



DO NOT TWIST the fixture or **BEND** at less than 6cm radius.



DO NOT STRESS OR PULL HARD on the lead-in cables, nor handle it using the feed-in cables.

LuxConex PTE LTD

1 Pemimpin Drive, #09-08 One Pemimpin, Singapore 576151

T: +65-6996 3314 E: contact@luxconex.com W: www.luxconex.com



SR Contour Light CONT H LM01 Monochromatic

ORDERING INFORMATION

Product Family	Feed-in Cable Direction for Connector	Color *	Length
CONT H LM01	MB (bottom feeder)	822	xM (x = length in meters, max 10)
		827	
		830	
	ME (end feeder)	843	
		855	
		RED	
	MS (side feeder)	YELLOW	
		GREEN	
		BLUE	

Example:

CONT H LM01 MS 830 8M denotes CONT H LM01 series, molded connector, side entry cable, flush end cap, CRI Ra80+, CCT 3000K, 8m in length.

* CRI Ra 90+ option available upon request.

Accessory Part Number	Description
CONT H LM TR PC CLIP	transparent PC clip
CONT H LM AL CLIP 50MM	aluminum clip, 50mm
CONT H LM AL PROFILE 1M	aluminum profile, 1m
CONT H LM SS CURVE PROFILE 1M	stainless steel curve profile, 1m
CONT L-BRACKET	aluminum L-bracket

LED Driver Part Number	Description	Estimated Maximum Strip Length L *
SAV-060N024X02HQA	60W 24V Constant Voltage LED Driver	8m
SAV-096N024X400Q	96W 24V Constant Voltage LED Driver	12.8m †
SAV-150N024X625Q	150W 24V Constant Voltage LED Driver	20m †

* System design will vary depending on actual project configuration. Please consult your local sales support for detailed strip length calculations, connecting cable type and length calculations.

† Maximum single strip length is 10 meters. For configuration longer than 10 meters, please separate the strip into even lengths.

LuxConex PTE LTD

1 Pemimpin Drive, #09-08 One Pemimpin, Singapore 576151

T: +65-6996 3314 E: contact@luxconex.com W: www.luxconex.com



SR Contour Light CONT H LM02 Monochromatic

FEATURES

- Excellent thermal dissipation encapsulated with high performance grade silicone material that can be used and installed at an extreme harsh environment with temperature up to 65°C
- Designed to be UV and corrosion resistant; meet UL 94 V-0 standard
- Beautifully crafted to have a convex finishing in a top illumination structure for horizontal bending
- One of the smallest bending radius (6cm) available in market to meet various design requirements
- Seamless with no dark spot even at the terminals
- **LED SHIELD™** Technology[†]
- Lifetime: 50,000 hours
- Wide selection of monochromatic colors



SPECIFICATION

Light Output

- Flux per meter
 - Very warm white, 2200K (T), 250lm
 - Warm white, 2700K (T), 300lm
 - Warm white, 3000K (T), 300lm
 - Natural white, 4300K (T), 320lm
 - Natural white, 5500K (T), 320lm
 - Red, 622.5nm, 120lm
 - Yellow, 590nm, 120lm
 - Green, 525nm, 225lm
 - Blue, 467.5nm, 60lm
- CRI: Ra >80
- Single Bin 3 Step MacAdam

Electrical

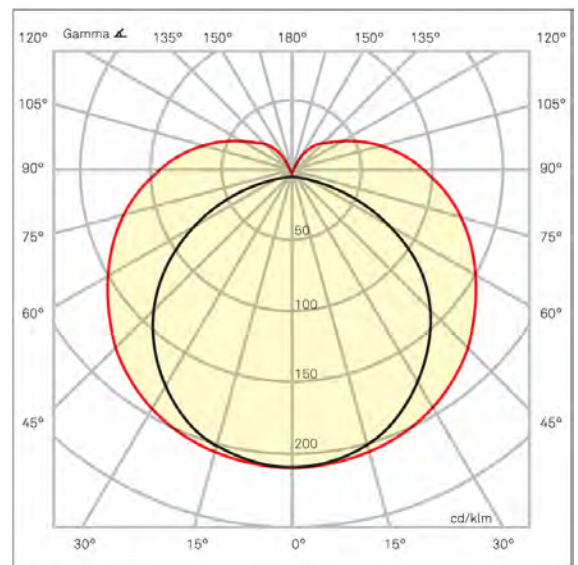
- Supply voltage: 24.0±1.0VDC
- Supply current: 400mA/m typical
- Power range: 9.6W/m typical
- ESD protection: contact 4kV, air 8kV

Mechanical

- Minimum bending radius: 6cm
- Maximum length for single end power-in: 10m
- IP67
- Cutting pitch: 100mm

Environment

- Ambient temperature: -40°C ... +65°C
- Storage temperature: -40°C ... +85°C
tc 80°C



Beam angle: 145°

APPLICATIONS

- LED neon letter or sign
- Building and sign outline lighting
- General and cove lighting
- Bathroom, spa room lighting

WARRANTY & CERTIFICATION

- Warranty: 2 years* or L70/B50 at 50khrs
- EN 62031, EN 62471, EN 60598-1, EN 60598-2-1
- EN 55015, EN 61547
- AS/NZS 60598.1, AS/NZS 60598.2.1

* For 5-year warranty, please consult your local sales.

[†] **LED SHIELD™** technology: innovative mechanism protecting segment black out from single LED damage due to inappropriate external force applied during installation and handling.

LuxConex PTE LTD

1 Pemimpin Drive, #09-08 One Pemimpin, Singapore 576151

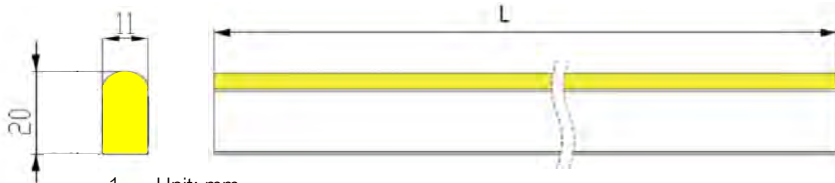
T: +65-6996 3314 E: contact@luxconex.com W: www.luxconex.com

20200811R2.5



SR Contour Light CONT H LM02 Monochromatic

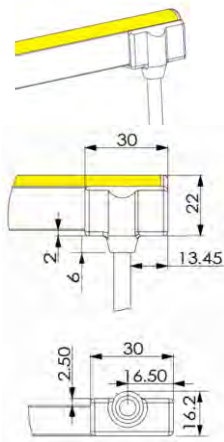
DIMENSIONS



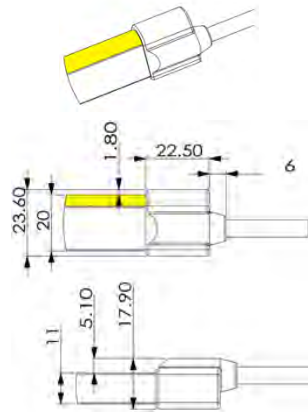
1. Unit: mm
2. L = 10,000mm (10 meters) for 24V product in standard configuration

MOLDED CONNECTOR FEED-IN AND FLUSH END CAP

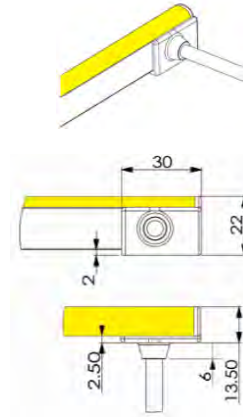
Bottom Feeder



End Feeder



Side Feeder



Flush End Cap



Connector Direction	Product	Feed-in Cable Side	End Cap Side	Total Length
Bottom Feed-in		+2.5mm		L+2.5+2.0 mm
End Feed-in	L mm	+4.0mm	+2.0mm	L+4.0+2.0 mm *
Side Feed-in		+2.5mm		L+2.5+2.0 mm

* Total length does not include the 6mm protrusion of the cable strain relief.

Molded connectors come with 500mm feed-in cable.

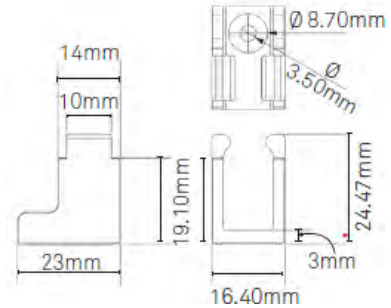
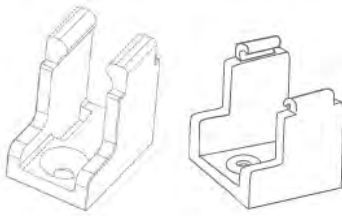
LuxConex PTE LTD

1 Pemimpin Drive, #09-08 One Pemimpin, Singapore 576151

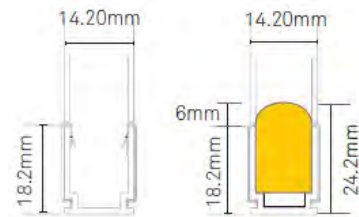
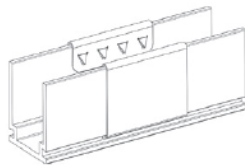
T: +65-6996 3314 E: contact@luxconex.com W: www.luxconex.com

MOUNTING ACCESSORIES

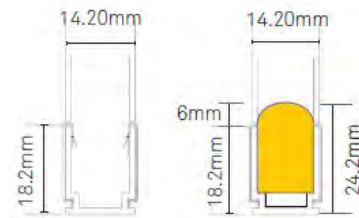
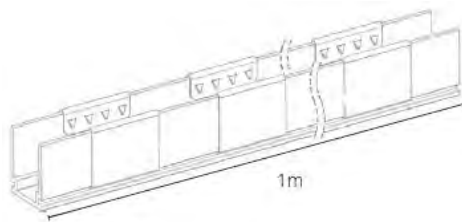
Transparent PC Clip
CONT H LM TR PC CLIP



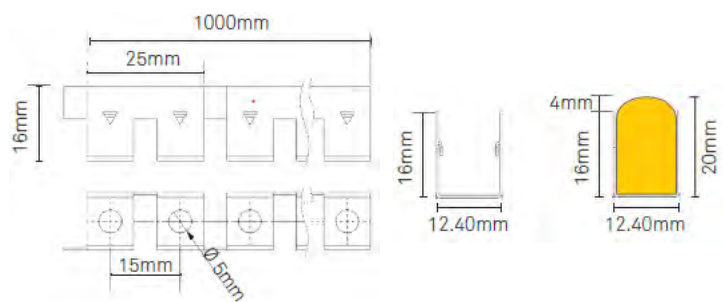
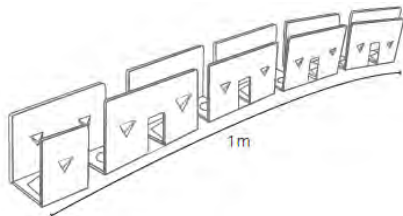
50mm Aluminum Clip
CONT H LM AL CLIP 50MM



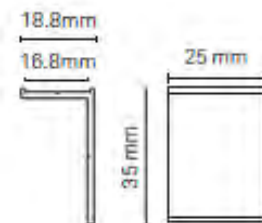
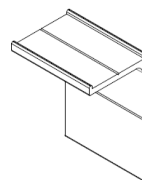
1m Aluminum Profile
CONT H LM AL PROFILE 1M



1m Stainless Steel Curve Profile
CONT H LM SS CURVE PROFILE 1M



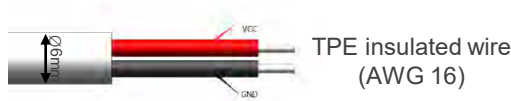
Aluminum L-Bracket
CONT L-BRACKET



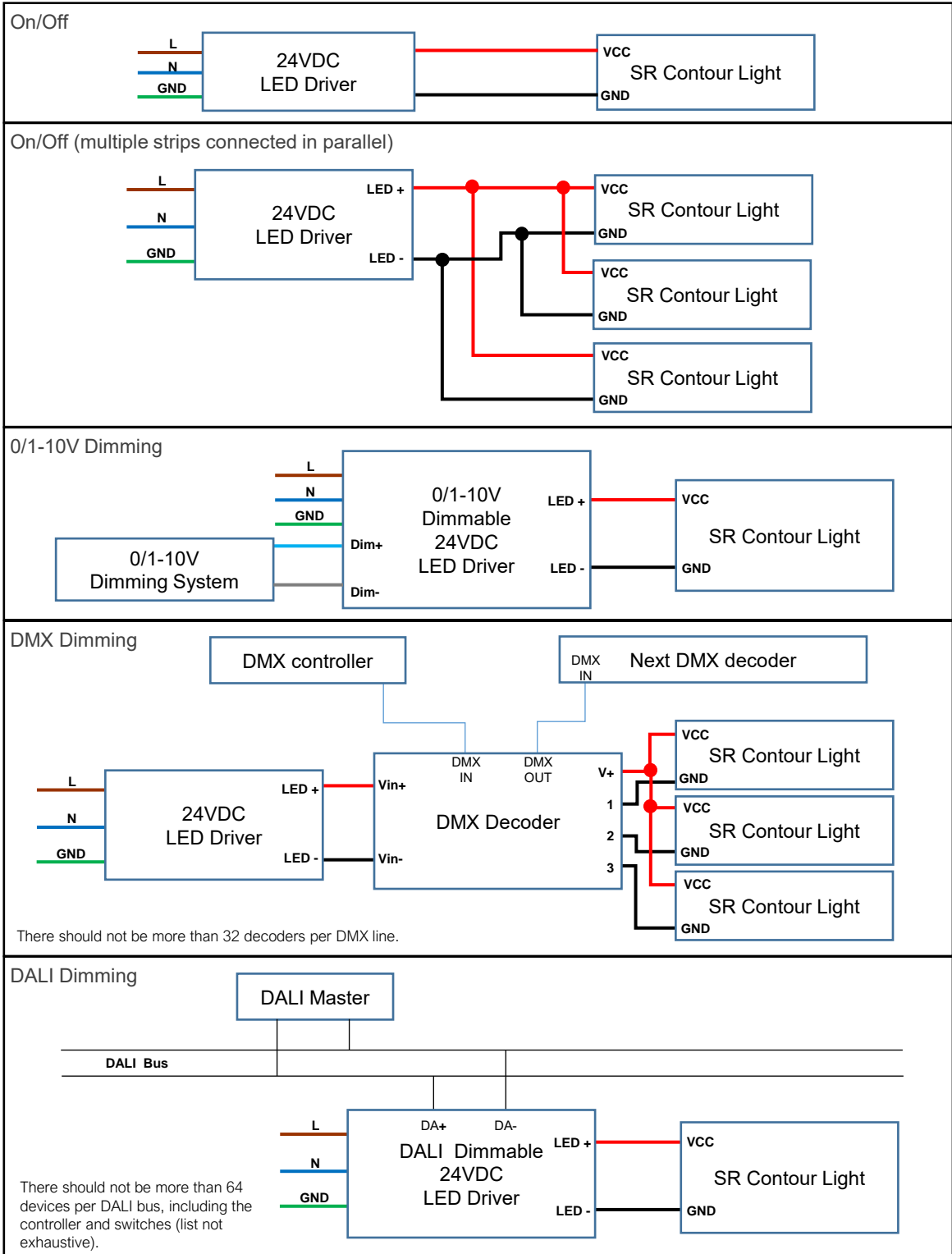


SR Contour Light CONT H LM02 Monochromatic

WIRING



CONNECTION



LuxConex PTE LTD

1 Pemimpin Drive, #09-08 One Pemimpin, Singapore 576151

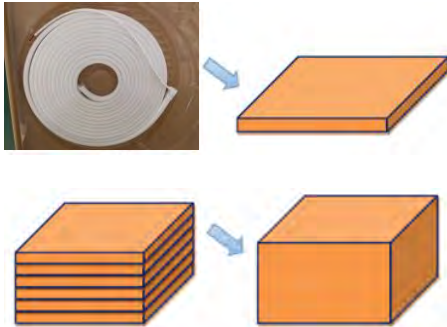
T: +65-6996 3314 E: contact@luxconex.com W: www.luxconex.com



SR Contour Light CONT H LM02 Monochromatic

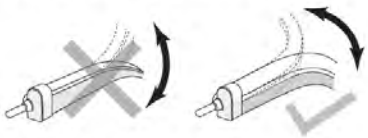
PACKAGING

- 10-meter Contour Light in one inner box, net weight: 2.4kg
- Shipping unit: 6 inner boxes in one carton
- Shipping box dimension: 575x495x265mm



CAUTIONS

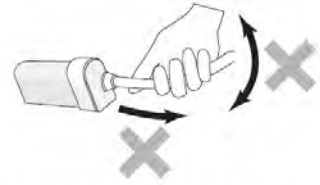
- Ensure mains power is switched OFF before carrying out installation, maintenance or replacement operations.
- The Contour Light should be installed by qualified electrical personnel and complying with local codes.
- The power supply should be sized appropriately to adequately power the load with the correct voltage and power ratings: It is generally recommended to have at least 10% power buffer.
- Lightning / Surge protection should be used if not already built into the power supply.
- **DO NOT CUT** the light strip or warranty will be voided.



DO NOT BEND the fixture in the wrong direction. If bent vertically, the fixture could be damaged.



DO NOT TWIST the fixture or **BEND** at less than 6cm radius.



DO NOT STRESS OR PULL HARD on the lead-in cables, nor handle it using the feed-in cables.

LuxConex PTE LTD

1 Pemimpin Drive, #09-08 One Pemimpin, Singapore 576151

T: +65-6996 3314 E: contact@luxconex.com W: www.luxconex.com



SR Contour Light CONT H LM02 Monochromatic

ORDERING INFORMATION

Product Family	Feed-in Cable Direction for Connector	Color *	Length
CONT H LM02	MB (bottom feeder)	822	xM (x = length in meters, max 10)
		827	
		830	
	ME (end feeder)	843	
		855	
		RED	
	MS (side feeder)	YELLOW	
		GREEN	
		BLUE	

Example:

CONT H LM02 MS 830 8M denotes CONT H LM02 series, molded connector, side entry cable, flush end cap, CRI Ra80+, CCT 3000K, 8m in length.

* CRI Ra 90+ option available upon special request.

Accessory Part Number	Description
CONT H LM TR PC CLIP	transparent PC clip
CONT H LM AL CLIP 50MM	aluminum clip, 50mm
CONT H LM AL PROFILE 1M	aluminum profile, 1m
CONT H LM SS CURVE PROFILE 1M	stainless steel curve profile, 1m
CONT L-BRACKET	aluminum L-bracket

LED Driver Part Number	Description	Estimated Maximum Strip Length L *
SAV-060N024X02HQA	60W 24V Constant Voltage LED Driver	5m
SAV-096N024X400Q	96W 24V Constant Voltage LED Driver	8m
SAV-150N024X625Q	150W 24V Constant Voltage LED Driver	12.5m †

* System design will vary depending on actual project configuration. Please consult your local sales support for detailed strip length calculations, connecting cable type and length calculations.

† Maximum single strip length is 10 meters. For configuration longer than 10 meters, please separate the strip into even lengths.

LuxConex PTE LTD

1 Pemimpin Drive, #09-08 One Pemimpin, Singapore 576151

T: +65-6996 3314 E: contact@luxconex.com W: www.luxconex.com



SR Contour Light CONT H LM03 Monochromatic

FEATURES

- Excellent thermal dissipation encapsulated with high performance grade silicone material that can be used and installed at an extreme harsh environment with temperature up to 65°C
- Designed to be UV and corrosion resistant; meet UL 94 V-0 standard
- Beautifully crafted to have a convex finishing in a top illumination structure for horizontal bending
- One of the smallest bending radius (6cm) available in market to meet various design requirements
- Seamless with no dark spot even at the terminals
- High lumen output up to 400lm/m
- **LED SHIELD™** Technology[†]
- Lifetime: 50,000 hours
- Wide selection of monochromatic colors



SPECIFICATION

Light Output

- Flux per meter
 - Warm white, 2200K (T), 320lm
 - Warm white, 2700K (T), 380lm
 - Warm white, 3000K (T), 380lm
 - Natural white, 4300K (T), 400lm
 - Natural white, 5500K (T), 400lm
 - Yellow, 590nm, 150lm
 - Red, 622.5nm, 150lm
 - Green, 525nm, 280lm
 - Blue, 467.5nm, 75lm
- CRI: Ra >80
- Single bin 3-step MacAdam

Electrical

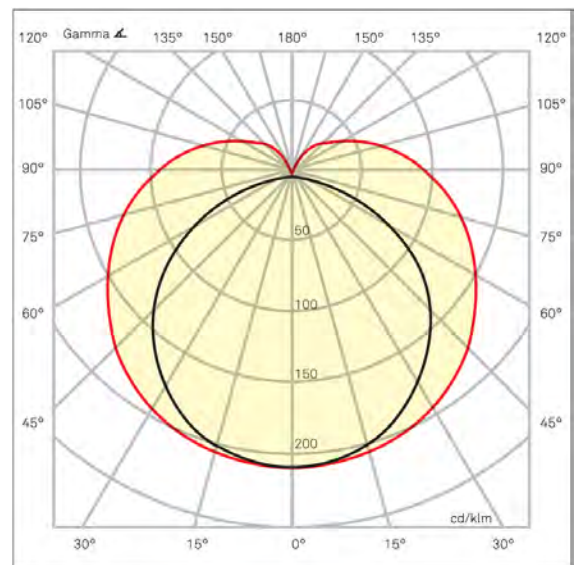
- Supply voltage: 24.0±1.0VDC
- Supply current: 500mA/m typical
- Power range: 12W/m typical
- ESD protection: contact 4kV, air 8kV

Mechanical

- Minimum bending radius: 6cm
- Maximum length for power-in: 10m
- IP67
- Cutting pitch: 100mm

Environment

- Ambient temperature: -40°C ... +65°C
- Storage temperature: -40°C ... +85°C



Beam angle: 145°

APPLICATIONS

- LED neon letter or sign
- Building and sign outline lighting
- General and cove lighting
- Bathroom, spa room lighting

WARRANTY & CERTIFICATION

- Warranty: 2 years* or L70/B50 at 50khrs
- EN 62031, EN 62471, EN 60598-1, EN 60598-2-1
- EN 55015, EN 61547
- AS/NZS 60598.1, AS/NZS 60598.2.1

* For 5-year warranty, please consult your local sales.

[†] **LED SHIELD™** technology: innovative mechanism protecting segment black out from single LED damage due to inappropriate external force applied during installation and handling.

LuxConex PTE LTD

1 Pemimpin Drive, #09-08 One Pemimpin, Singapore 576151

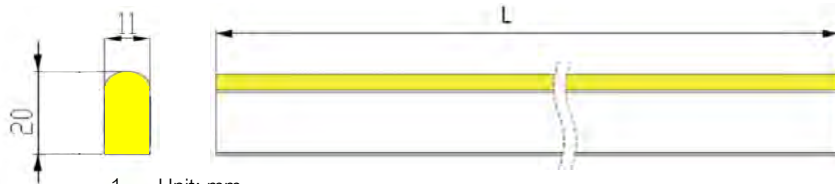
T: +65-6996 3314 E: contact@luxconex.com W: www.luxconex.com

20200811R2.6



SR Contour Light CONT H LM03 Monochromatic

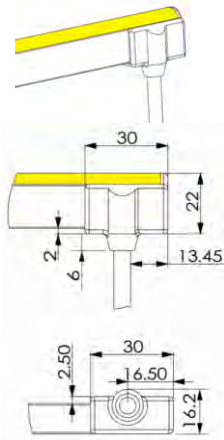
DIMENSIONS



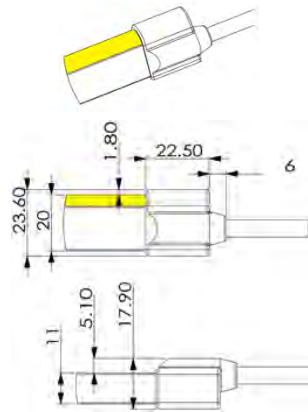
1. Unit: mm
2. L = 10,000mm (10 meters) for 24V product in standard configuration

MOLDED CONNECTOR FEED-IN AND FLUSH END CAP

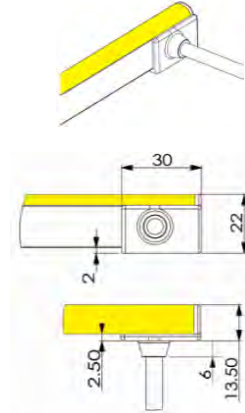
Bottom Feeder



End Feeder



Side Feeder



Flush End Cap



Connector Direction	Product	Feed-in Cable Side	End Cap Side	Total Length
Bottom Feed-in		+2.5mm		L+2.5+2.0 mm
End Feed-in	L mm	+4.0mm	+2.0mm	L+4.0+2.0 mm *
Side Feed-in		+2.5mm		L+2.5+2.0 mm

* Total length does not include the 6mm protrusion of the cable strain relief.

Molded connectors come with 500mm feed-in cable.

LuxConex PTE LTD

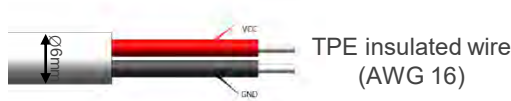
1 Pemimpin Drive, #09-08 One Pemimpin, Singapore 576151

T: +65-6996 3314 E: contact@luxconex.com W: www.luxconex.com

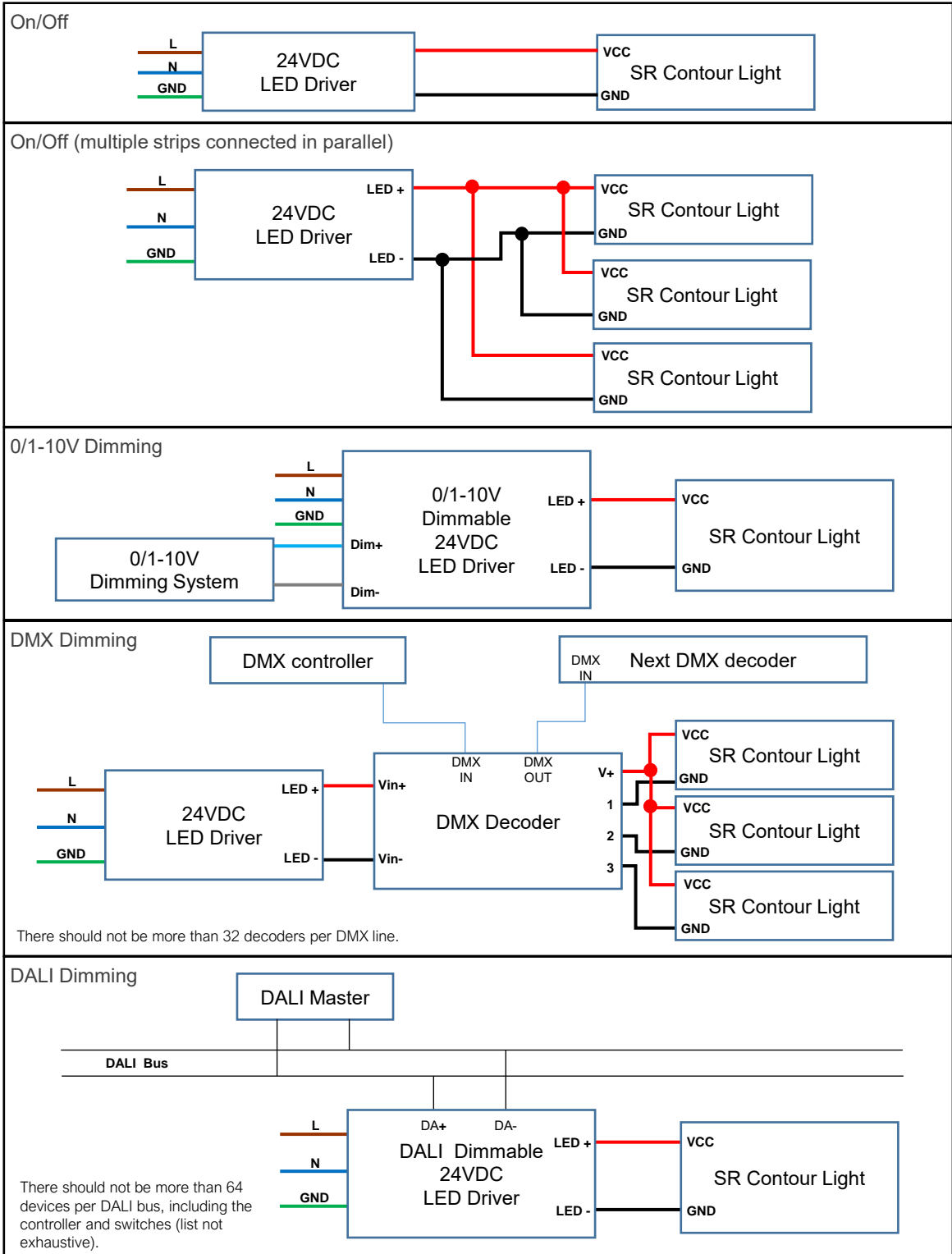


SR Contour Light CONT H LM03 Monochromatic

WIRING



CONNECTION



LuxConex PTE LTD

1 Pemimpin Drive, #09-08 One Pemimpin, Singapore 576151

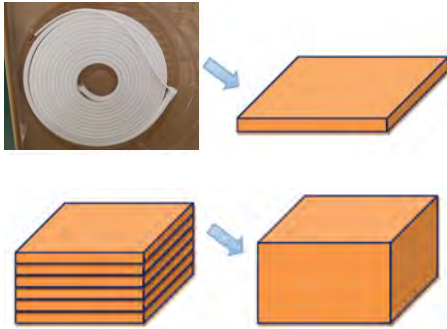
T: +65-6996 3314 E: contact@luxconex.com W: www.luxconex.com



SR Contour Light CONT H LM03 Monochromatic

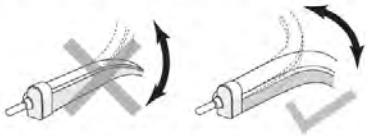
PACKAGING

- 10-meter Contour Light in one inner box, net weight: 2.4kg
- Shipping unit: 6 inner boxes in one carton
- Shipping box dimension: 575x495x265mm



CAUTIONS

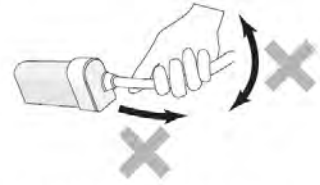
- Ensure mains power is switched OFF before carrying out installation, maintenance or replacement operations.
- The Contour Light should be installed by qualified electrical personnel and complying with local codes.
- The power supply should be sized appropriately to adequately power the load with the correct voltage and power ratings: It is generally recommended to have at least 10% power buffer.
- Lightning / Surge protection should be used if not already built into the power supply.
- **DO NOT CUT** the light strip or warranty will be voided.



DO NOT BEND the fixture in the wrong direction. If bent vertically, the fixture could be damaged.



DO NOT TWIST the fixture or **BEND** at less than 6cm radius.



DO NOT STRESS OR PULL HARD on the lead-in cables, nor handle it using the feed-in cables.

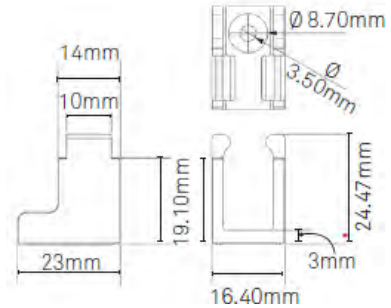
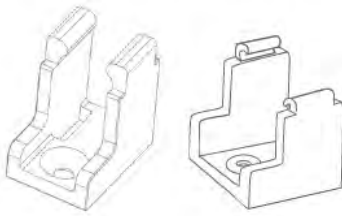
LuxConex PTE LTD

1 Pemimpin Drive, #09-08 One Pemimpin, Singapore 576151

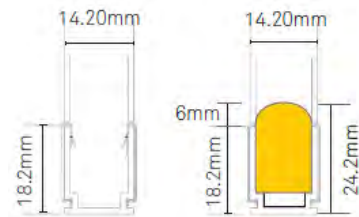
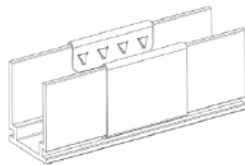
T: +65-6996 3314 E: contact@luxconex.com W: www.luxconex.com

MOUNTING ACCESSORIES

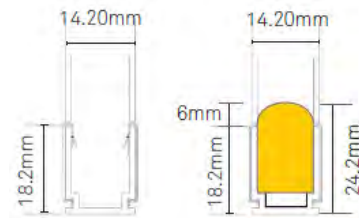
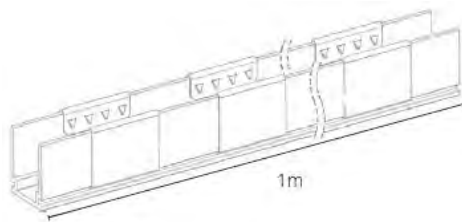
Transparent PC Clip
CONT H LM TR PC CLIP



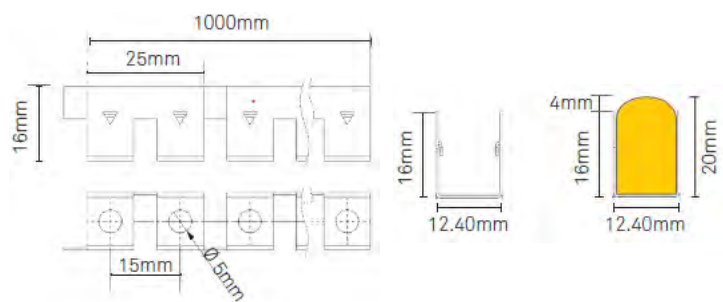
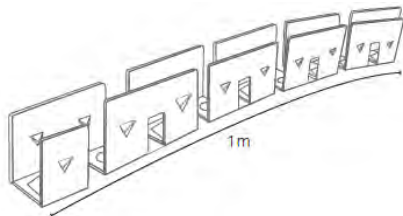
50mm Aluminum Clip
CONT H LM AL CLIP 50MM



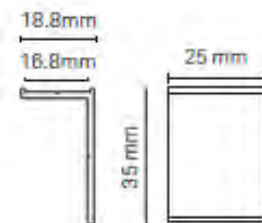
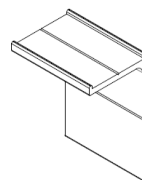
1m Aluminum Profile
CONT H LM AL PROFILE 1M



1m Stainless Steel Curve Profile
CONT H LM SS CURVE PROFILE 1M



Aluminum L-Bracket
CONT L-BRACKET





SR Contour Light CONT H LM03 Monochromatic

ORDERING INFORMATION

Product Family	Feed-in Cable Direction for Connector	Color *	Length
CONT H LM03	MB (bottom feeder)	822	xM (x = length in meters, max 10)
		827	
		830	
	ME (end feeder)	843	
		855	
		RED	
	MS (side feeder)	YELLOW	
		GREEN	
		BLUE	

Example:

CONT H LM03 MS 830 8M denotes CONT H LM03 series, molded connector, side entry cable, flush end cap, CRI Ra 80+, CCT 3000K, 8m in length.

* CRI Ra 90+ option available upon special request.

Accessory Part Number	Description
CONT H LM TR PC CLIP	transparent PC clip
CONT H LM AL CLIP 50MM	aluminum clip, 50mm
CONT H LM AL PROFILE 1M	aluminum profile, 1m
CONT H LM SS CURVE PROFILE 1M	stainless steel curve profile, 1m
CONT L-BRACKET	aluminum L-bracket

LED Driver Part Number	Description	Estimated Maximum Strip Length L *
SAV-060N024X02HQA	60W 24V Constant Voltage LED Driver	4m
SAV-096N024X400Q	96W 24V Constant Voltage LED Driver	6.4m
SAV-150N024X625Q	150W 24V Constant Voltage LED Driver	10m

* System design will vary depending on actual project configuration. Please consult your local sales support for detailed strip length calculations, connecting cable type and length calculations.

LuxConex PTE LTD

1 Pemimpin Drive, #09-08 One Pemimpin, Singapore 576151

T: +65-6996 3314 E: contact@luxconex.com W: www.luxconex.com