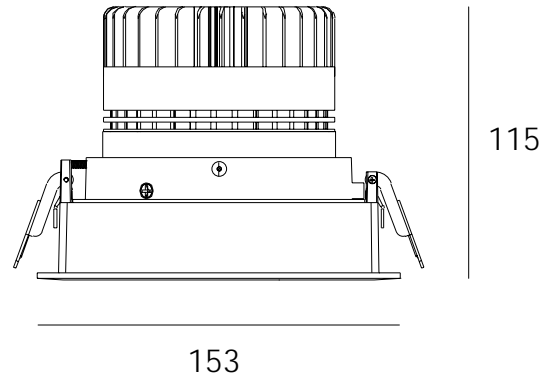
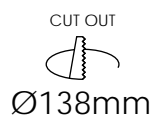


IP22 LED



AMBUSH is a recessed high powered downlight with gimbal adjustment. The LED is recessed deep into the body for minimal glare. Choice of LED engine caters to varying project requirements.



SPECIFICATIONS

COLOUR

WHITE WITH BLACK ANTI GLARE RING

LAMP

CREE LED ENGINE

EPISTAR LED ENGINE

OUTPUT

CR 1x 25W 700mA 2332lm

EP 1x 25W 700mA xxxx lm

NOTE: SYSTEM WATTAGE / EXIT LUMENS AT 4000K, 15°

COLOUR TEMP

3000K / 4000K

OPTICS

15° / 24°

INCLINATION / ROTATION

0-30° / 360°

DIMMING

DALI / DSI / SWITCH

REQUIRED

REMOTE DRIVER

MOUNTING OPTIONS

REC

CODE NAME

NAME:

AMBUSH

COLOUR:

WHT

WATTAGE:

25W CR

25W EP

COLOUR TEMP:

3K

4K

OPTICS:

15°

24°

DIMMING:

NON DIM

DIM

FLEX:

NO PLUG

FLEX & PLUG

EXAMPLE CODE NAME

AMBUSH / WHT / 1x25W CR / 3K / 24° / DIM / FLEX & PLUG

PROJECT:

LUMINAIRE REF:

QTY:

SPECIFIER DETAILS: