

# WYN SM

SURFACE MOUNTED LUMINAIRE

# DARKON™

THE EDGE OF LIGHT

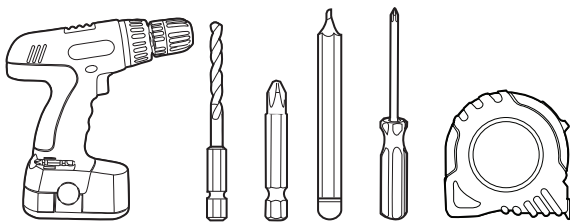
Ensure that products are mounted with supplied, recommended or appropriate screws and fixings to suit the mounting surface.

## WARNING

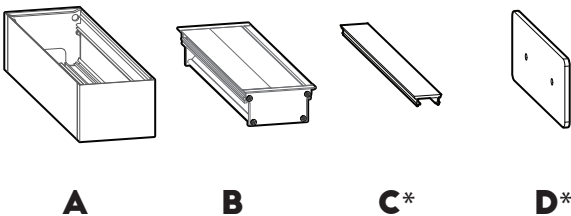
INSTALLATION IS ONLY TO BE CARRIED OUT BY SUITABLY QUALIFIED PERSONS IN ACCORDANCE WITH INSTALLATION INSTRUCTIONS AND ALL APPLICABLE REGULATIONS OR STANDARDS. (IMPROPER INSTALLATION CAN CREATE AN ELECTRICAL HAZARD WITH RISK OF ELECTRIC SHOCK, FIRE OR INJURY). DARKON WILL NOT BE HELD RESPONSIBLE FOR ANY CONSEQUENCES ARISING FROM IMPROPER PRODUCT HANDLING, STORAGE OR INSTALLATION.

## TOOLS REQUIRED

POWER DRILL / DRILL BIT / PHILLIPS DRIVER / PENCIL / SCREWDRIVER  
APPROPRIATE MEASURING INSTRUMENTS

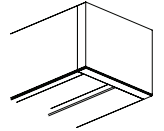
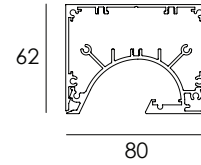


## COMPONENTS

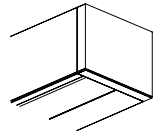
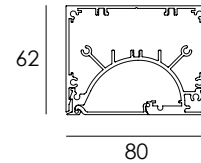


\*\*C LENS SUPPLIED ONLY W/ WYN IP22  
D SUPPLIED WITH ONLY WITH MULTIPLE BODY FITTINGS

WYN SM

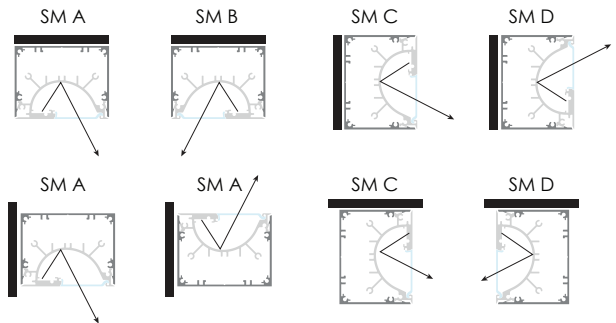


WYN IP SM



## ORIENTATION

Ensure luminaire is correctly oriented to produce desired light direction.



## MAINTENANCE

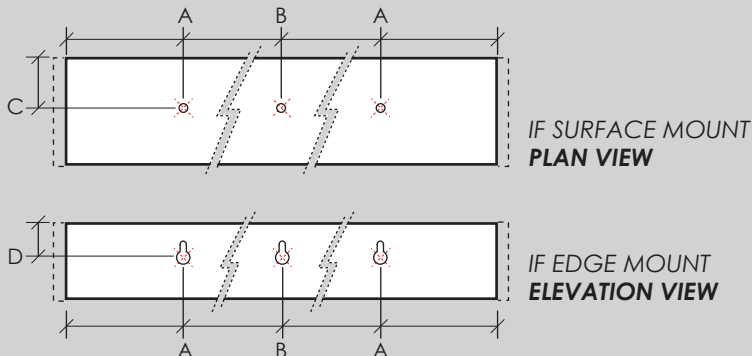


Wipe product with a clean dry microfiber cloth.  
Do not use any cleaning products/ chemicals to clean product.

## SERVICING

-This is a non-servicable fitting. Remote power supply can be replaced if deemed faulty.

## MOUNTING DETAIL



## DISTANCE

## DESCRIPTION

A)	150MM	REQUIRED MOUNTING POINT LOCATIONS LENGTH
B)	$\frac{\text{PROFILE LENGTH}}{2}$	THIRD MOUNTING POINT (IF OVER 2.2M)
C)	40MM	REQUIRED MOUNTING POINT LOCATIONS WIDTH
D)	30MM	REQUIRED MOUNTING POINT LOCATIONS WIDTH

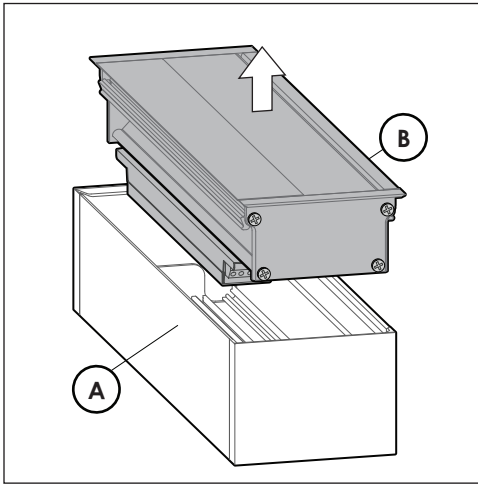


01.07.2019

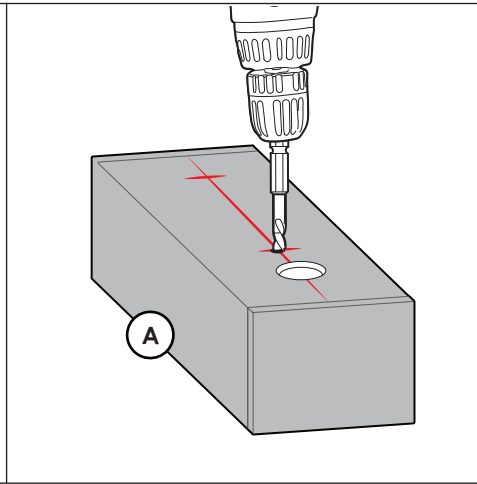
www.darkon.com.au

1/4

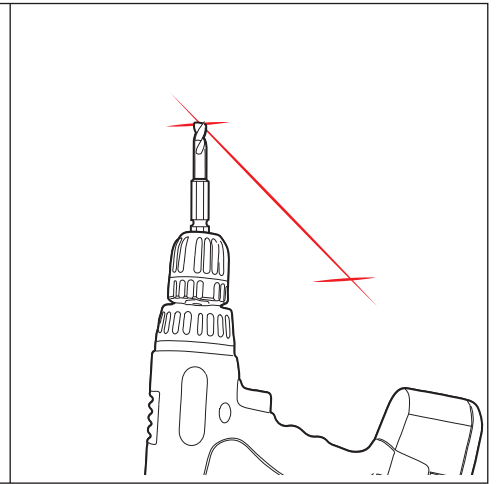
REVISION 02



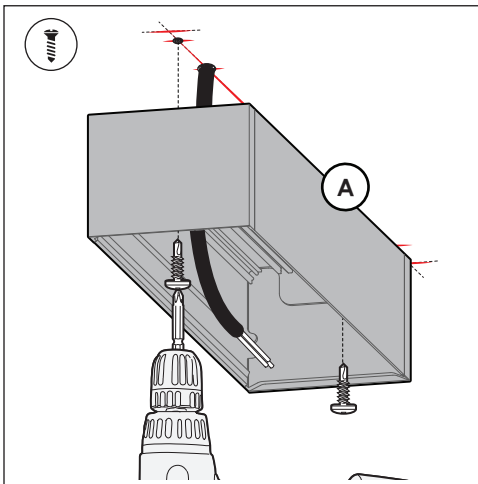
**I.** Unassemble fitting by removing Mainbody(B) from Surfacebody(A)



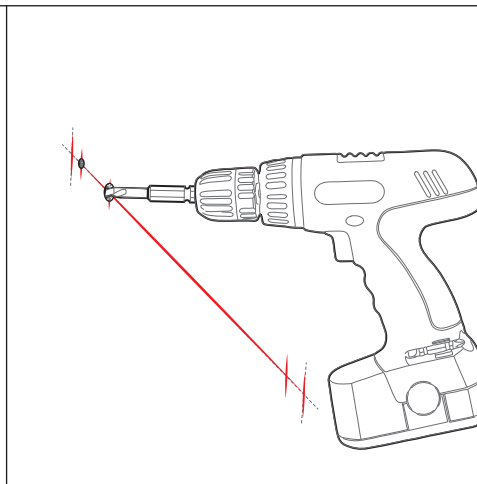
**2A1. IF SURFACE MOUNTED.** Mark & drill through the profile on locations shown(see figure 1). Central hole is only necessary for fittings exceeding 2,200mm in length.



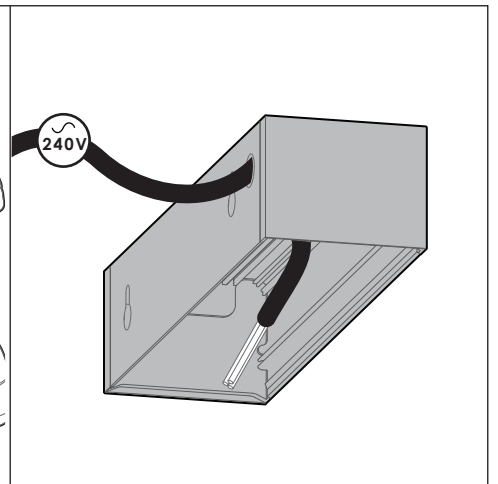
**2A2.** Mark placement of luminaire and necessary holes on desired surface.



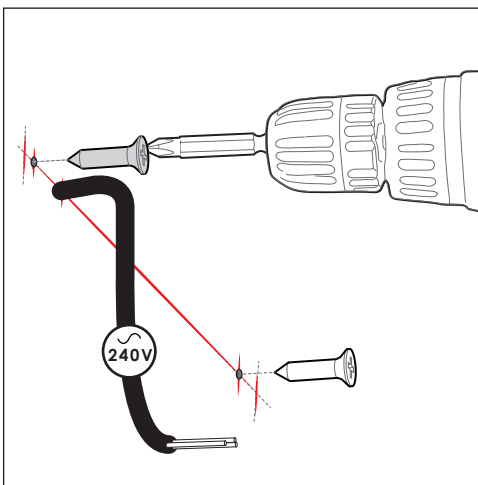
**2A3.** Fix surfacebody to ceiling with appropriate fasteners (fasteners not supplied)



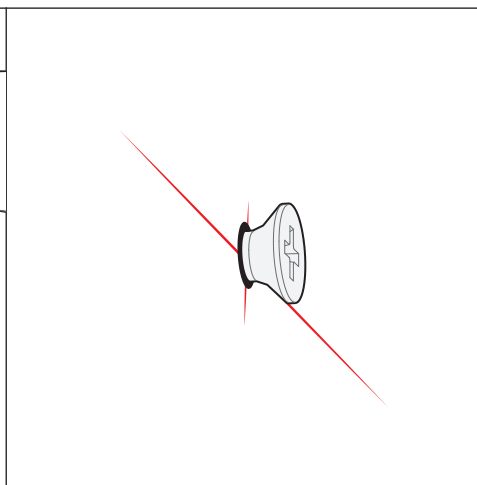
**2B1 IF EDGE MOUNTED** Mark out necessary locations for fasteners and powerfeed on the wall. Drill all with appropriate sized drill bit.



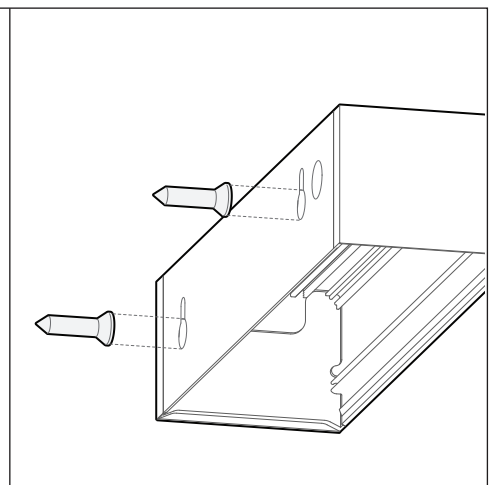
**2B2.** Pull powerfeed(240V) through Surfacebody(A).



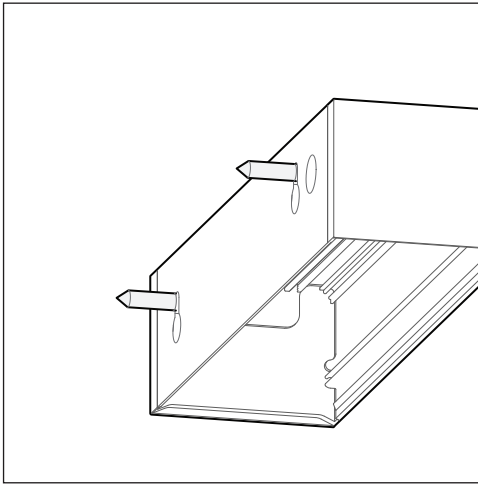
**2B3.** Fasten appropriate screws (screws not supplied).



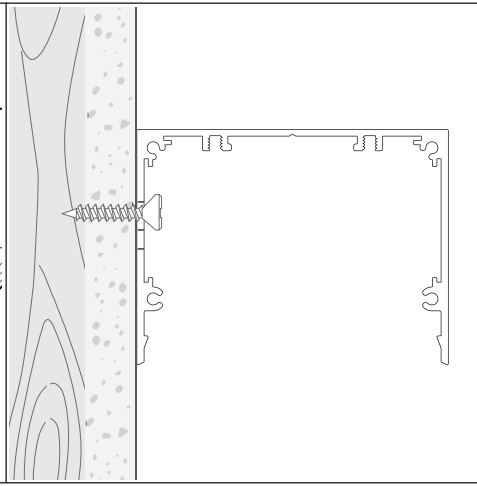
**2B4.** Ensure fixing sits proud of the wall.



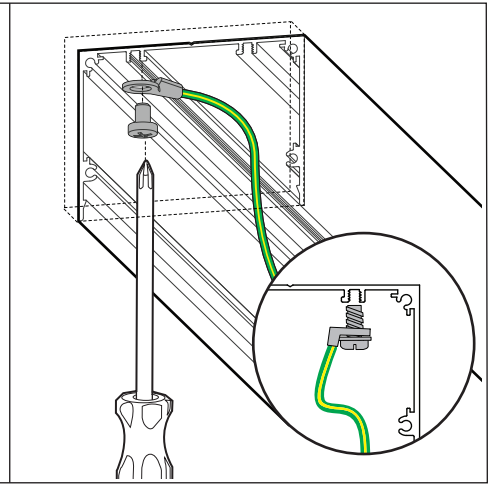
**2B5.** Align the larger portion of keyholes to screw head and insert.



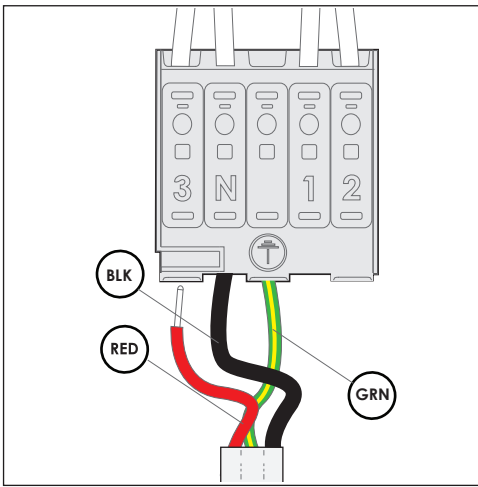
**2B6.**  
Slightly pull fitting down so that all screw heads are retained by the narrower portion of the keyhole.



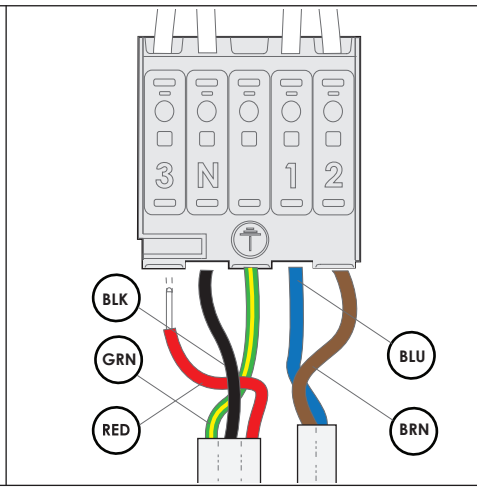
**2B7.**  
Tighten fastener to ensure proper installation of surfacebody(A).



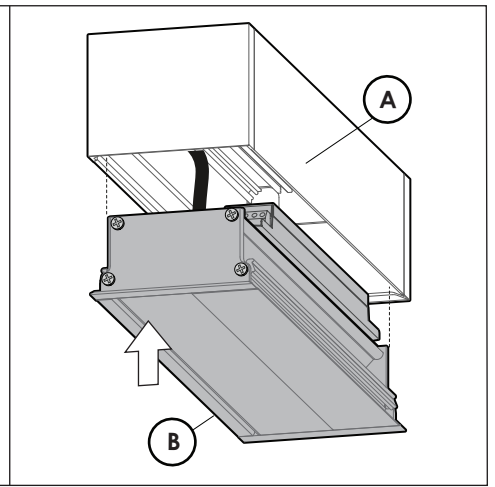
**3.**  
Fix the Earth lug into the threaded detail of the surfacebody(A).



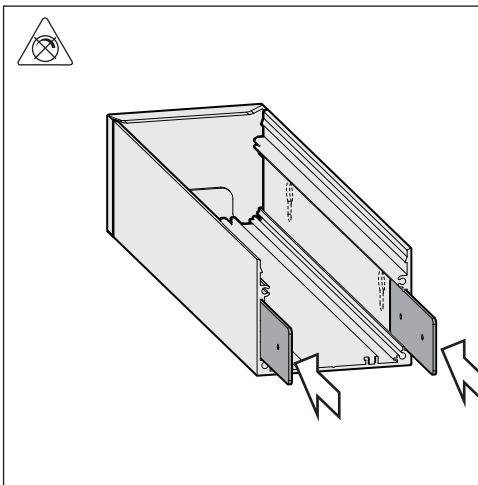
**4A. IF NON DIM**  
Wire primary wires into terminal.



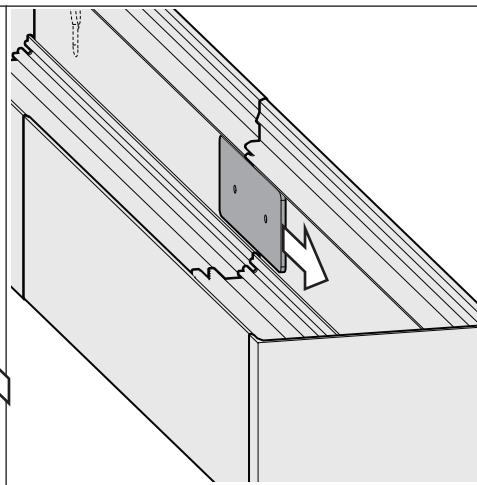
**4B. IF DIM.**  
Wire primary wires into terminal.  
Wire dimming wires into terminal.



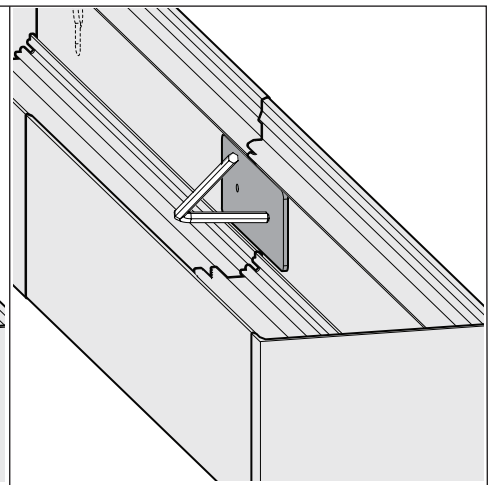
**5.**  
Snapfit mainbody(B) into surfacebody(A).



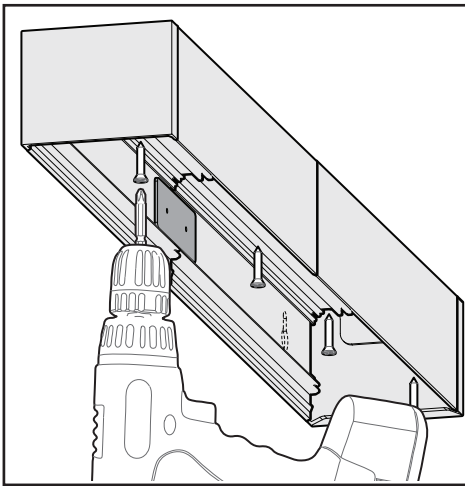
**6. IF MULTIPLE BODY**  
Slide linear connectors(F) into the sliding detail of the Surfacebody(A)



**7.**  
Butt-up second Surfacebody(A) and slide linear connectors(F) between bodies.

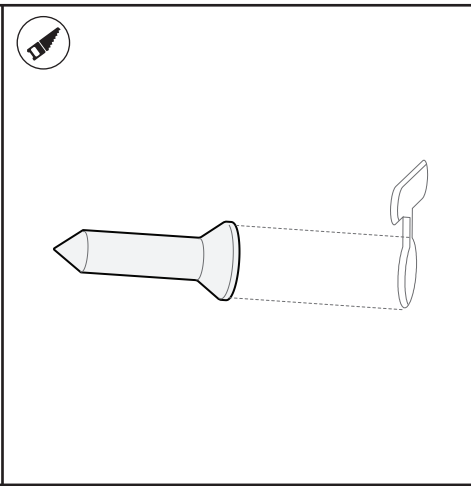


**8 .**  
Tighten all grub screws to lock linear connector in place with 4mm allen key.



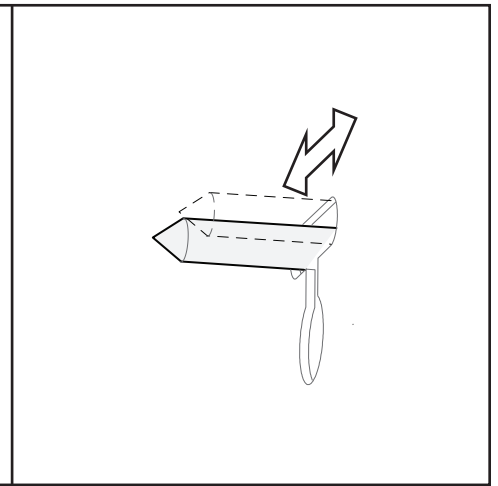
**9A. IF SURFACE MOUNTED.**

Fix surfacebody to ceiling with appropriate fasteners (fasteners not supplied)



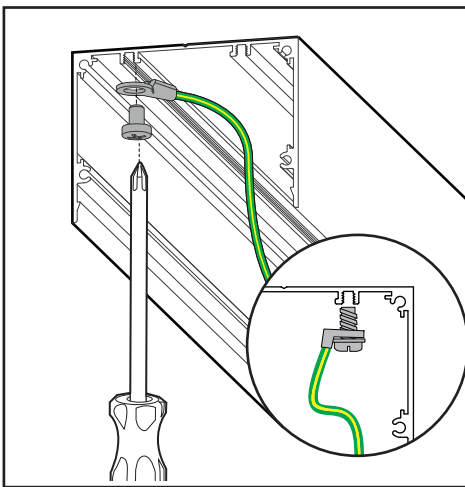
**9B1. IF EDGE MOUNTED.**

Fasten appropriate screws, ensuring fixing sits proud of the wall. Align the larger portion of keyholes to screw head and insert.

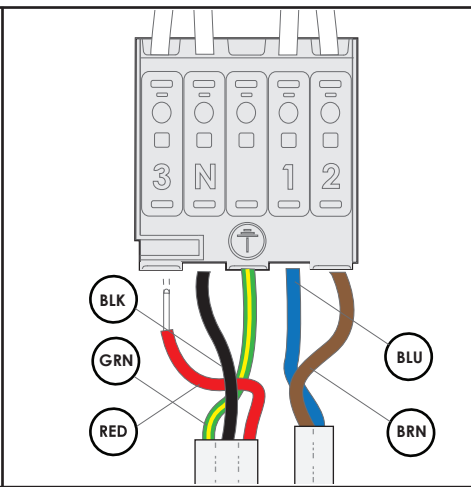


**9B2**

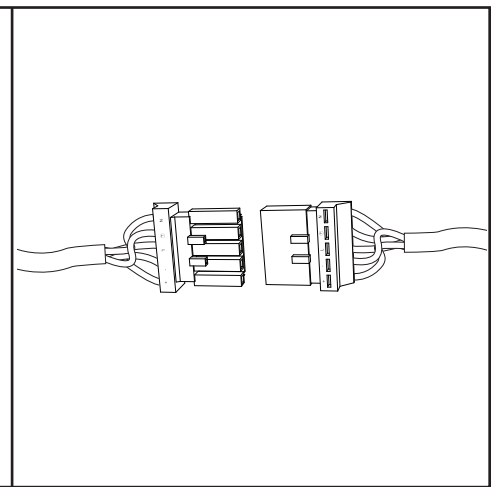
Slightly pull fitting down so that all screw heads are retained by the narrower portion of the keyhole. Multiple body fixings are supplied with elongated keyholes to allow for slight adjustability.



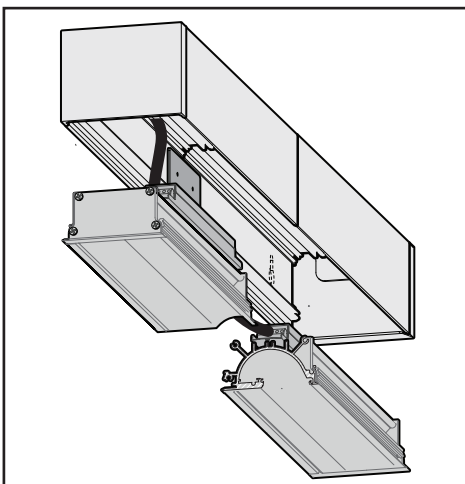
**10.**  
Fix the Earth lug into the threaded detail of the surfacebody(A).



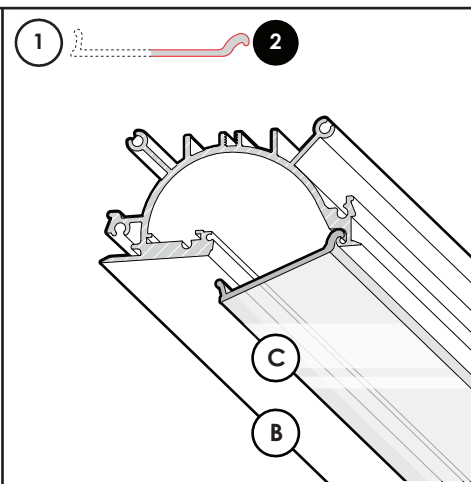
**11.**  
**NON DIM:** Wire primary wires into terminal.  
**DIM:** Also wire dimming wires into terminal.



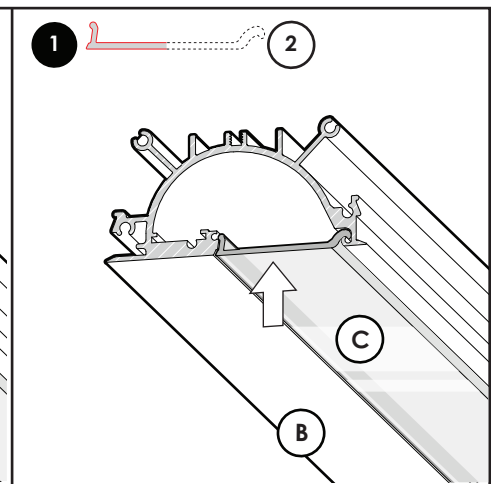
**12.**  
Connect the appropriate plugs.



**13.**  
Insert Mainbody(B) into the Recessedbody(A) with clip detail



**14. IF LENS NEEDS REINSTALLATION**  
Roll section 2 of Lens(C) into hooking detail of Mainbody(B)



**15.**  
Click section 1 of the Lens(C) into clipping detail of Mainbody(B)