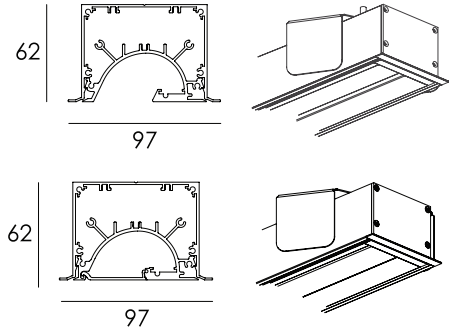


Ensure that products are mounted with supplied, recommended or appropriate screws and fixings to suit the mounting surface.

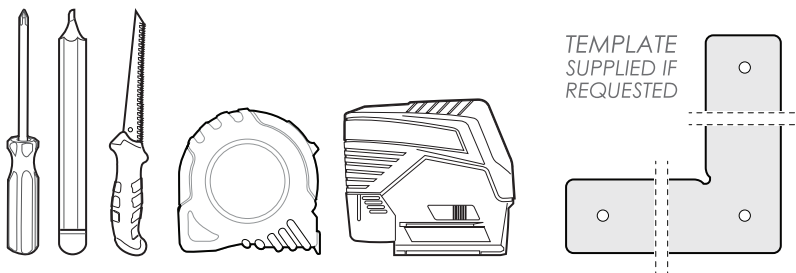
## WARNING

INSTALLATION IS ONLY TO BE CARRIED OUT BY SUITABLY QUALIFIED PERSONS IN ACCORDANCE WITH INSTALLATION INSTRUCTIONS AND ALL APPLICABLE REGULATIONS OR STANDARDS. (IMPROPER INSTALLATION CAN CREATE AN ELECTRICAL HAZARD WITH RISK OF ELECTRIC SHOCK, FIRE OR INJURY). DARKON WILL NOT BE HELD RESPONSIBLE FOR ANY CONSEQUENCES ARISING FROM IMPROPER PRODUCT HANDLING, STORAGE OR INSTALLATION.

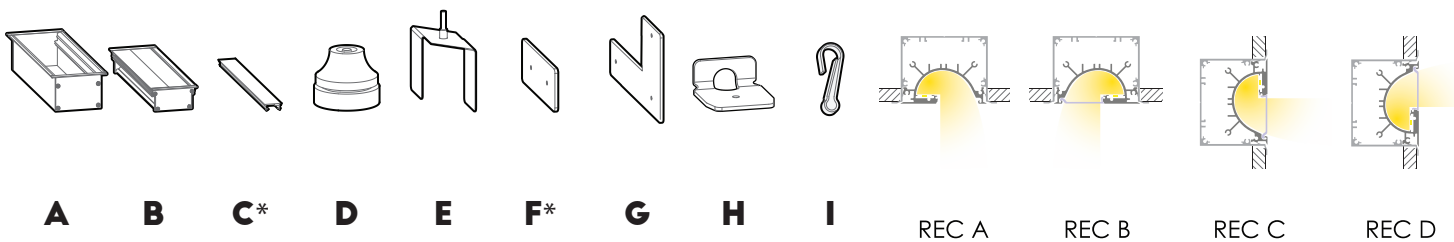


## TOOLS REQUIRED

SCREW DRIVER / PENCIL / WALLBOARD SAW / APPROPRIATE MEASURING INSTRUMENTS / LASER PLUM / TEMPLATE (IF REQUESTED ONLY)



## COMPONENTS



\*\*C LENS SUPPLIED ONLY W/ WYN IP22, F SUPPLIED WITH ONLY WITH MULTIPLE BODY FITTINGS

## MAINTENANCE



Wipe product with a clean dry microfiber cloth. Do not use any cleaning products/ chemicals to clean product.

## SERVICING

-Lens can be removed.  
-'Integral Driver' can be replaced if deemed faulty

## ORIENTATION

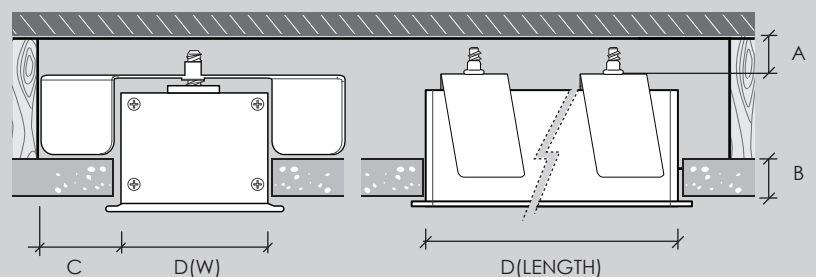
Ensure luminaire is correctly oriented to produce desired light direction.

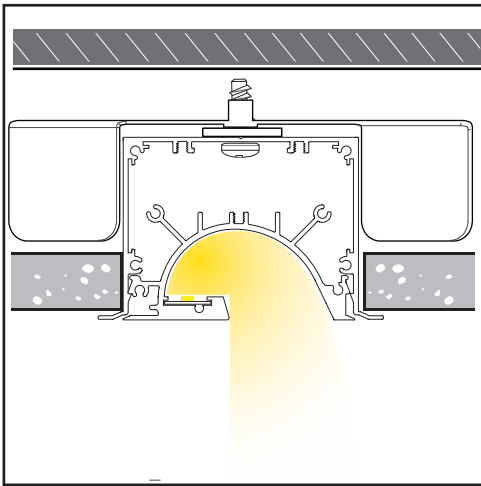
### DISTANCE

### DESCRIPTION

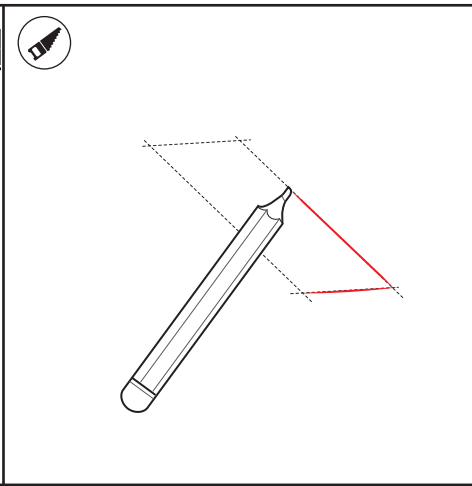
A)	40MM (MINIMUM)	CLEARANCE FOR TOP OF LUMINAIRE
B)	16MM (MAX)	MAXIMUM WALLBOARD THICKNESS
C)	50MM (MINIMUM)	CLEARANCE FOR SPRING CLIP
D)	LENGTH LESS 14MM 83MM	LENGTH CUTOUT WIDTH CUTOUT

FIGURE 1. CRITICAL DIMENSIONS

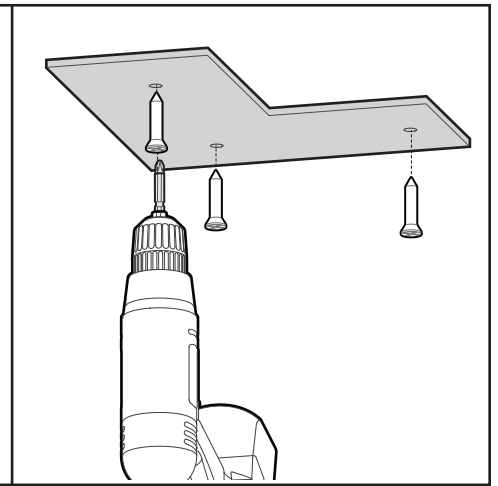




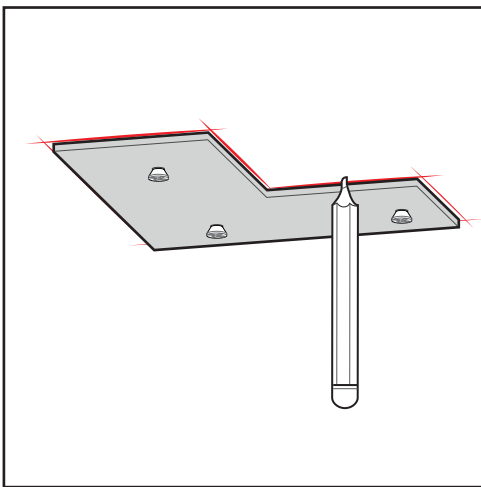
**1.**  
Ensure luminaire is correctly oriented to produce desired light direction.



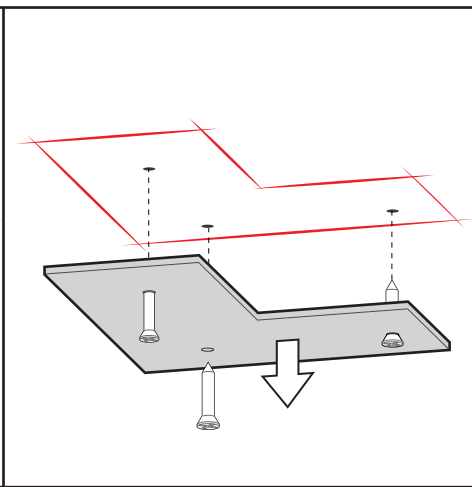
**2.**  
With a pencil, mark out the projected hole cut out for the fitting.



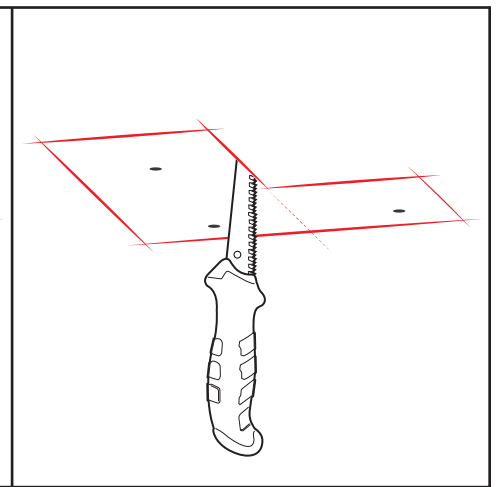
**2AI. IF USING TEMPLATE**  
Place template to necessary area and fix with appropriate fasteners (fasteners not supplied)



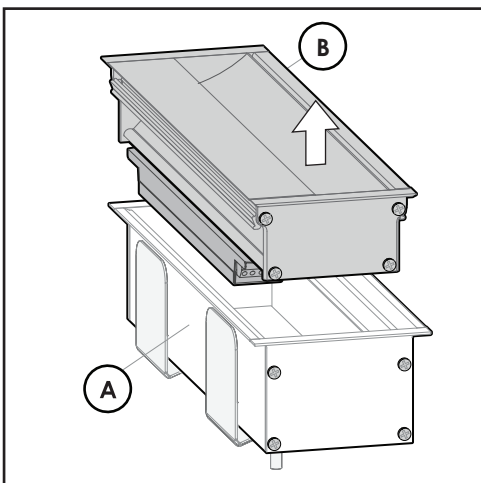
**2AII. IF USING TEMPLATE**  
Mark necessary cutout using template as guide.



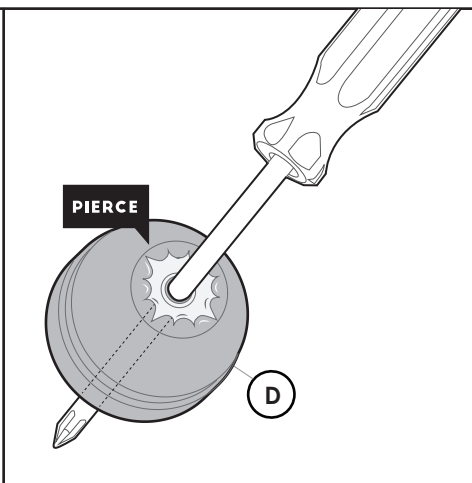
**2AIII. IF USING TEMPLATE**  
Remove Template & fasteners.



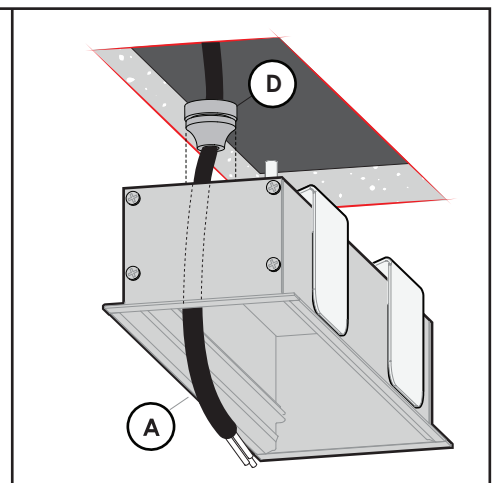
**3. IF USING TEMPLATE**  
Make the cut-out using a Wallboard Saw (refer to figure 1.)



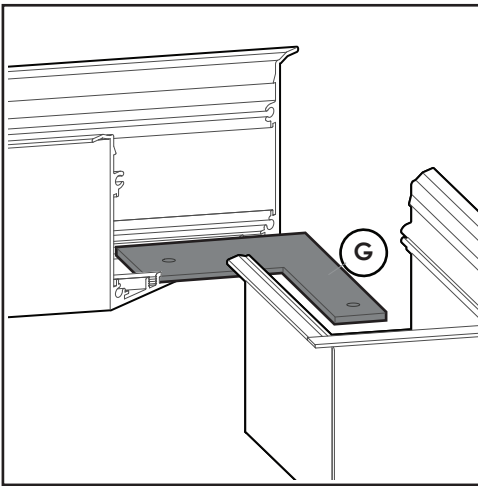
**4.**  
Unassemble fitting by removing Mainbody (B) from Recessbody (A)



**5.**  
Pierce the IP Grommet (D) with tip of screwdriver.

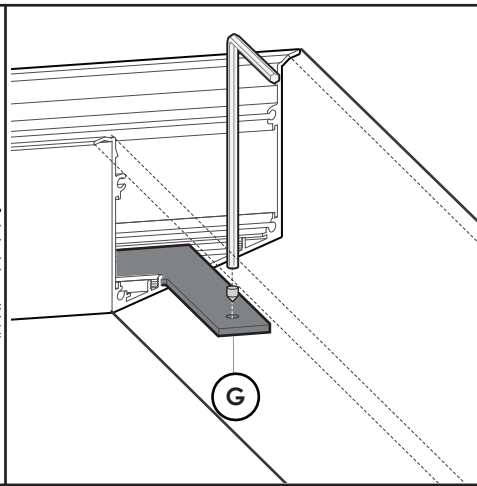


**6.**  
Feed Powerfeed (240V) through pierced IP Grommet (D) and insert back into cutout of Recessbody (A).



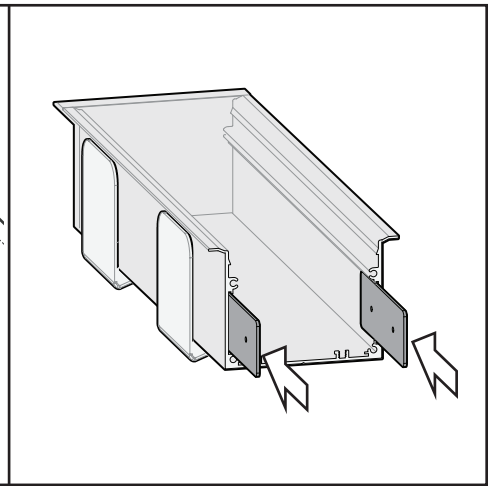
**6BI. IF MITRED**

Slide *Spine connectors*(G) into the top sliding detail of the *Recessedbody*(A)



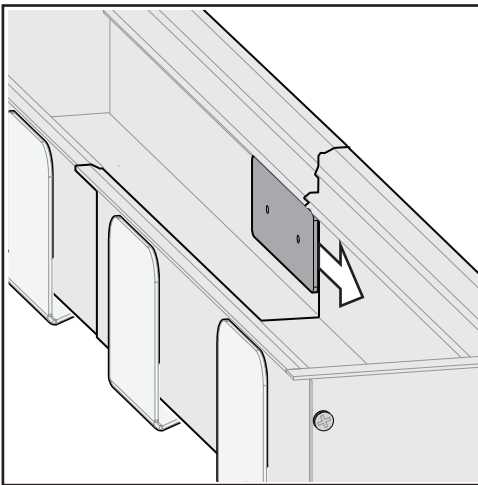
**6BII. IF MITRED**

Push *Recessedbodies*(A) together and fix *Mitre spine connector*(G) with 4mm Allen Key.



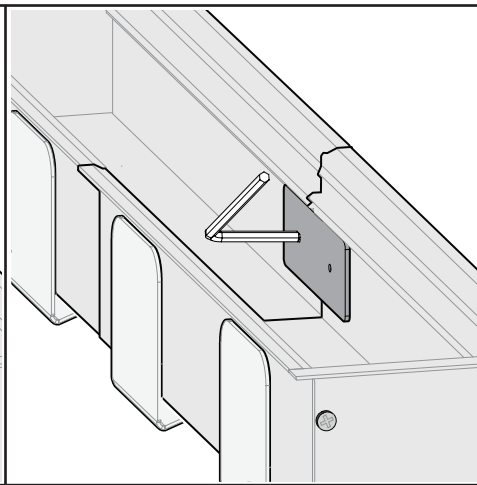
**6CI. IF SYSTEM**

Slide *linear connectors*(F) into the sliding detail of the *Recessedbody*(A)



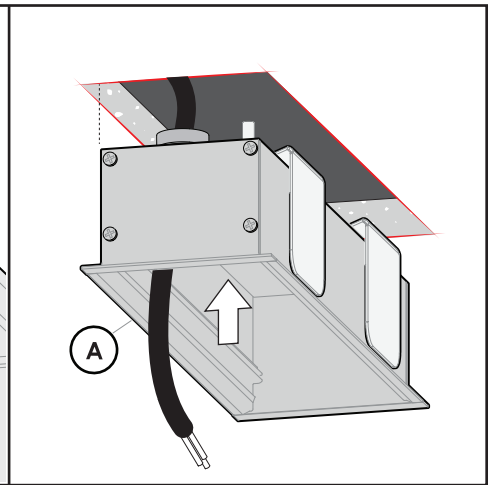
**6CII. IF SYSTEM**

Buttup second *Recessedbody*(A) and slide *linear connectors*(F) between *bodies*.



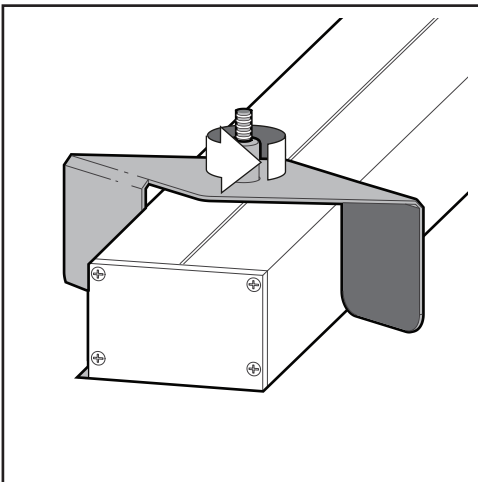
**6CIII. IF SYSTEM**

Tighten all grub screws to lock linear connector in place with 4mm allen key.

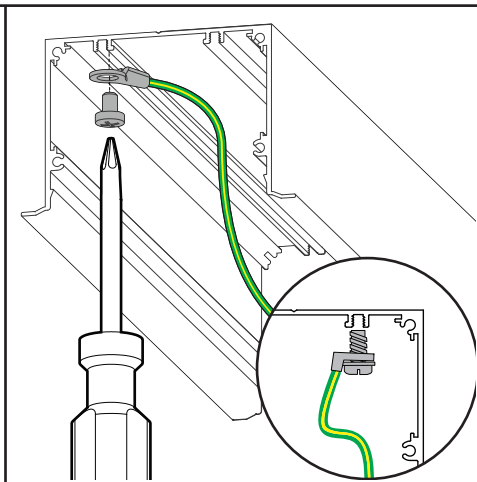


**7.**

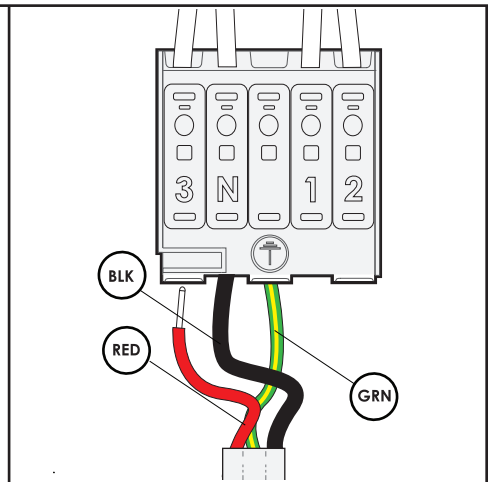
Insert fixed *Recessedbodies*(A) into cutout.



**8.** With a Phillips driver, screw the bolt in order to re-orientate the *Spring Clips*(E). Repeat on all *spring clips*(E) to fix the *Recessedbodies*(A) to ceiling.

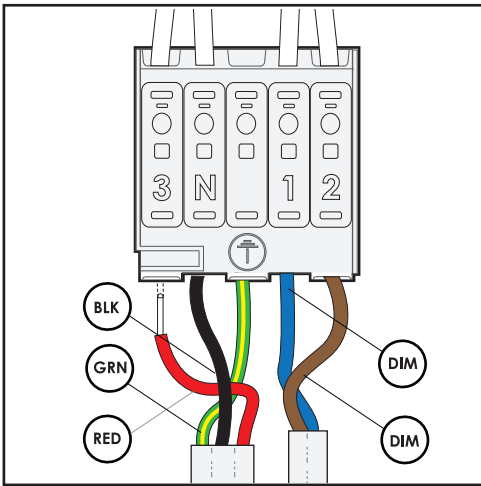


**9.** Fix the Earth lug into the threaded detail of the *Recessedbodies*(A).



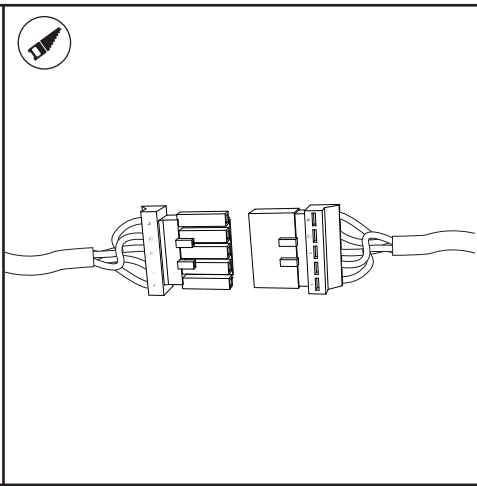
**10A. IF NON DIM**

Wire primary wires into terminal.



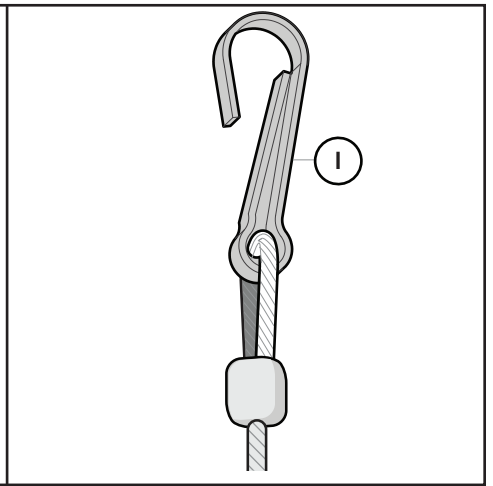
**10B. IF DIM.**

Wire primary wires into terminal.  
Wire dimming wires into terminal.



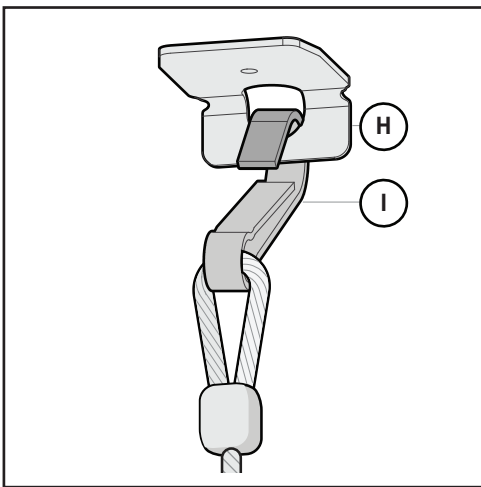
**11. IF SYSTEM**

Connect the appropriate plugs.

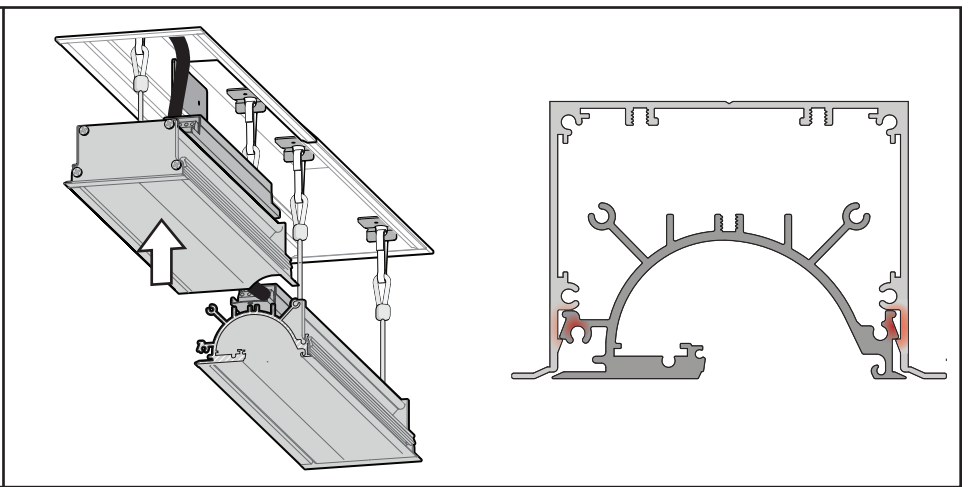


**12.**

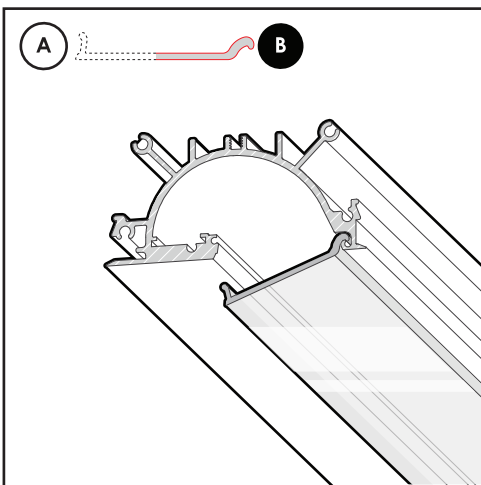
Press lever of shackle.



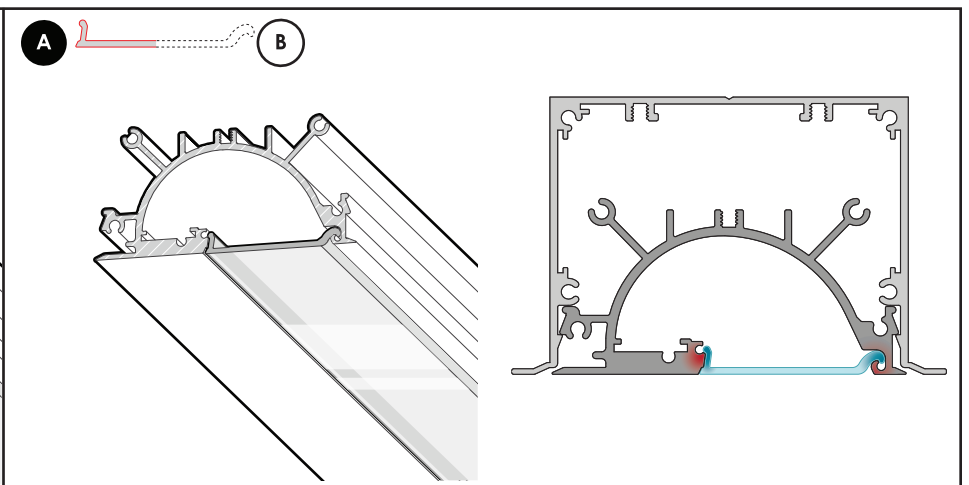
**13.**  
Clip all supplied Lanyards(I) to Bracket(H) found on the Recessedbody(A).



**14.**  
Insert and click the Mainbody(B) into the clipping detail of Recessedbody(A)



**15. IF LENS NEEDS REINSTALLATION**  
Roll section B of Lens(C) into hooking detail of Mainbody(B)



**16. IF LENS NEEDS REINSTALLATION**  
Click section a of the Lens(C) into clipping detail of Mainbody(B)