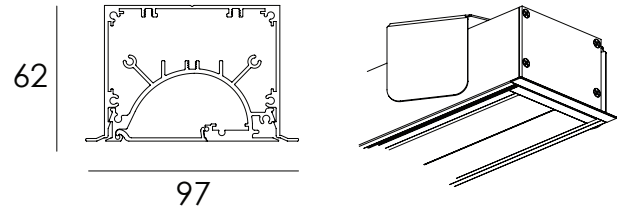


INSTALLATION:

Ensure that products are mounted with supplied, recommended or appropriate screws and fixings to suit the mounting surface.



WARNING: Installation is only to be carried out by suitably qualified persons in accordance with installation instructions and all applicable regulations or standards. (Improper installation can create an electrical hazard with risk of electric shock, fire or injury). Darkon will not be held responsible for any consequences arising from improper product handling, storage or installation.



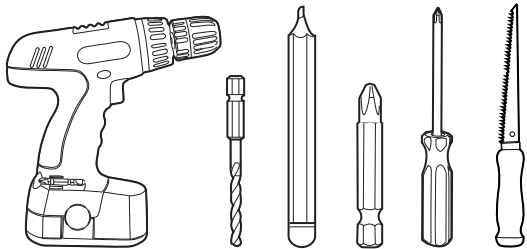
TOOLS REQUIRED:

Power drill / Drill bit / Phillips Driver / Pencil / Wallboard Saw / Phillips Screwdriver

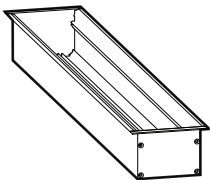


CUT OUT

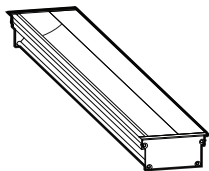
LENGTH LESS **14MM X 83MM W**



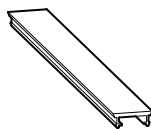
COMPONENTS:



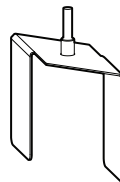
A XI



B XI



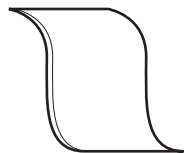
C XI



D X2**

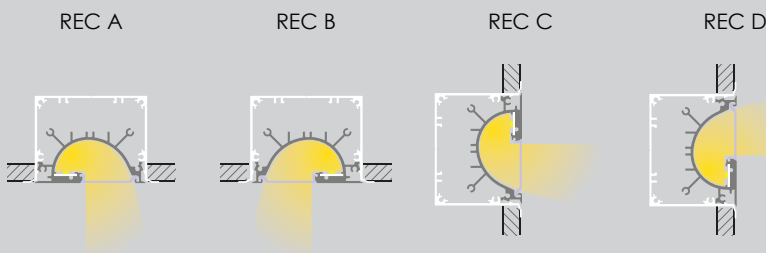


E XI

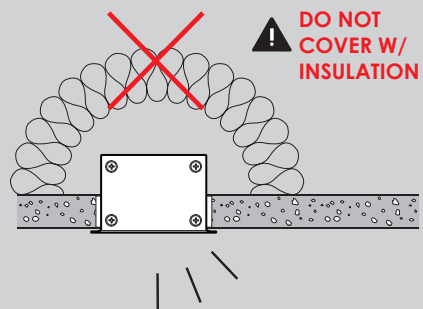


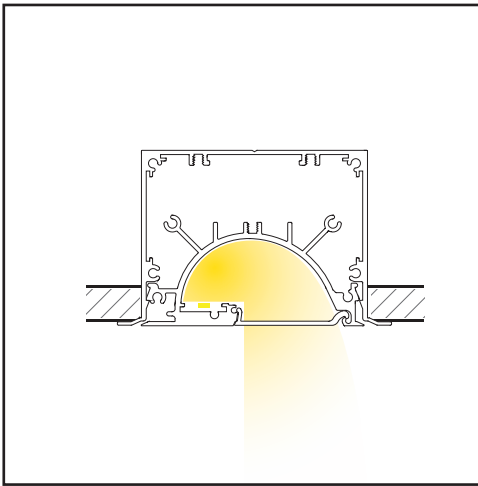
F X2

RECESSED ORIENTATIONS

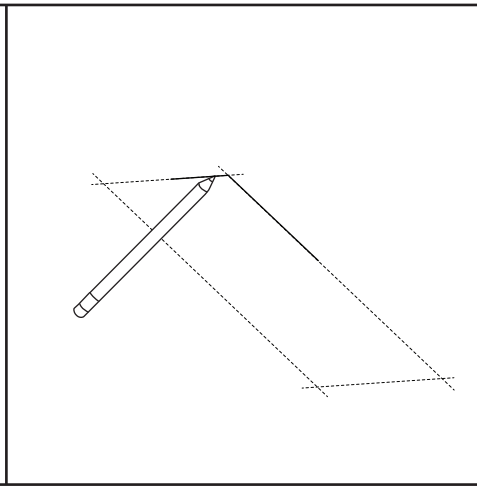


MINIMUM AREA REQUIREMENTS

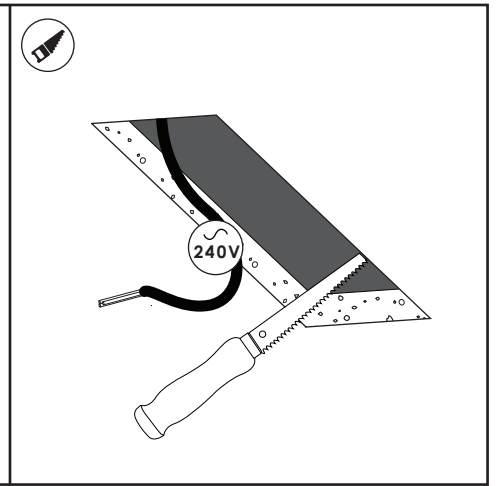




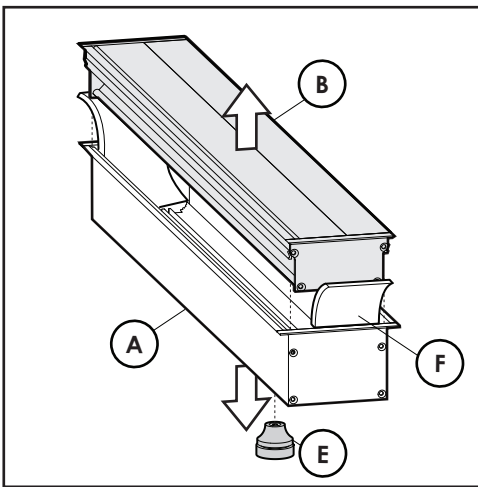
1.
-Ensure luminaire is correctly oriented to produce desired light direction.



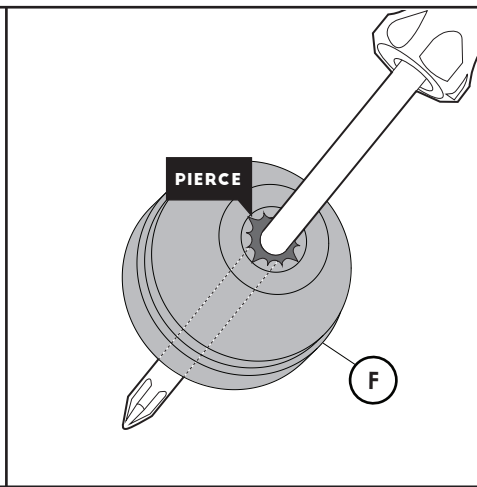
2.
-Measure and mark the appropriate cut out for luminaire.



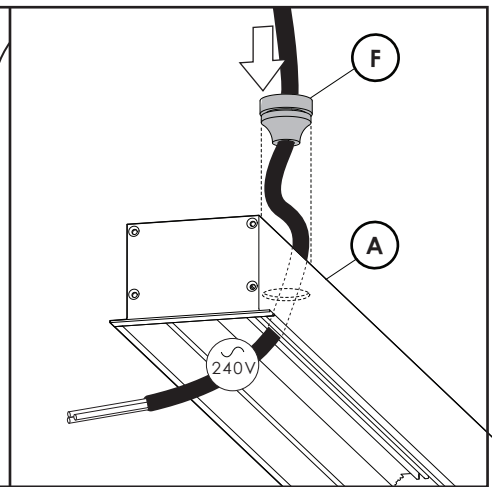
3.
-Make the cut-out using a Wallboard Saw. Pull mains cable through ceiling (240V).



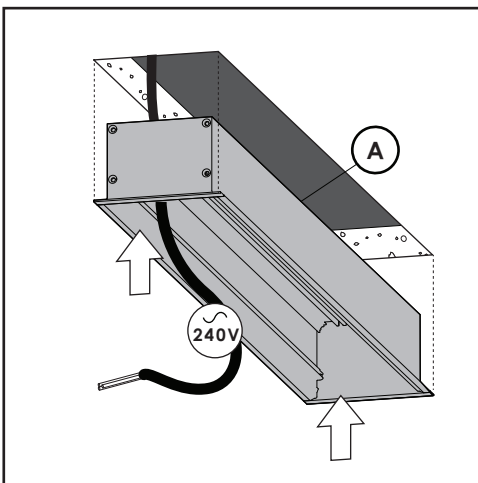
4.
-Unassemble fitting by removing mainbody(B) from recessbody(A)



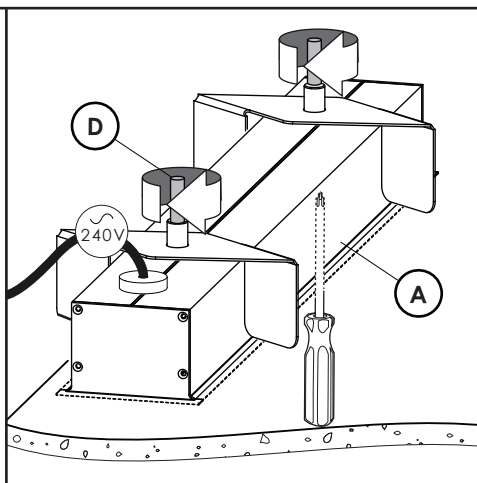
5.
-Pierce the IP Grommet(F) with tip of screwdriver.



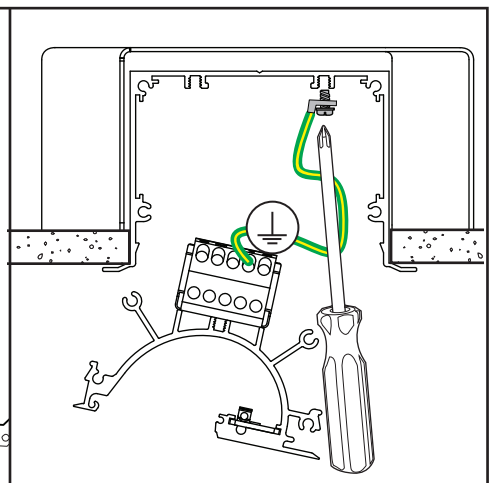
6.
-Feed Powerfeed(240V) through pierced IP Grommet(F) and insert back into cutout.



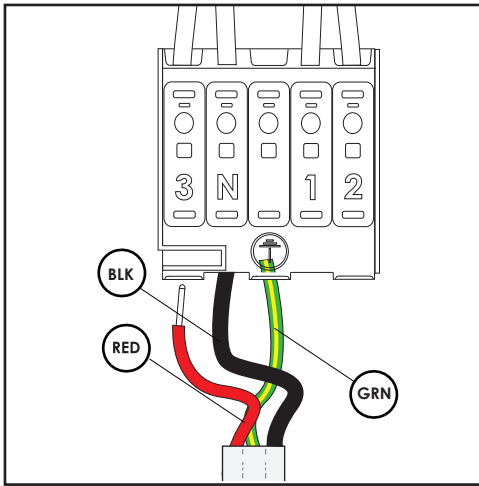
8.
-Insert Recessedbody(A) into cutout.



9.
With a Phillips driver, screw the bolt in order to re-orientate the spring clips(D). Repeat on all spring clips(D) to fix the Recessbody(A) to ceiling.

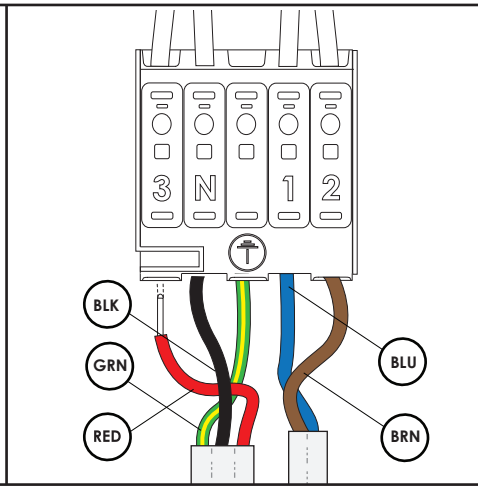


10.
-Fix the Earth lug into the threaded detail of the recess body.



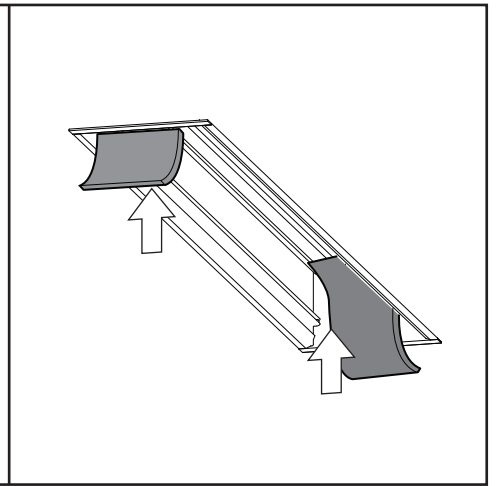
11A. IF NON DIM

-Wire primary wires into terminal.



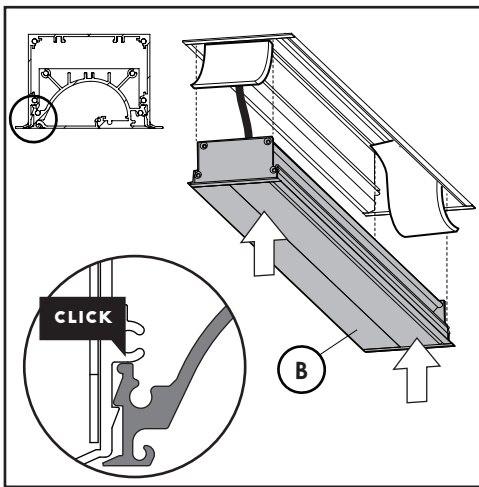
11B. IF DIM.

-Wire primary wires into terminal.
-Wire dimming wires into terminal.



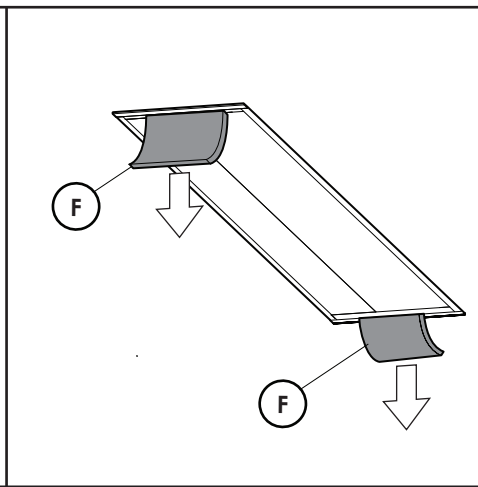
12.

-Place tabs(F) on each end of recessbody(A).
Tabs to be sandwiched between (B) and (A)



13.

-Insert mainbody into the recessed body with clip detail (inset).



14.

-Gently wiggle and remove tabs to ensure IP rated gasket is installed correctly in place.