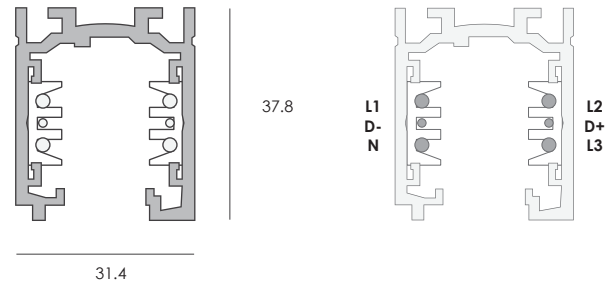


Ensure that products are mounted with supplied, recommended or appropriate screws and fixings to suit the mounting surface.

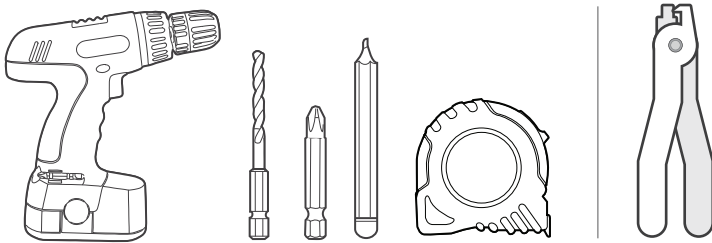
## WARNING

INSTALLATION IS ONLY TO BE CARRIED OUT BY SUITABLY QUALIFIED PERSONS IN ACCORDANCE WITH INSTALLATION INSTRUCTIONS AND ALL APPLICABLE REGULATIONS OR STANDARDS. (IMPROPER INSTALLATION CAN CREATE AN ELECTRICAL HAZARD WITH RISK OF ELECTRIC SHOCK, FIRE OR INJURY). DARKON WILL NOT BE HELD RESPONSIBLE FOR ANY CONSEQUENCES ARISING FROM IMPROPER PRODUCT HANDLING, STORAGE OR INSTALLATION.



## TOOLS REQUIRED

DRILL /



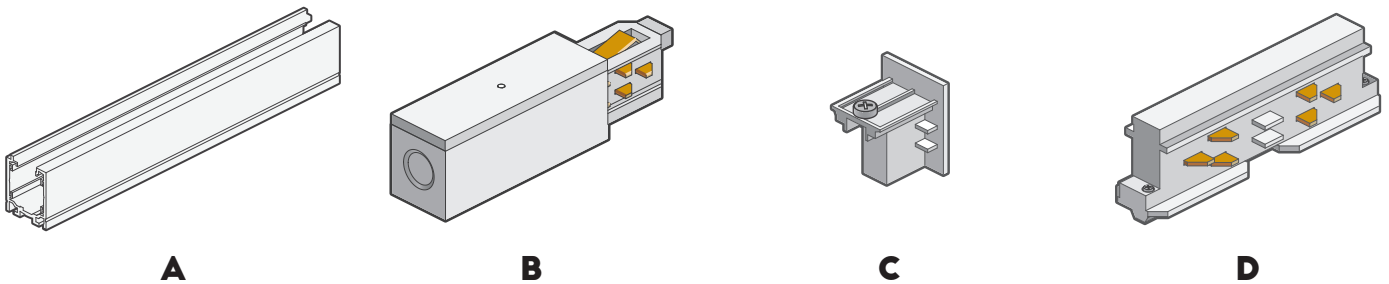
SUPPLIED IF  
MULTIPLE BODY  
SYSTEMS

## MAINTENENCE



Wipe product with a clean dry microfiber cloth.  
Do not use any cleaning products/ chemicals to clean product.

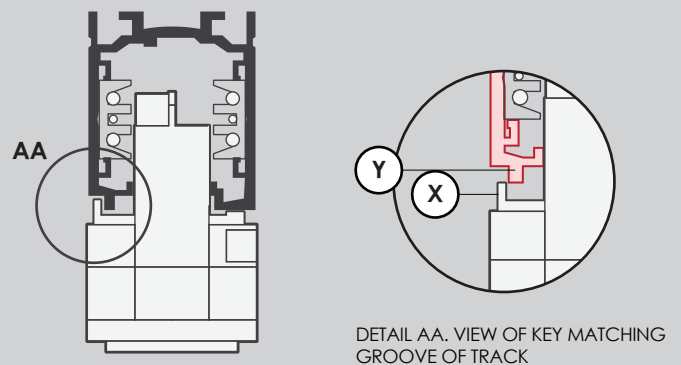
## COMPONENTS

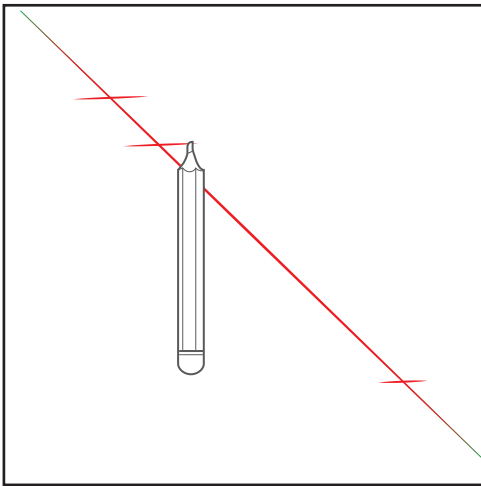


## NOTES

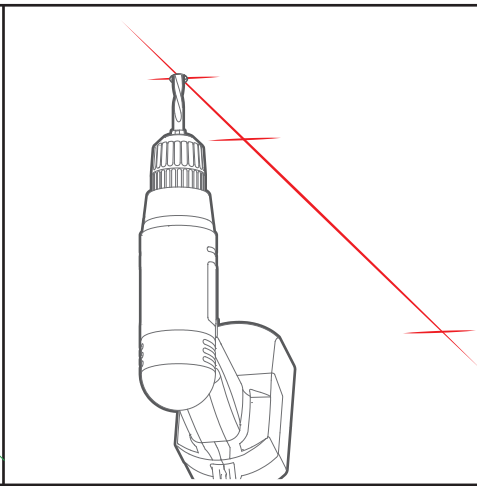
FIGURE 1. CRITICAL ORIENTATION

**!!INSERT THE ADAPTER INTO THE TRACK SO THAT THE MECHANICAL KEY(X) MATCHES THE GROOVE (Y) IN TRACK!!**

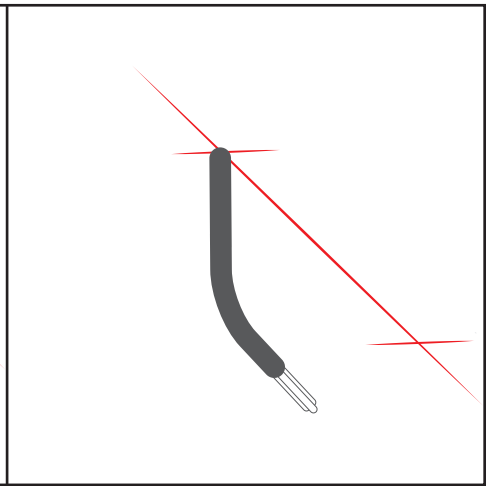




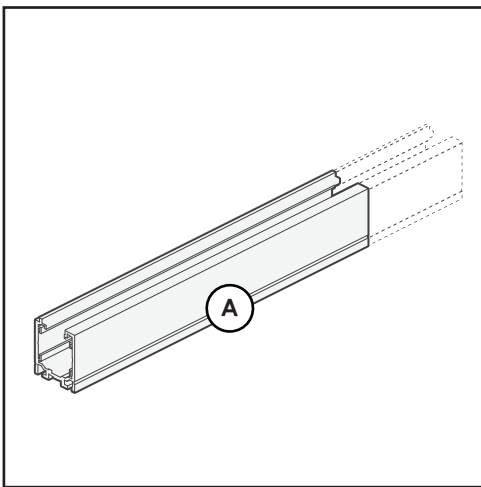
**1.**  
Measure and mark the appropriate placement of luminaire.



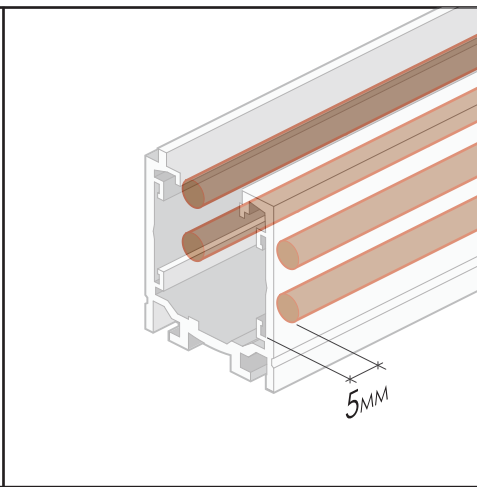
**2.**  
Drill all necessary holes with an appropriate drill bit.



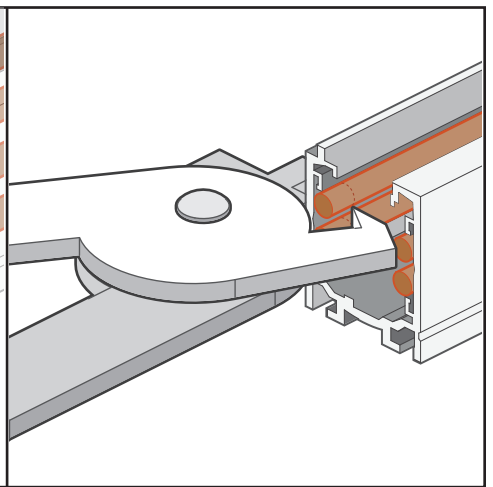
**3.**  
Pull power cable(240V) through ceiling.



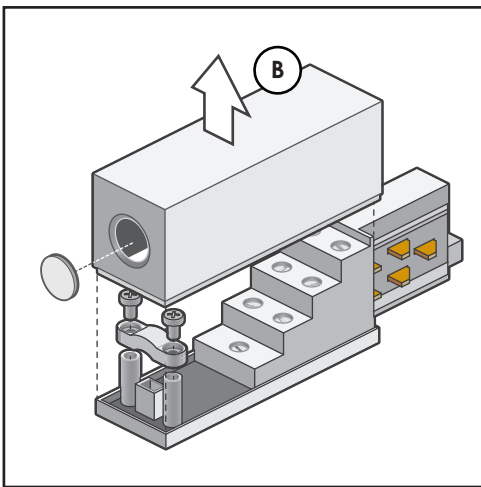
**4A. IF DOCKING LENGTH**  
Dock track body(A) to desired length by using drop saw and appropriate metal blade.



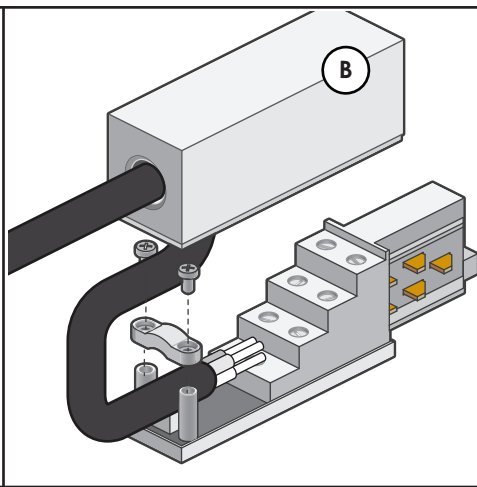
**4B. IF DOCKING LENGTH**  
Ensure copper connectors are 5mm less than Track body(A).



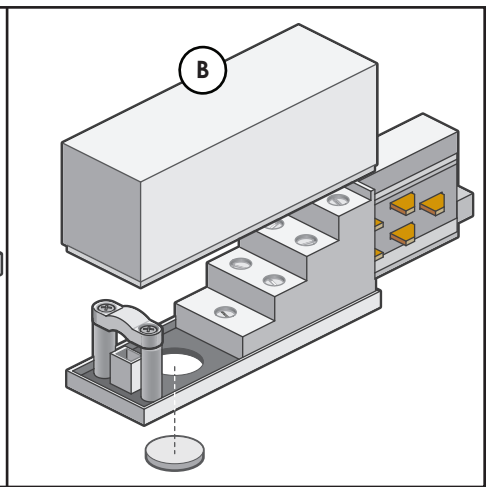
**4C. IF DOCKING LENGTH**  
Use supplied tool to remove 5mm of copper.



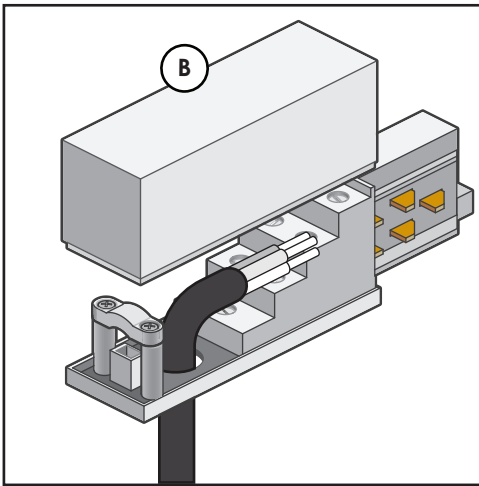
**5A. IF END FEED**  
Unassemble live adapter(B) and remove end pop out detail. Retain saddle & fasteners.



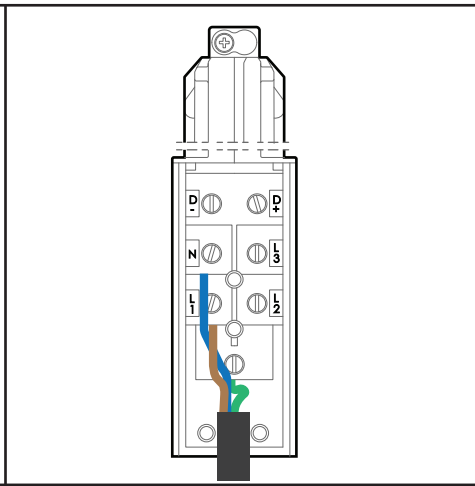
**6A. IF END FEED**  
Feed power cable through rear cutout and thread through saddle. Fix saddle clamp.



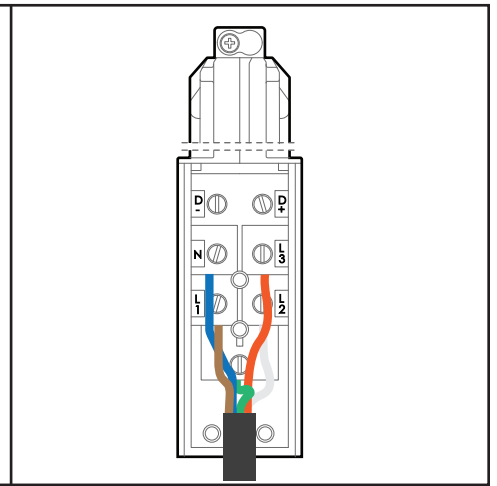
**5B. IF REAR FEED**  
Unassemble live adapter(B) and remove rear pop out detail.



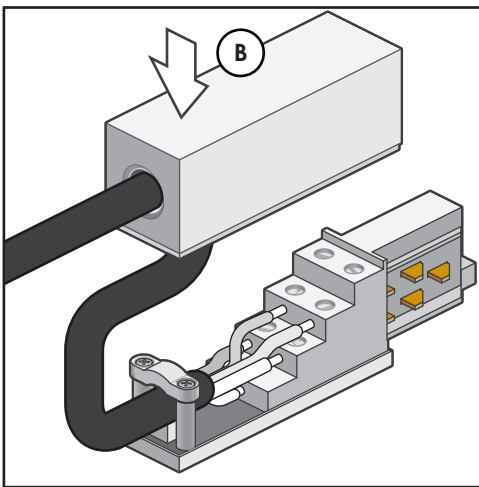
**6B. IF REAR FEED**  
Feed power cable through rear cutout.



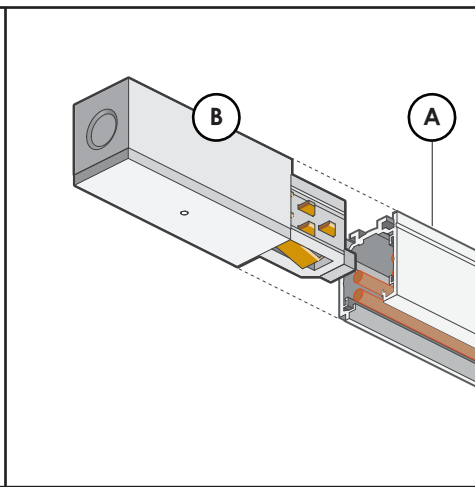
**7A. IF NON DIM**  
Wire primary wires into terminal.



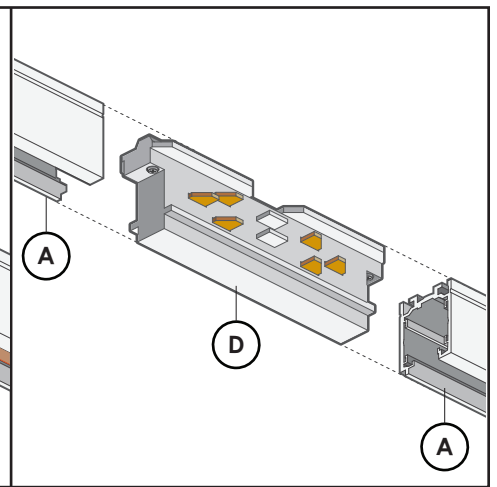
**7B. IF DIM**  
Wire primary wires into terminal.  
Wire Dimming wires into terminal.



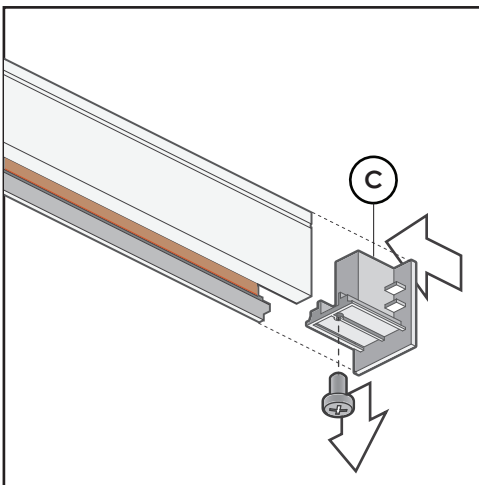
**8.**  
Re-attach back of live adapter by clipping into detail.



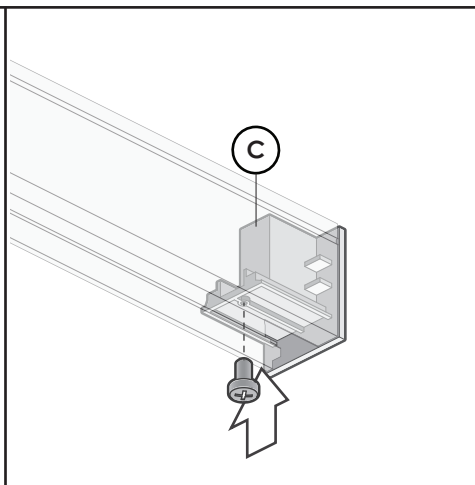
**9.**  
Insert live adapter (B) into track body (A). Ensure mechanical key matches the groove in the track.  
See Figure 1.



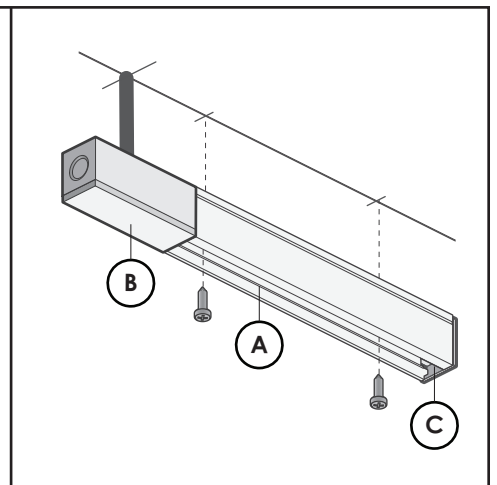
**10. IF SYSTEM**  
Insert 'I Connector' (D) into track body (A). Attach additional body to end of I connector. Ensure mechanical key matches the groove in the track.  
See Figure 1.



**11.**  
Remove fastener & retain. Insert 'endcap' (C) to end of track body (A).



**12.**  
Fix fastener to secure endcap into body.



**13.**  
Fix track into ceiling using appropriate fasteners (*fasteners not supplied*).