

SLIM TRIM IP67 MK4

RECESSED PROFILE



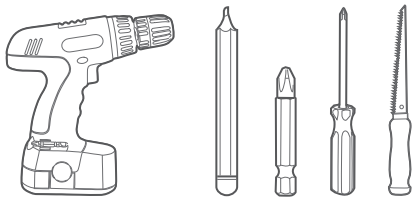
Ensure that products are mounted with supplied, recommended or appropriate screws and fixings to suit the mounting surface.

WARNING

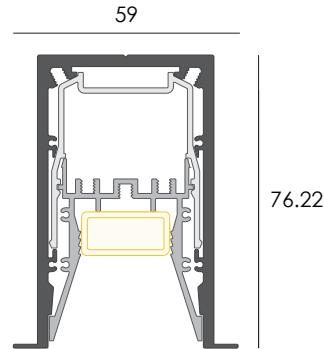
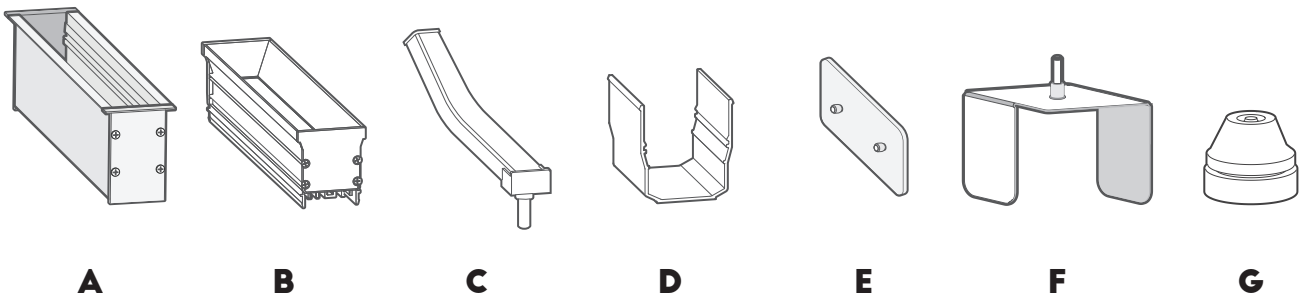
INSTALLATION IS ONLY TO BE CARRIED OUT BY SUITABLY QUALIFIED PERSONS IN ACCORDANCE WITH INSTALLATION INSTRUCTIONS AND ALL APPLICABLE REGULATIONS OR STANDARDS. (IMPROPER INSTALLATION CAN CREATE AN ELECTRICAL HAZARD WITH RISK OF ELECTRIC SHOCK, FIRE OR INJURY). DARKON WILL NOT BE HELD RESPONSIBLE FOR ANY CONSEQUENCES ARISING FROM IMPROPER PRODUCT HANDLING, STORAGE OR INSTALLATION.

TOOLS REQUIRED

POWER DRILL / PENCIL / PHILLIPS DRIVER / SCREWDRIVER
WALLBOARD SAW



COMPONENTS



MAINTENANCE

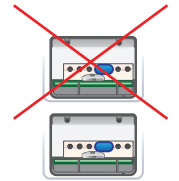
Wipe product with a clean dry microfiber cloth. Do not use any cleaning products/chemicals to clean product.



SERVICING

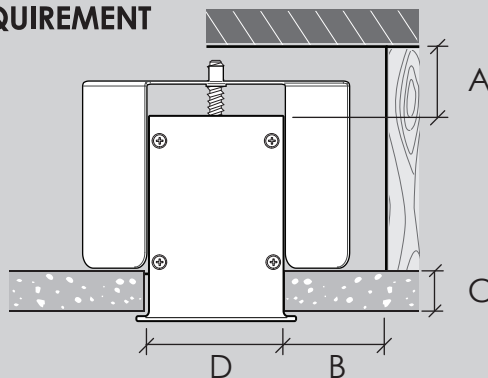
'Remote driver' can be replaced if deemed faulty.

FOR OPTIMAL LONGEVITY, ENSURE UNRESTRICTED AIRFLOW OVER LUMINAIRE & REMOTE DRIVER. **DO NOT COVER LUMINAIRE OR DRIVER WITH INSULATION. DO NOT STACK DRIVERS.**



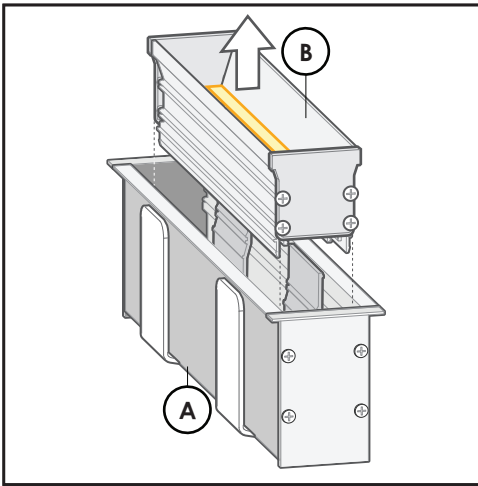
MINIMUM AREA REQUIREMENT

FIGURE 1.
FOR OPTIMAL LONGEVITY, ENSURE UNRESTRICTED AIRFLOW OVER LUMINAIRE
DO NOT COVER W/ INSULATION

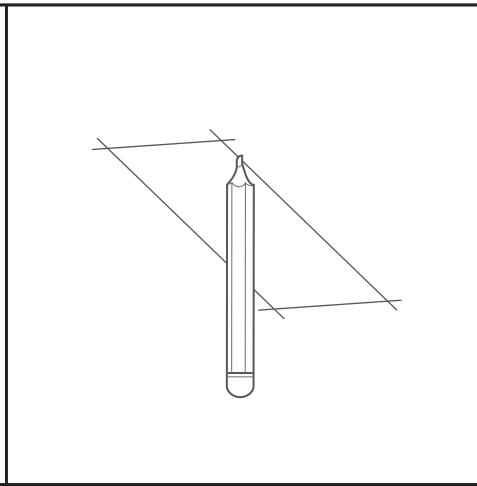


	DISTANCE	DESCRIPTION
A)	40MM	CLEARANCE FOR TOP OF LUMINAIRE
B)	45MM	CLEARANCE B/W STRUCTURAL MEMBER
C)	20MM	MAXIMUM WALL BOARD THICKNESS
D)	50MM	CUTOUT WIDTH

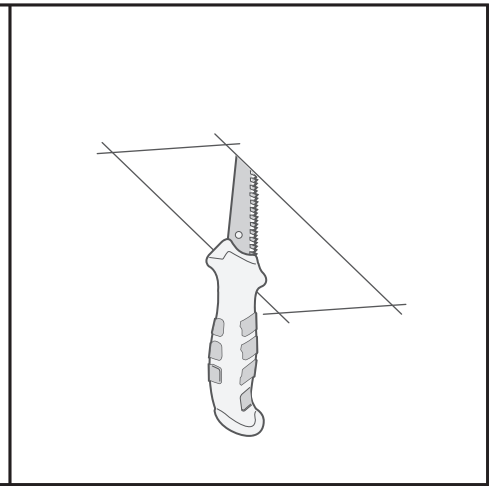




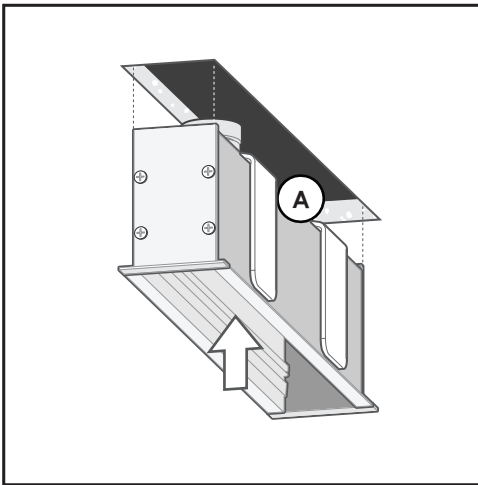
1. Remove Gear Tray(B) using a flat screw driver to lever out of clips.



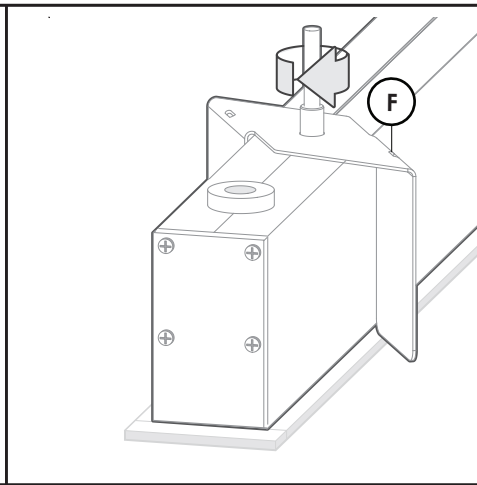
2. Measure and mark the appropriate cut out for where the fitting is to be installed.
See figure 1.



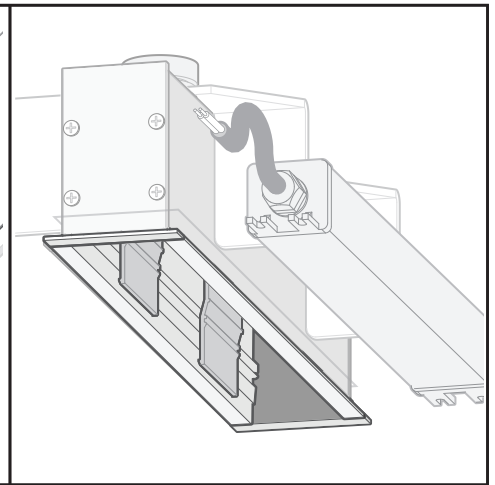
3. Make the cut-out using a Wallboard Saw(or appropriate tool).



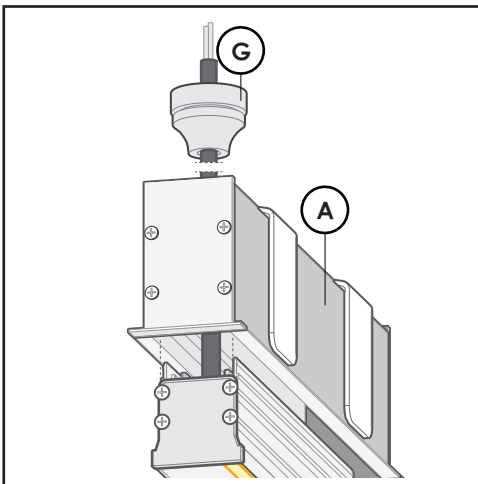
4. Insert Recessed body(A) into the cut out.



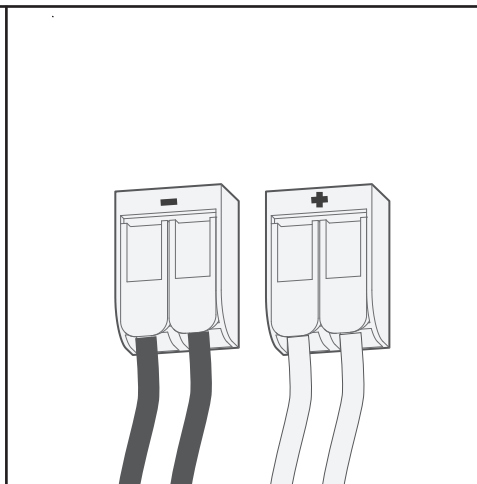
5. With a Screwdriver; screw the bolt in Spring Clips(F) to suspend the light fixture.



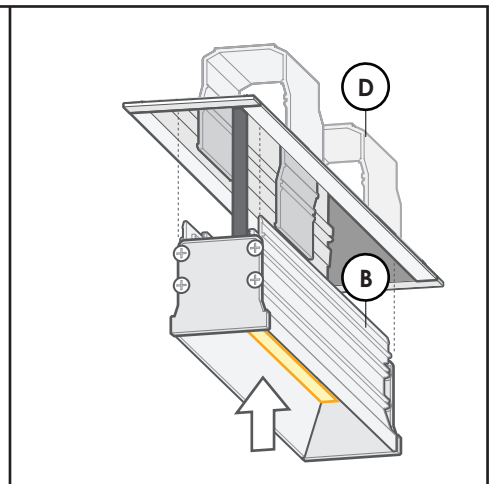
6. Install remote driver and pull secondary wires to Recessed body(A).



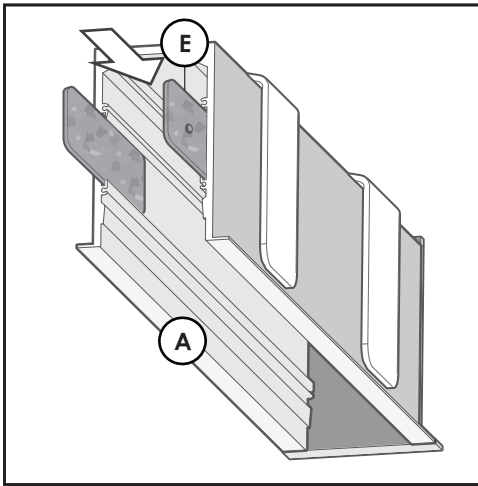
7. Feed power cable through Recessed body(A) and IP rated grommet(G).



8. Connect necessary plugs.

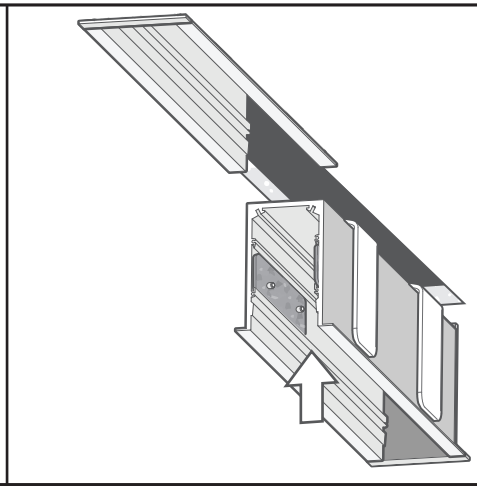


9. Install Gear Tray(B) by snap fitting into Clips(D). Centre Gear Tray(D).



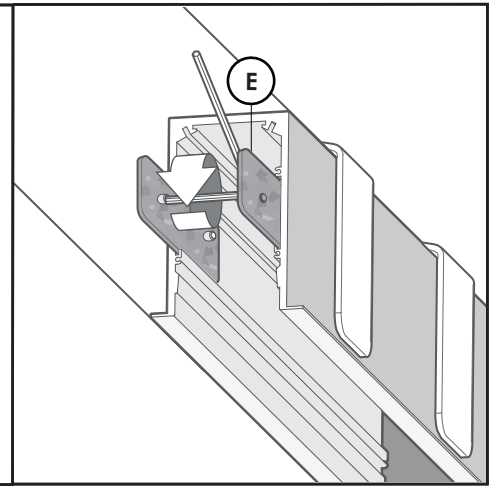
10. IF MULTIPLE BODIES

Slide *Linear Connectors(E)* into sliding detail of *Recessed body(A)*.



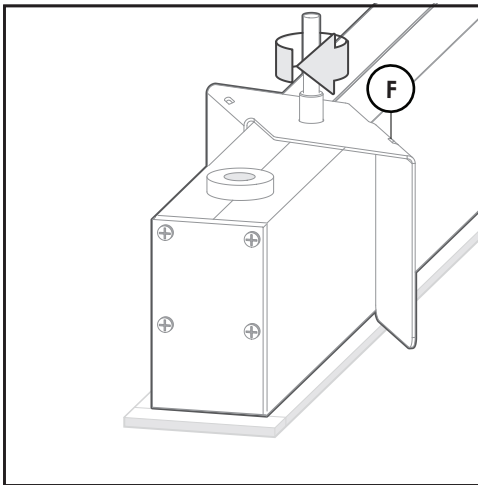
11.

Replicate stage 1-11 by installing first *Recessed body(A)*. Insert second *Recessed body(A)*.



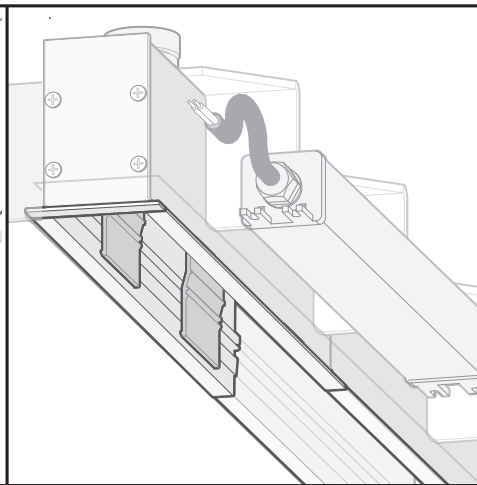
12.

Slide *Linear Connector(E)* between bodies. Fasten all grub screws to fix multiple bodies together.



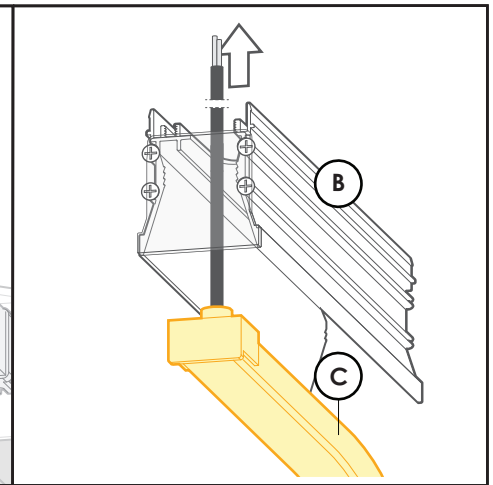
13.

With a *Screwdriver*; screw the bolt in *Spring Clips(F)* to suspend the light fixture.



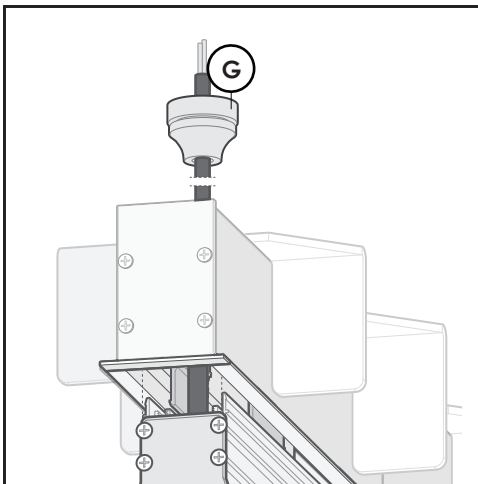
14.

Install remote driver and pull secondary wires to *Recessed body(A)*.



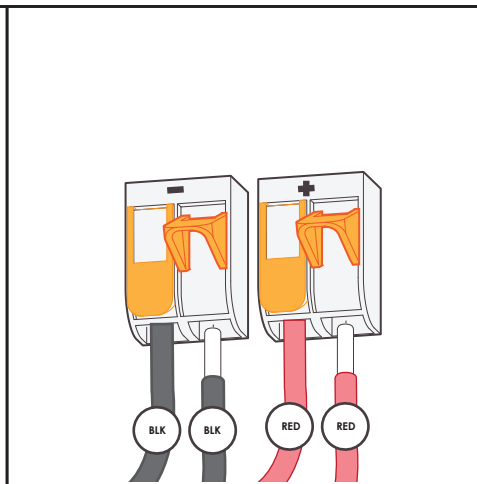
15.

Unravel *Flexible LED(C)* and feed power cable through cutout of *Gear Tray(B)*.



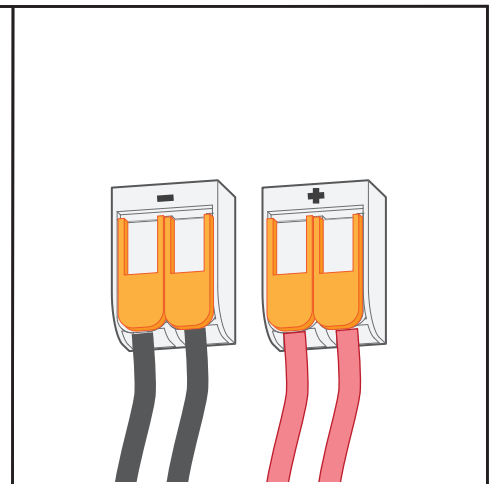
15.

Feed power cable through *Recessed body(A)* and *IP rated Grommet(G)*.



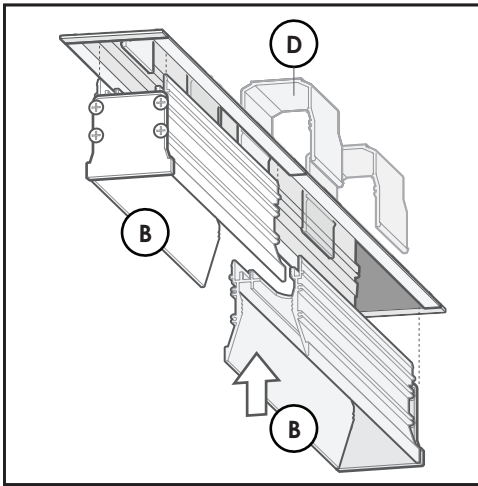
16.

Insert secondary wires into plugs.

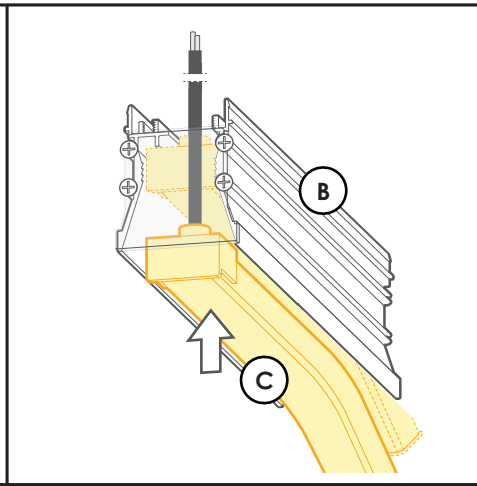


17.

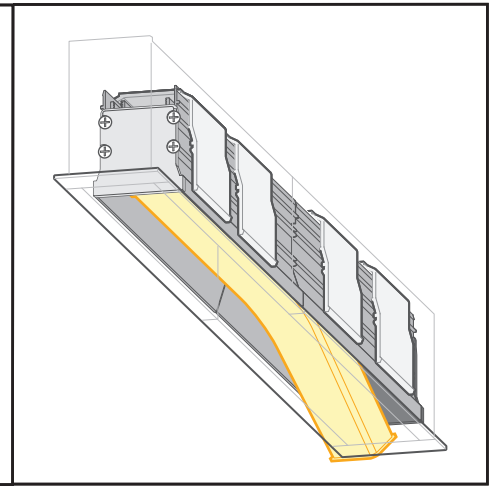
Connect necessary plugs.



18. Install Gear Tray(B) by snap fitting into Clips(D). Centre Gear Tray(B).



19. Seat Flexible LED(C) into start Gear Tray(B) by pressing into 'tooth' detail of Gear Tray. Press hard up against endcap.



20. Seat remainder of Flexible LED(G) into 'End' Gear Tray by pressing into 'tooth' detail of Gear Tray(B).