

SLIM H LED WALL

WALL MOUNTED PROFILE

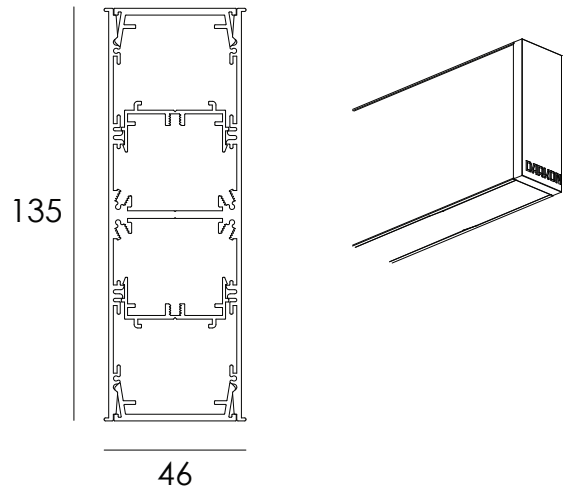
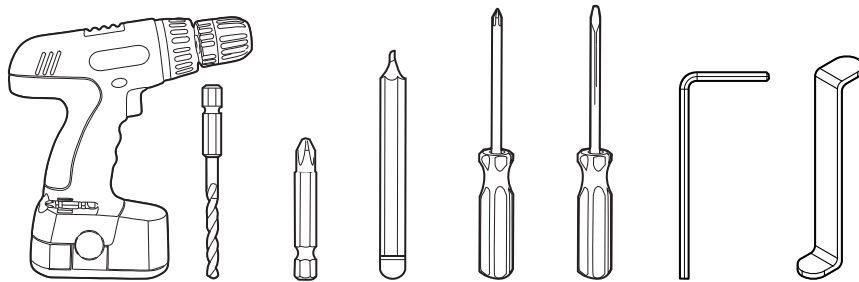
DARKON™
THE EDGE OF LIGHT

INSTALLATION: Ensure that products are mounted with supplied, recommended or appropriate screws and fixings to suit the mounting surface.

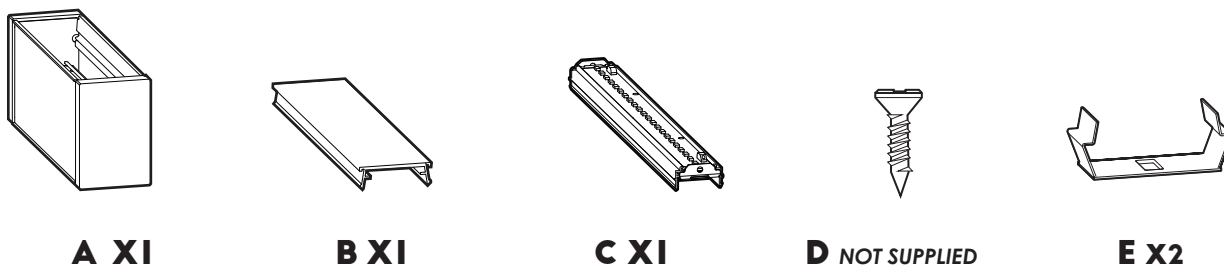
WARNING: Installation is only to be carried out by suitably qualified persons in accordance with installation instructions and all applicable regulations or standards. (Improper installation can create an electrical hazard with risk of electric shock, fire or injury). Darkon will not be held responsible for any consequences arising from improper product handling, storage or installation.

TOOLS REQUIRED:

Power drill / Drill bit / Drill Driver / Pencil / Phillips Screwdriver / Flathead / Allen Key / Lens Tool

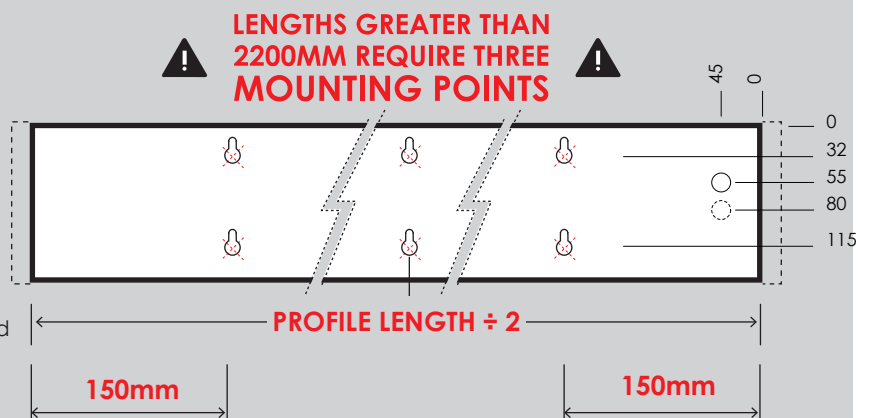


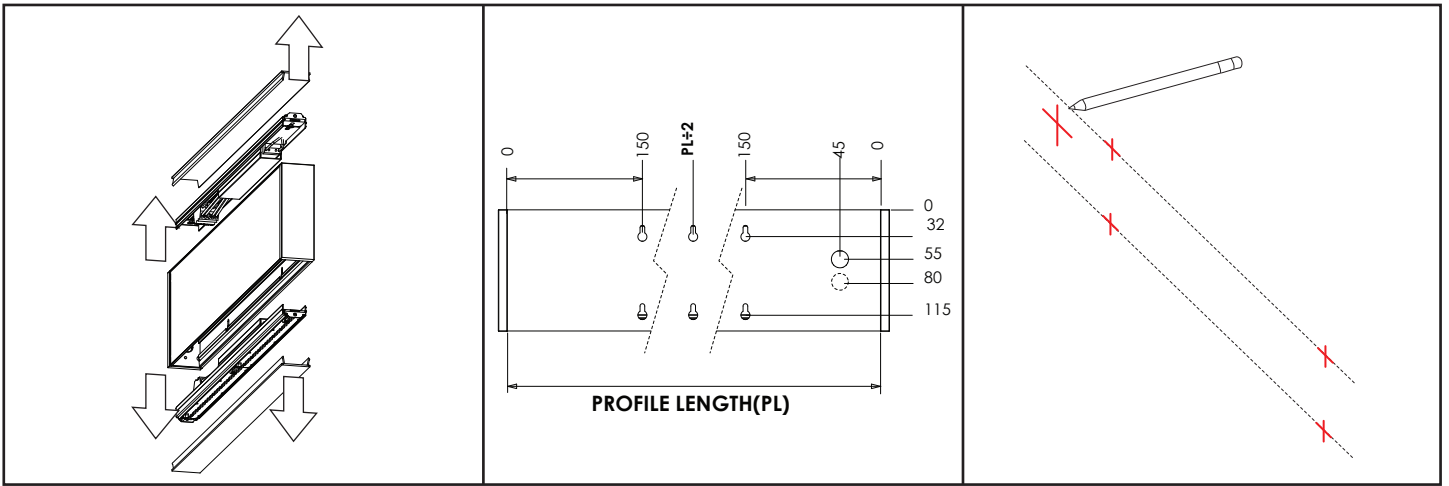
COMPONENTS:



NOTE:

- Component quantity indicative of single body fittings only.
- Available in single or dual powerfeed.
- Secondary hole only necessary in a dual powerfeed fitting.

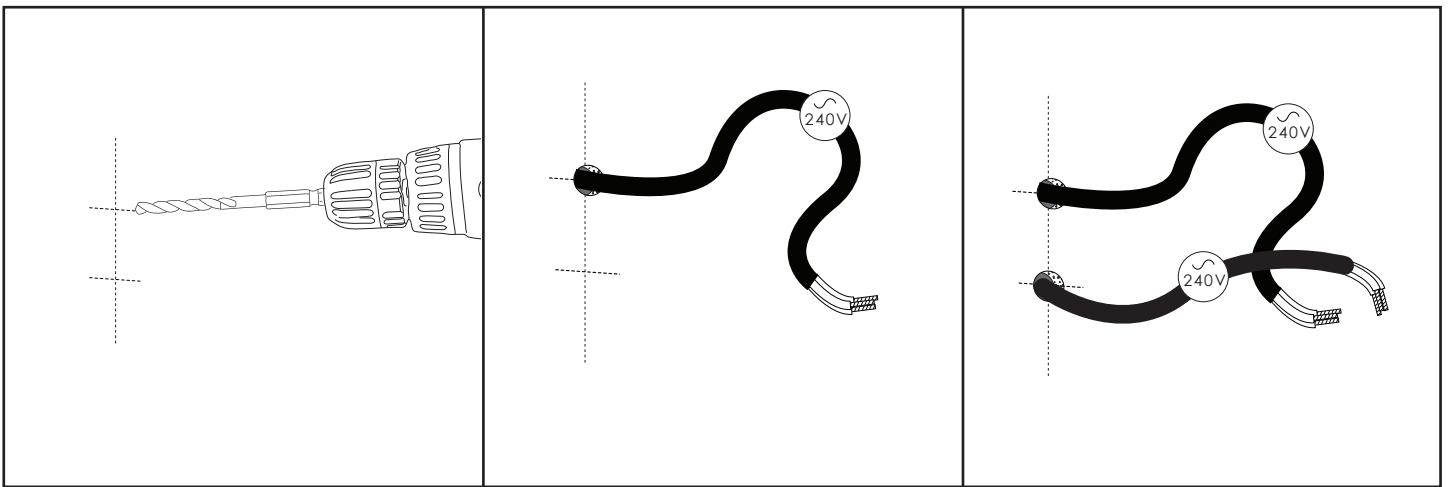




1.
-Unassemble luminaire by removing lens and light tray.

2.
-Diagram of the key hole & powerfeed locations. *Note: secondary powerfeed is only in the instance of dual circuit.*

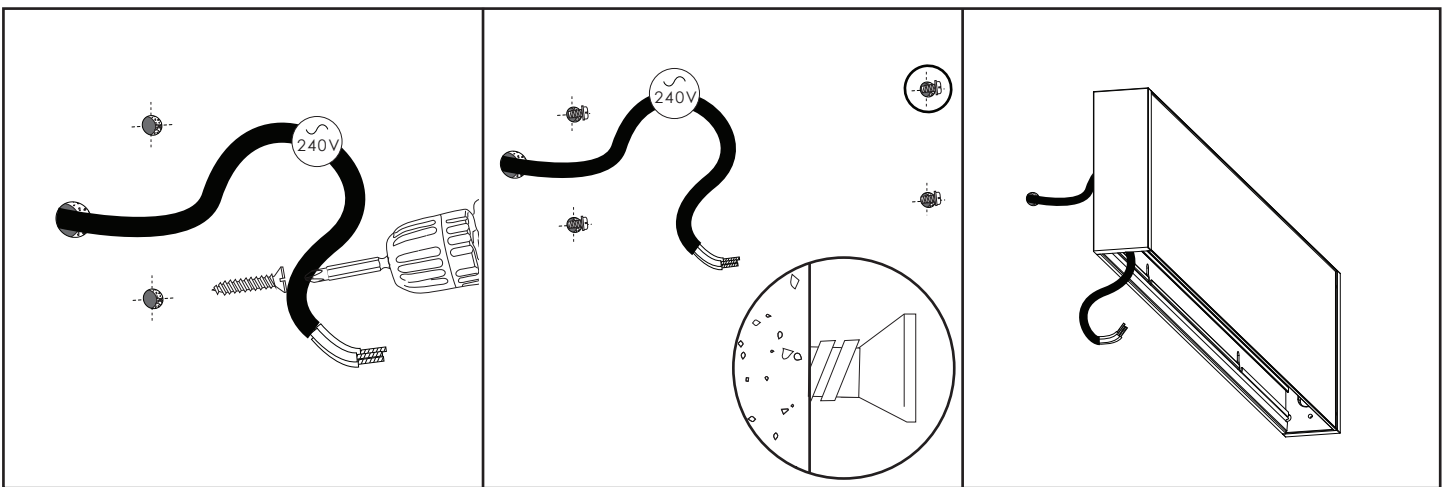
3.
-Mark out necessary locations for fasteners and powerfeed cut out on the wall.



4.
-Drill necessary sized pilot hole for appropriate fasteners(*not supplied*).

5A. IF SINGLE CIRCUIT
-Pull mains power cable (240V) out of wall.

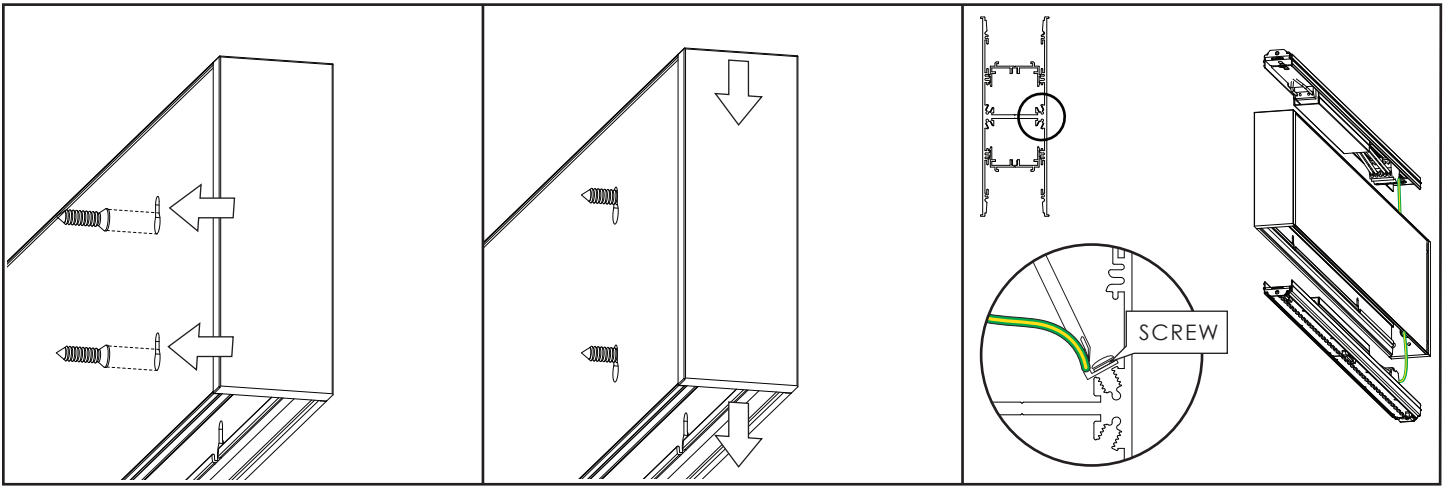
5B. IF DUAL CIRCUIT
-Pull 2x mains power cable (240V) out of wall.



7.
-Fix appropriate fastners onto wall(*not supplied*).

8.
-Ensure fixing sits proud of the wall.

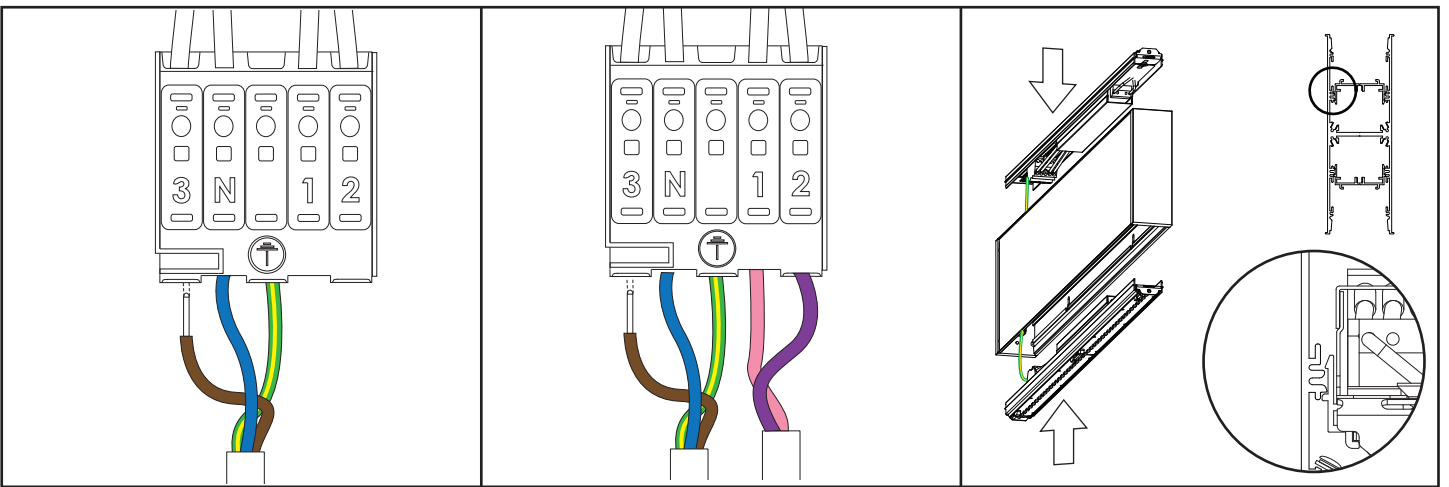
9.
-Thread mains (240v) through the washer and into the mainbody.



10.
-Insert mainbody keyholes onto the screw head.

11.
-Slightly pull fitting down so that all screw heads are retained by the narrower portion of the keyhole.

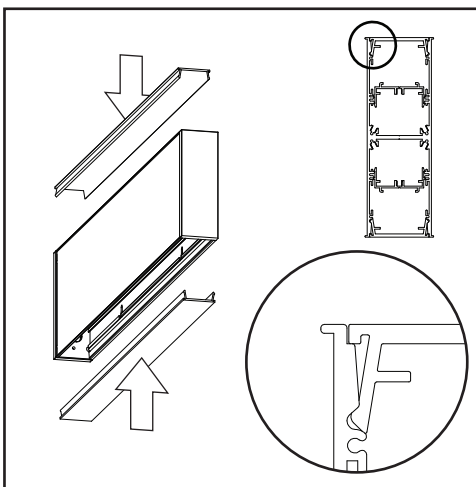
12.
-Fasten earth lug to mainbody(A) threaded detail.



13A. IF NON DIM
-Wire primary wires into terminal.

13B. IF DIM
-Wire primary wires into terminal.
-Wires dimming wires into terminal.

14.
-Attach 2x Light tray back onto fitting.
-Ensure proper installation by clicking into place & Light tray is central to profile.



15.
-Install 2x lens into fitting.
-Ensure proper installation with snap detail & lens is central to profile.