

SLIM H SUS

SUSPENDED PROFILE

DARKON™

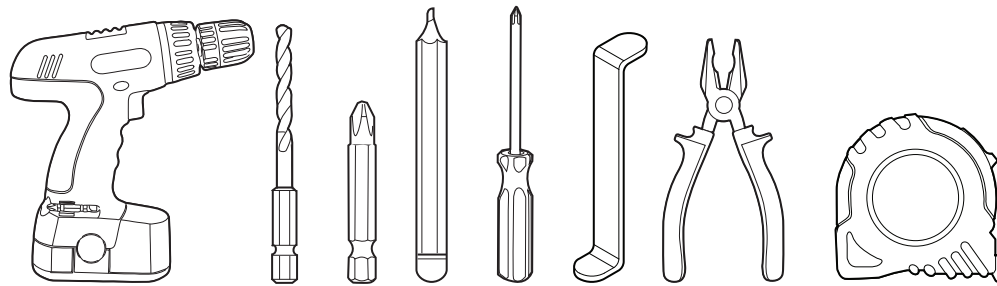
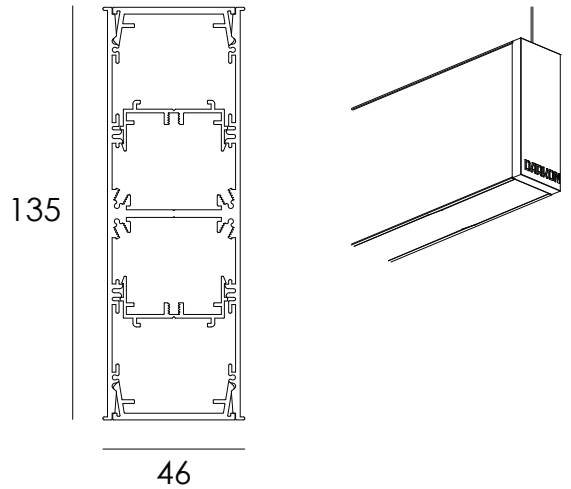
THE EDGE OF LIGHT

INSTALLATION: Ensure that products are mounted with supplied, recommended or appropriate screws and fixings to suit the mounting surface.

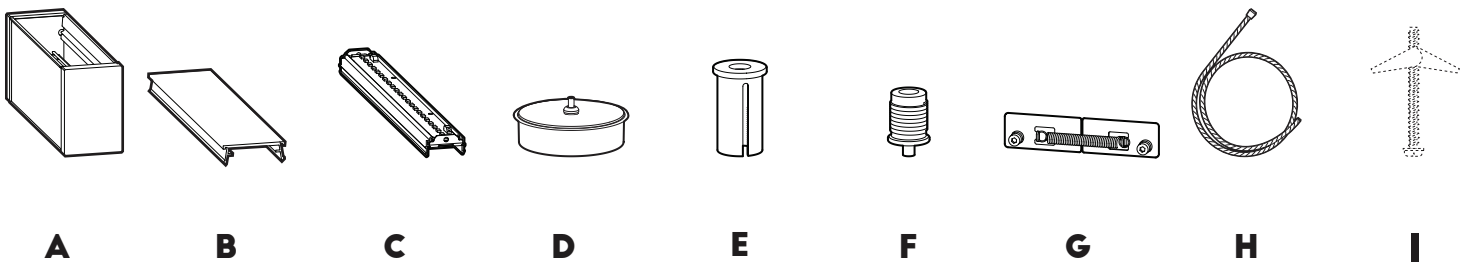
WARNING: Installation is only to be carried out by suitably qualified persons in accordance with installation instructions and all applicable regulations or standards. *(Improper installation can create an electrical hazard with risk of electric shock, fire or injury).* Darkon will not be held responsible for any consequences arising from improper product handling, storage or installation.

TOOLS REQUIRED:

Power drill / Drill bit / Phillips Driver / Pencil / Screwdriver
 Lens Removal Tool / Pliers / Tape measure.



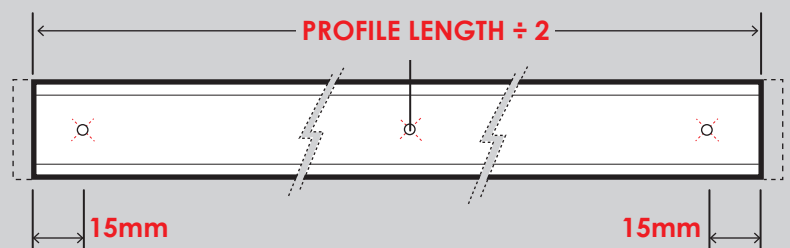
COMPONENTS:

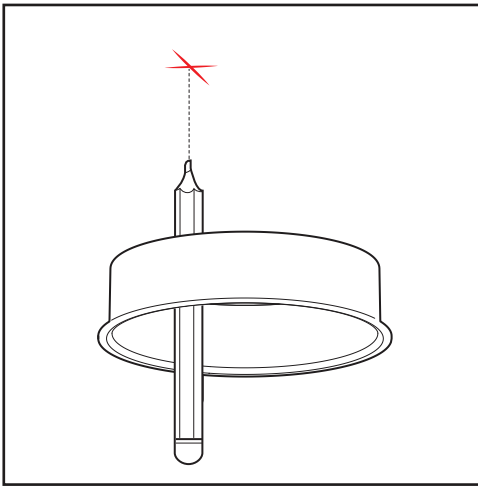


! LENGTHS GREATER THAN 2200MM REQUIRE THREE MOUNTING POINTS !

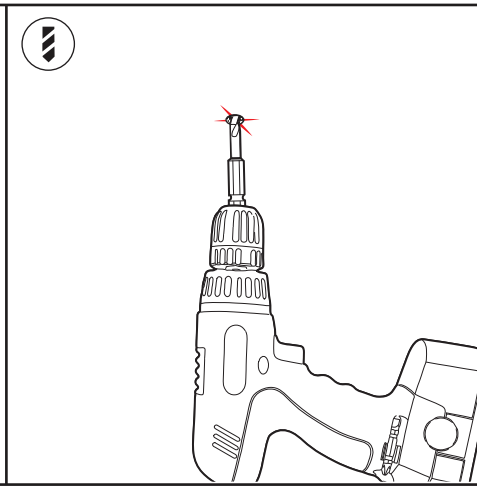
NOTE:

- Lengths that exceed 2200mm are fitted with 3 suspensions adding to components E, F, G & H.
- Living Linear Connectors are needed only with multiple body light fittings(see stage 17)*.

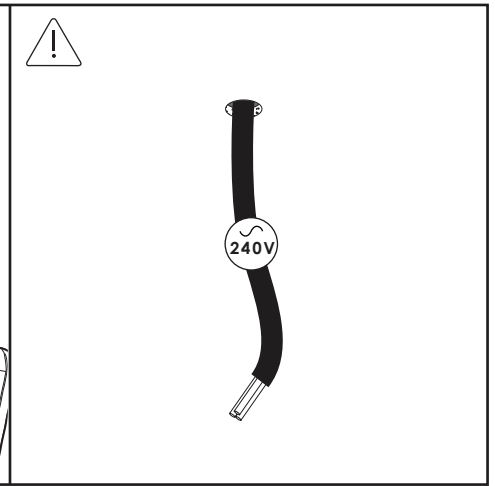




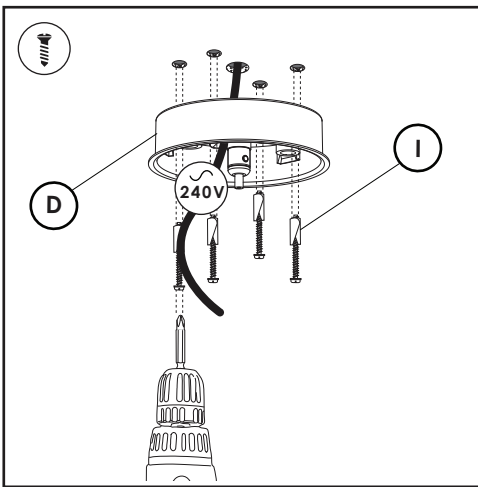
1.
-With a pencil, mark out the projected hole positions for the Ceiling rose.



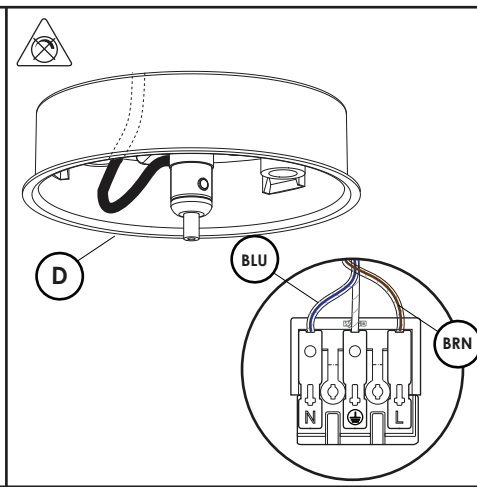
2.
-Drill hole for powerfeed.
-Drill pilot holes if necessary.



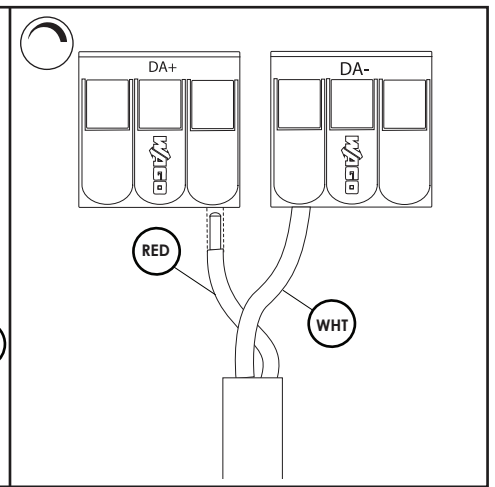
3.
-Pull mains (240V) through ceiling.



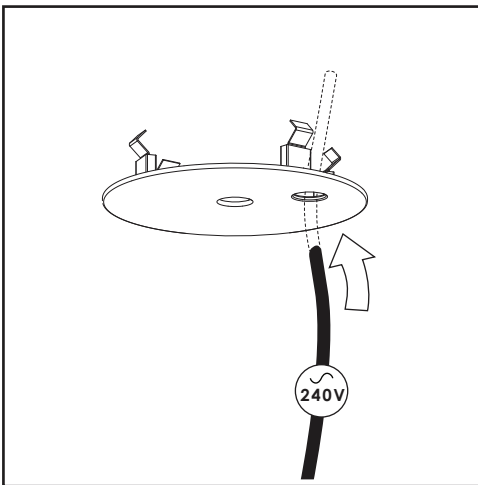
4.
-Thread mains (240V) through the ceiling plate.
-Fix ceiling plate(D) onto ceiling with 4x appropriate fasteners(not supplied).



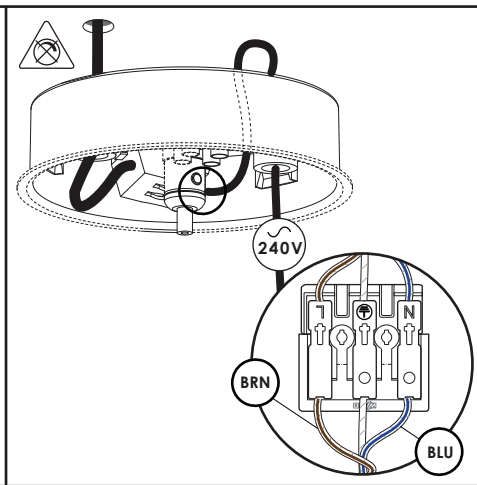
5A. IF NON DIM
-Feed the mains through the ceiling plate and curl back in order to connect to terminal block.



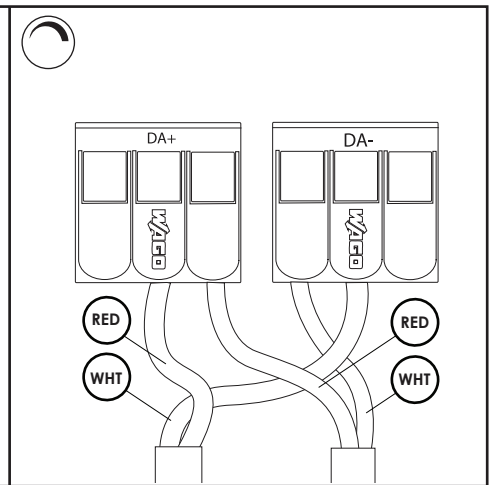
5B. IF DIM.
-Repeat 5A in connecting primary wires into the terminal.
-Connect Dimming wires into Wago plugs.



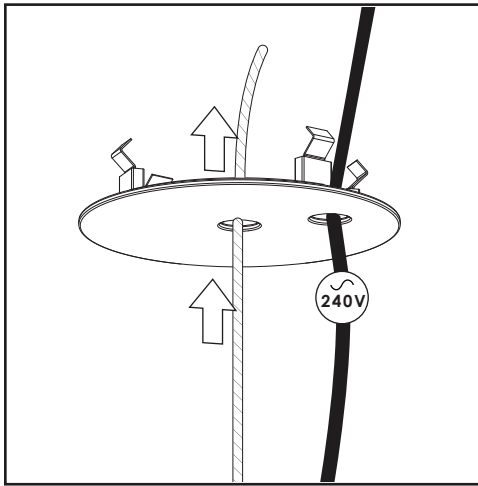
6.
-Thread powercable and suspension wire through the ceiling rose cover.



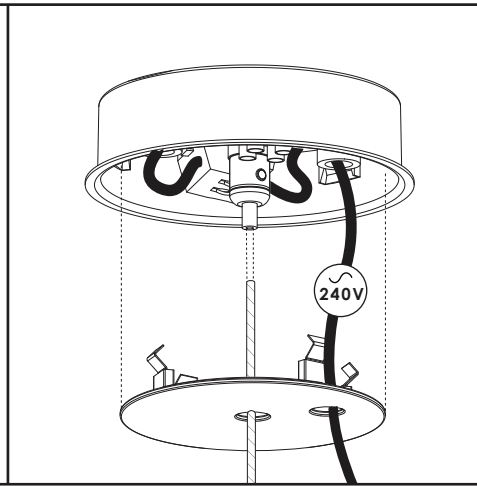
7A. IF NON DIM
-Feed the power cable through the ceiling rose and curl back in order to connect to the terminal block.



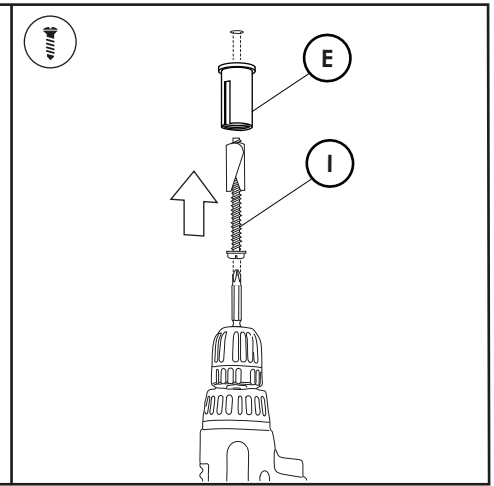
7A. IF DIM
-Repeat 7A in connecting primary wires into the terminal.
-Connect Dimming wires into Wago plugs.



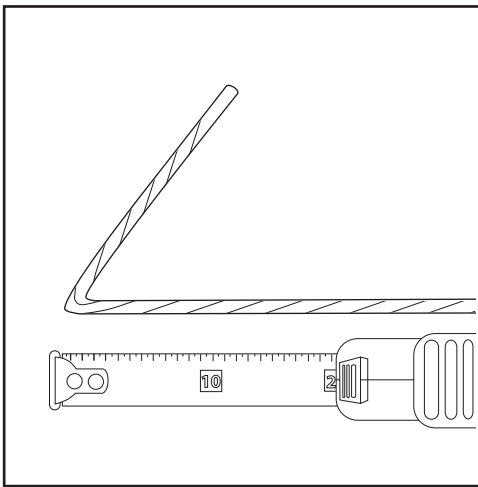
8.
-Thread the suspension wire through the centre of the cover plate.



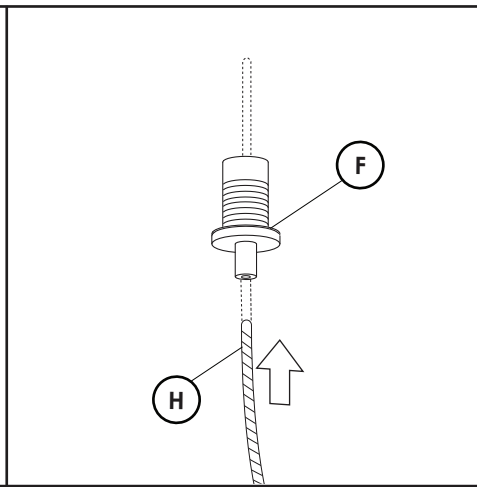
9.
-Attach cover onto the ceiling plate.



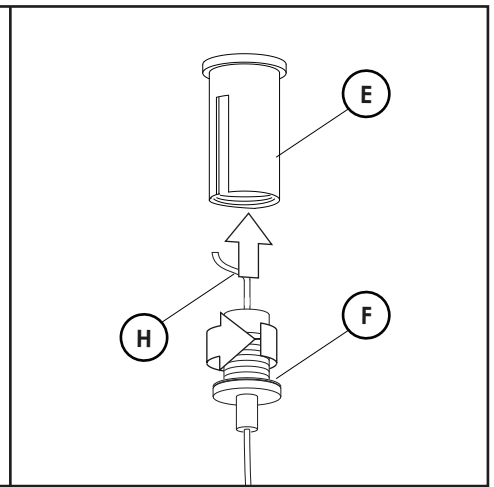
10.
-Fix the secondary anchor point (E) onto the ceiling with appropriate fasteners (not supplied).



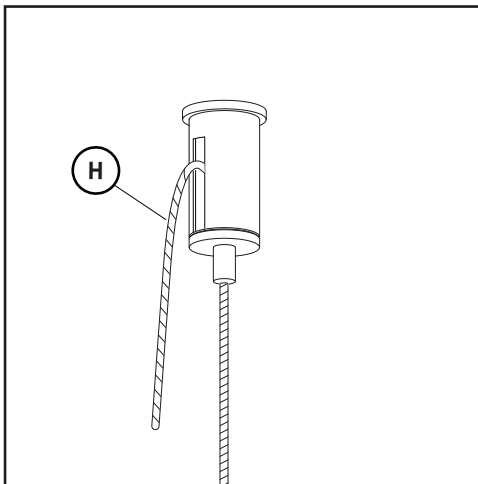
11.
-Measure desired length of the Suspension wire (H).
-Lightly bend and crimp to mark desired length.



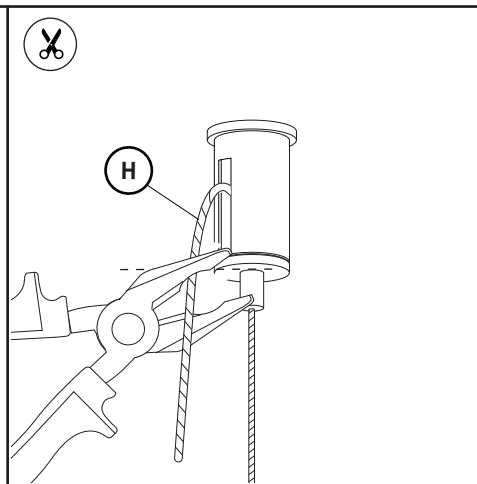
12.
-Thread the Suspension wire (H) through the Male Posilock ceiling anchor (F).



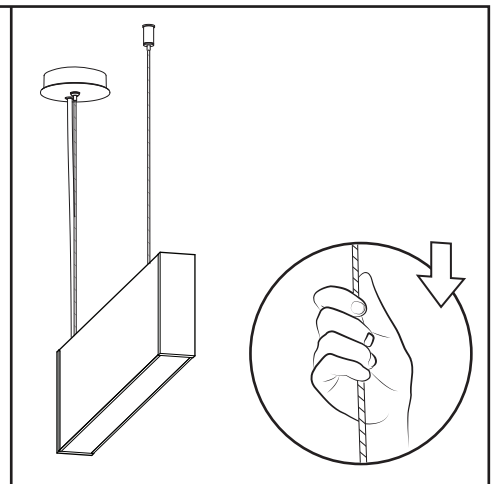
13.
-Connect the Male & Female Posilocks, ensuring the added lengths of wire be placed through the Slot.



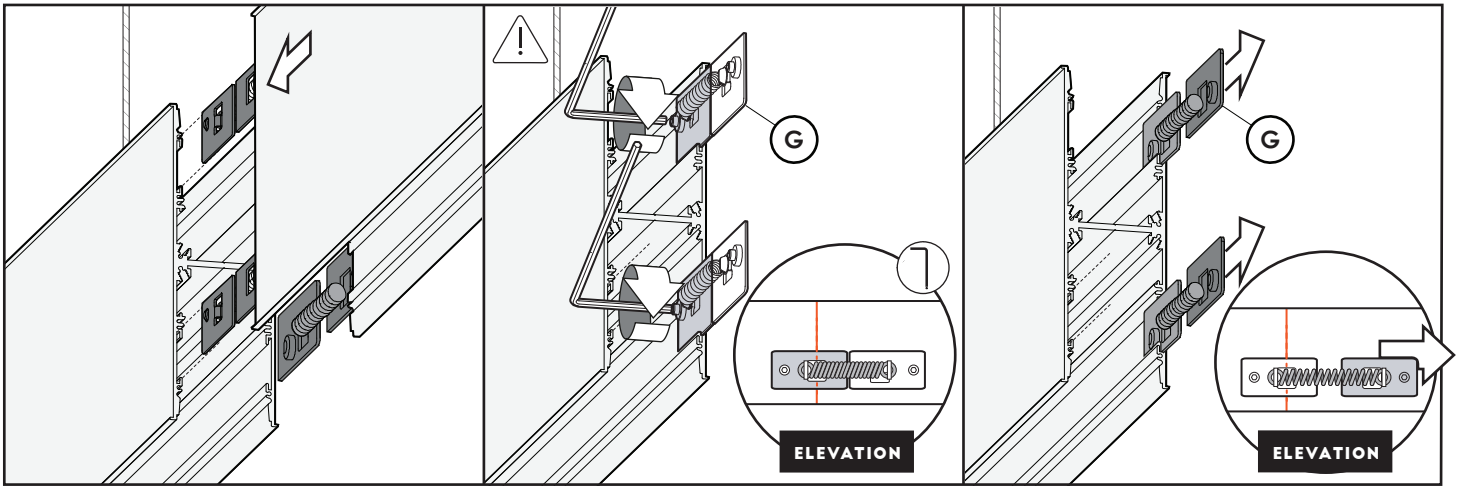
14.
-Posilock Ceiling anchor properly fastened with excess wire placed in the slot.



15.
-Using pliers, trim off excess suspension wire (H).



16.
-Posilock Correctly installed and suspending the light fitting.
-Ensure proper installation by slightly tugging suspension wire.



17. IF MULTIPLE BODIES

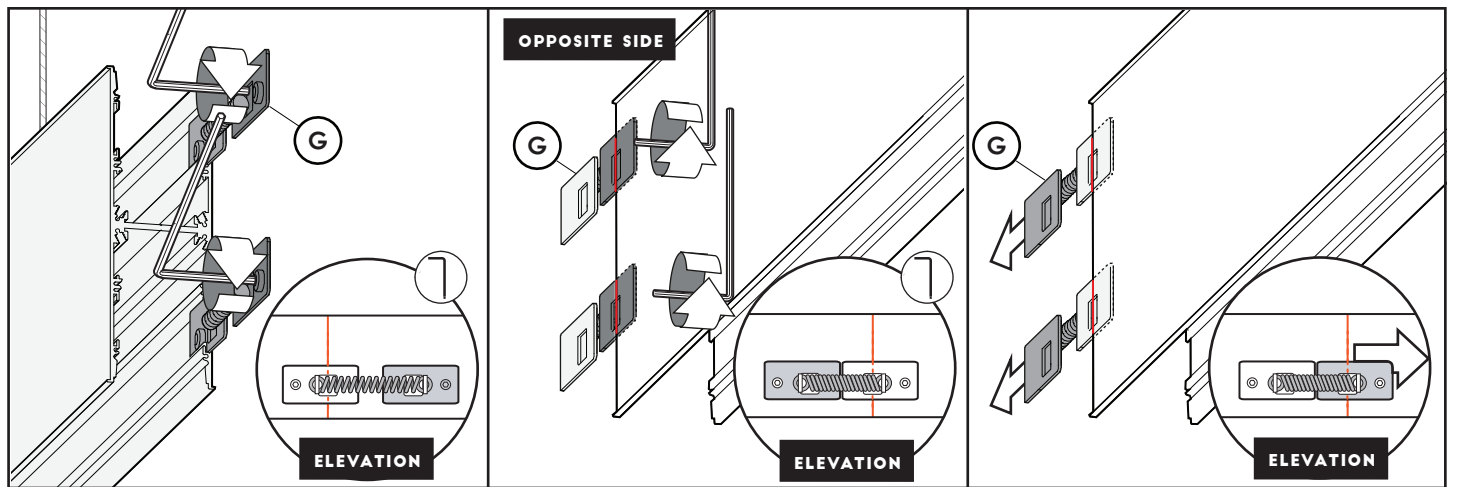
-Repeat stages 10-15 to install secondary fitting. Remove lens & slide living linear connectors at opposite sides of each mainbody.

18.

-Slide 'Living linear connector' (G). Ensure left plate covers join. Tighten left grub screw with a 2mm Allen key.

19.

-Slide right plate into secondary body.



20.

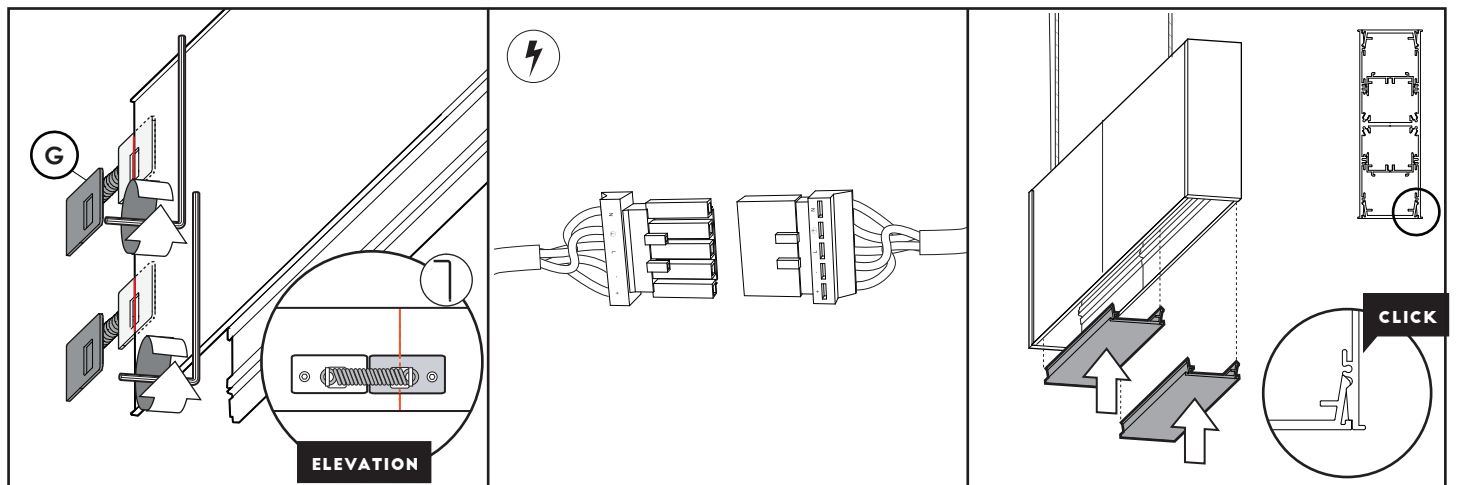
-Ensure spring is tensioned. Tighten grub screw on the right plate with a 2mm Allen key.

21.

-Slide 'Living linear connector' (G). Ensure left plate covers join. Tighten left grub screw with a 2mm Allen key.

22.

-Slide right plate into first body.



23.

-Ensure spring is tensioned. Tighten grub screw on right plate with a 2mm Allen key.

24.

-Connect the appropriate plugs.

25.

-Attach Lens back into the mainbody. -Ensure lens is flush with end caps.