

# SLIM C TRIMLESS

## RECESSED PROFILE

**DARKON™**  
THE EDGE OF LIGHT

Ensure that products are mounted with supplied, recommended or appropriate screws and fixings to suit the mounting surface.

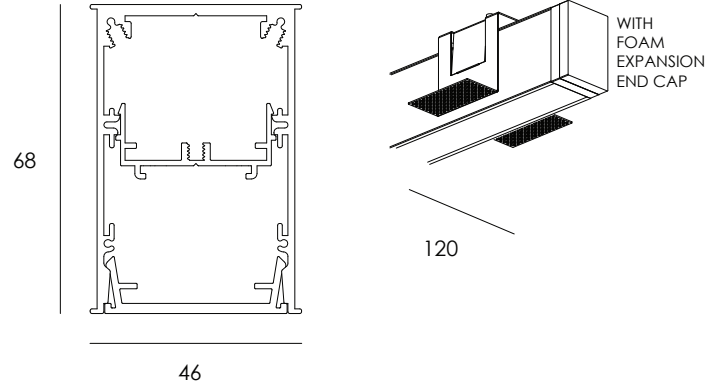
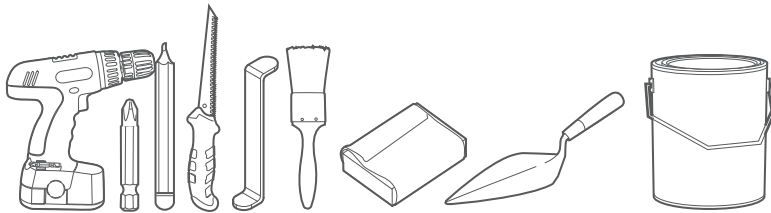
### WARNING

INSTALLATION IS ONLY TO BE CARRIED OUT BY SUITABLY QUALIFIED PERSONS IN ACCORDANCE WITH INSTALLATION INSTRUCTIONS AND ALL APPLICABLE REGULATIONS OR STANDARDS. (IMPROPER INSTALLATION CAN CREATE AN ELECTRICAL HAZARD WITH RISK OF ELECTRIC SHOCK, FIRE OR INJURY). DARKON WILL NOT BE HELD RESPONSIBLE FOR ANY CONSEQUENCES ARISING FROM IMPROPER PRODUCT HANDLING, STORAGE OR INSTALLATION.

### TOOLS REQUIRED

**FOR INSTALL:** POWER DRILL / PHILLIPS DRIVER / PENCIL / WALLBOARD SAW

**FOR FINISH:** PAINT BRUSH / SANDING BLOCK + APPROPRIATE SAND PAPER / TROWEL / PAINT.



### MAINTENANCE

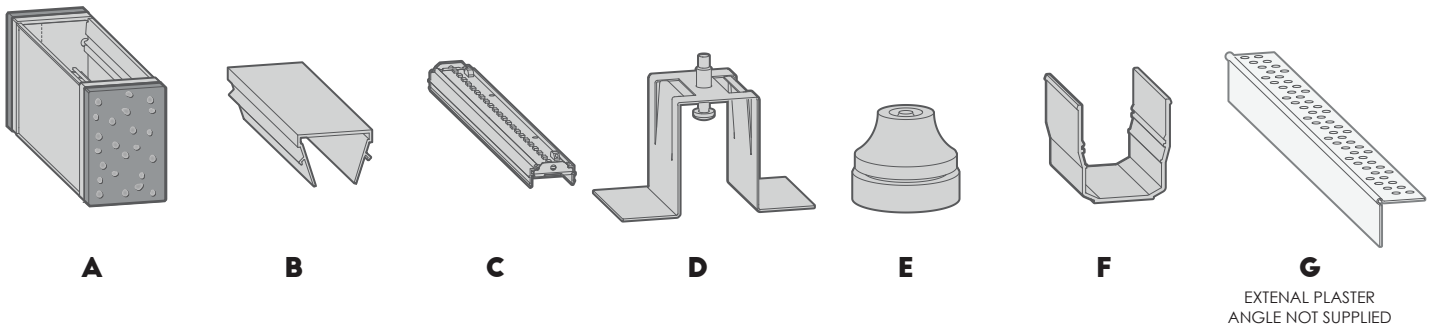


Wipe product with a clean dry microfiber cloth.  
Do not use any cleaning products/ chemicals to clean product.

### SERVICING

- Lens can be removed w/ lens removal tool.
- 'Light Tray 40' can be replaced if deemed faulty

### COMPONENTS

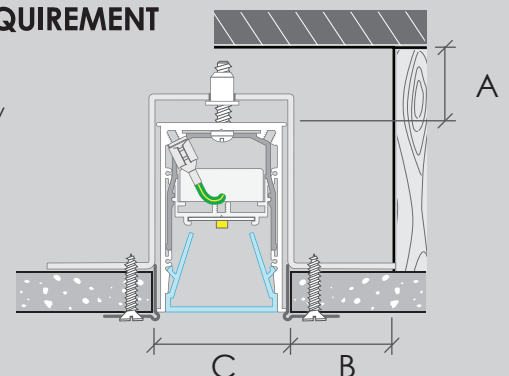


EXTERNAL PLASTER ANGLE NOT SUPPLIED

DISTANCE	DESCRIPTION
A) 35MM (MINIMUM)	CLEARANCE FOR TOP OF LUMINIARE
B) 40mm (MINIMUM)	CLEARANCE FOR RECESS. BRKT
C) 50mm W (REFER TO SHOP DRAWING FOR L)	SLIM C CUTOUT 

### MINIMUM AREA REQUIREMENT

FIGURE 1.  
FOR OPTIMAL LONGEVITY,  
ENSURE UNRESTRICTED AIRFLOW  
OVER LUMINAIRE HEATSINK  
**DO NOT COVER W/ INSULATION**

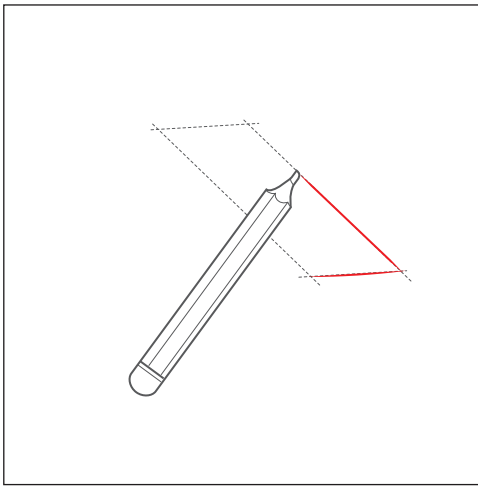


27.07.2020

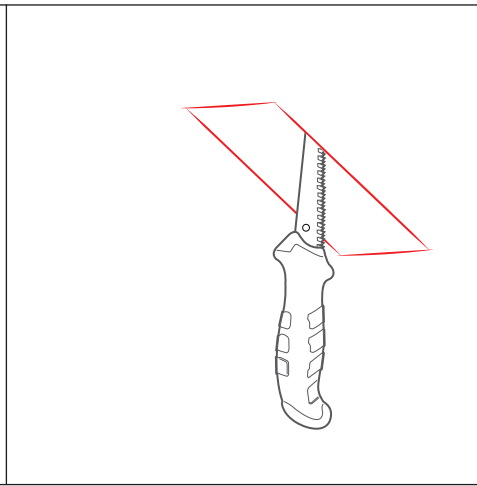
www.darkon.com.au

1/3

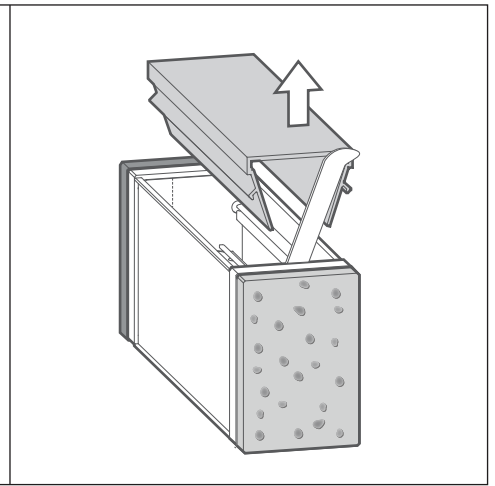
REVISION 03



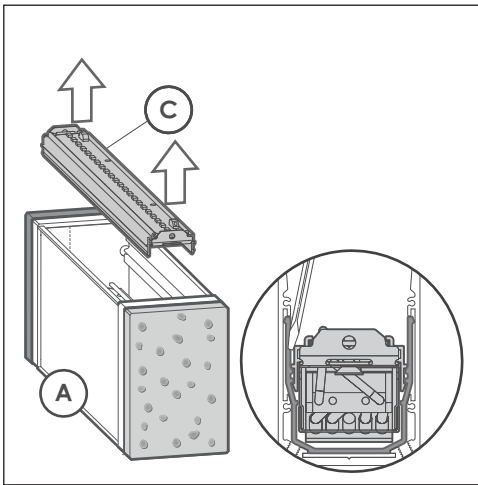
**1.** Measure and mark the appropriate placement of luminaires, use supplied Darkon shop drawing for reference. Refer to **FIGURE A** for critical dimensions.



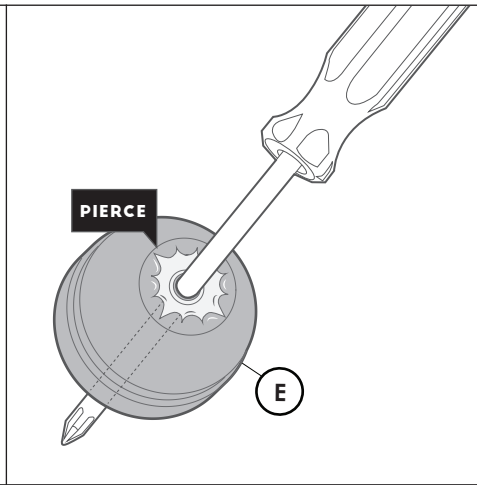
**2.** Make the cut-out using a Wallboard Saw.



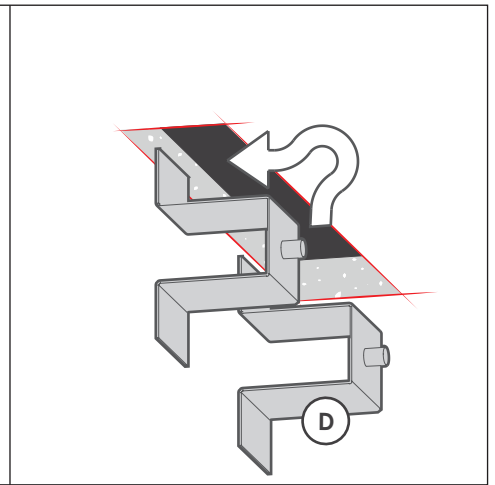
**3.** Remove the Lens(B) by using the Lens removal tool to lever the lens off.



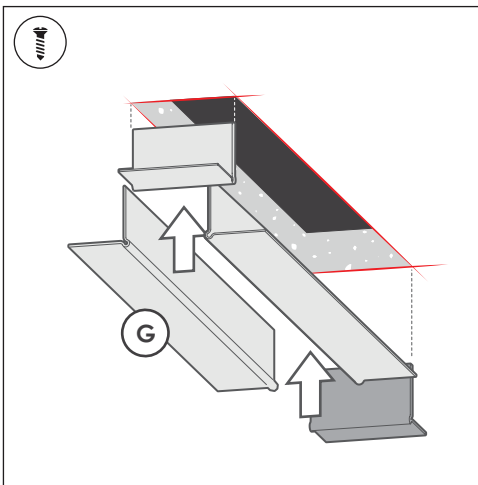
**4.** Remove the Light Tray(C) using a Flat head screw driver to lever the tray out from Clips(F).



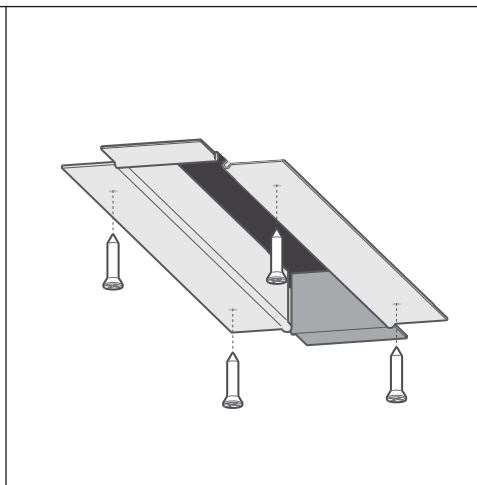
**5.** Pierce the IP Grommet(E) with the tip of a screw driver.



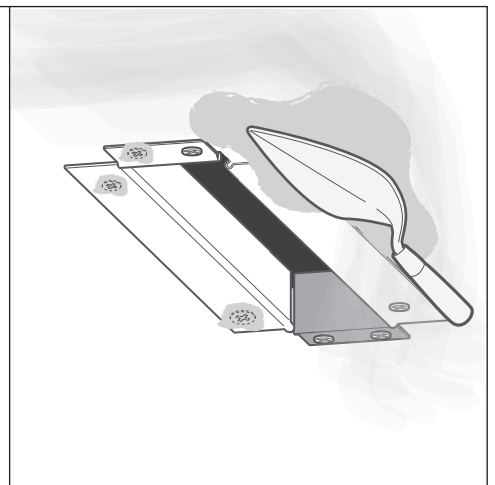
**6.** Insert the Trimless mounting bracket(D) by snaking it through the cutout.



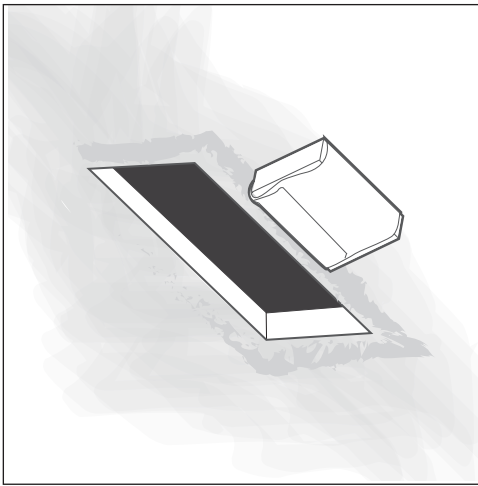
**7.** Position and insert trim(G) around the cutout.



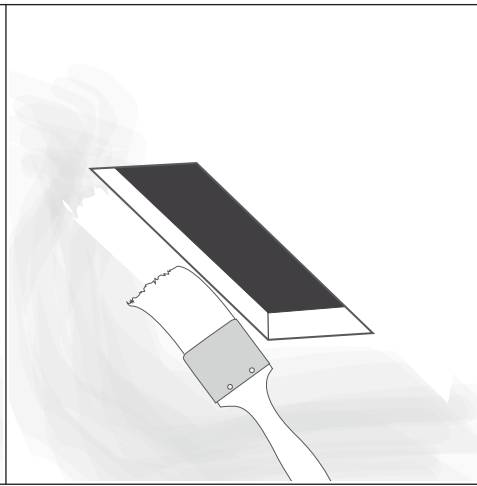
**8.** Secure and fasten the trim to the recessed brackets(D) with appropriate fixings(not supplied).



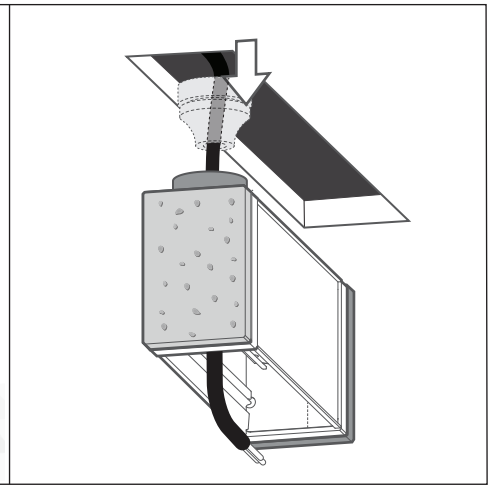
**9.** Apply cornice cement along the edge of the fitting. Ensure screw heads are covered and concealed.



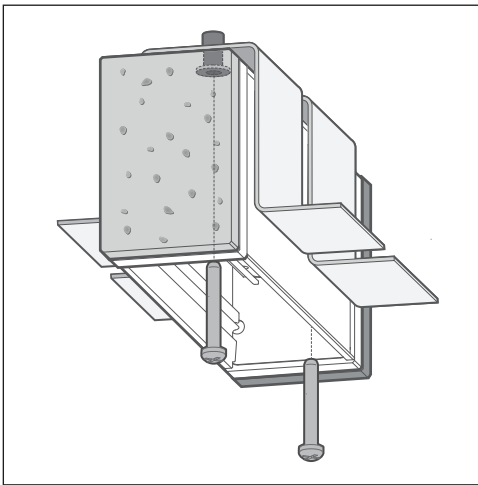
**10.** With the appropriate grit sand paper; sand back the dried cornice to a smooth finish.



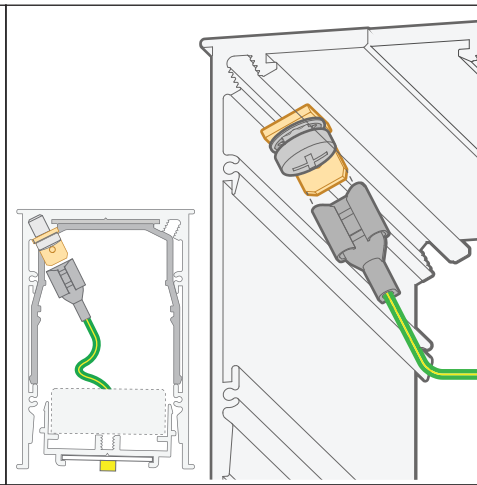
**11.** Paint surface around fixture with appropriate paint.



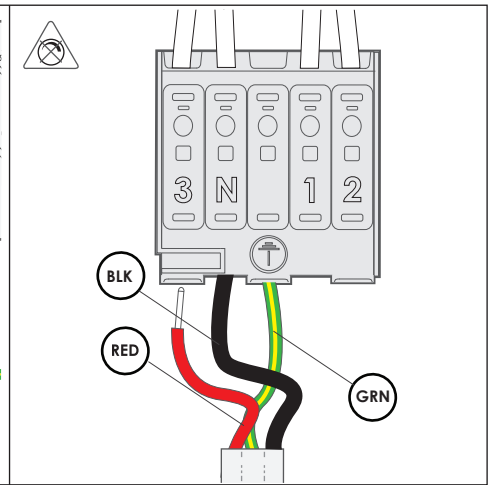
**12.** Feed power cable through IP Grommet(E) & insert into Slim C Body(A).



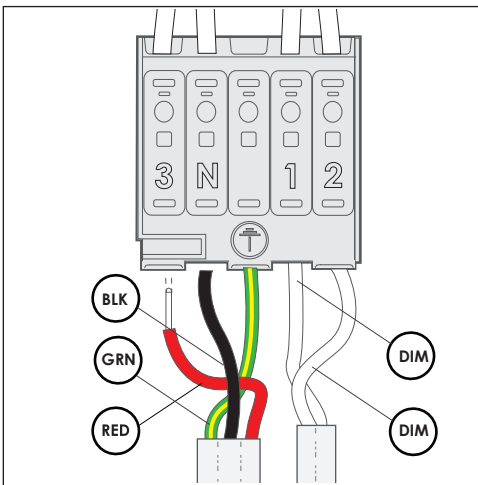
**13.** With supplied bolt; secure and fix body(A) onto the installed brackets(D).



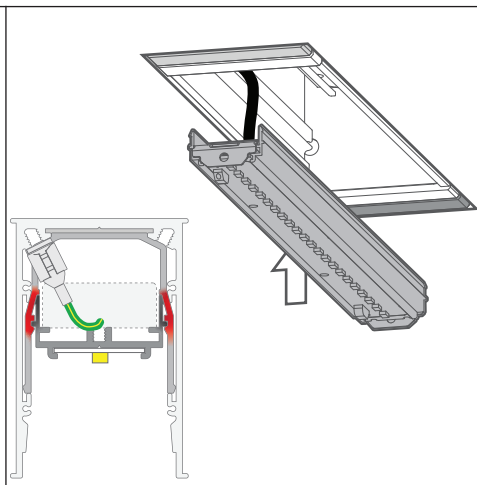
**14.** Insert Earth spade into Terminal on all bodies.



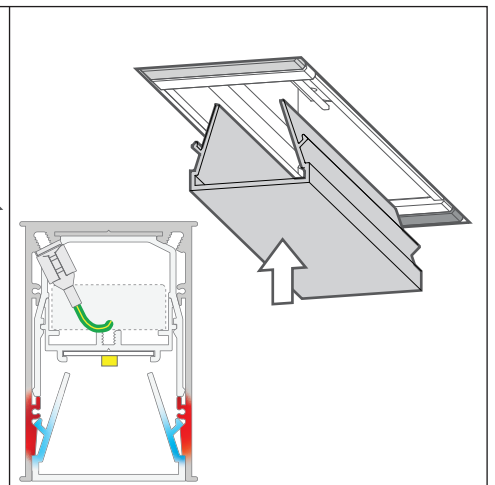
**15A. IF NON DIM**  
Wire primary wires into terminal.



**15B. IF DIM**  
Wire primary wires into terminal.  
Wire Dimming wires into terminal.



**16.** Install Light Tray(C) by inserting into light tray clips(E).



**17.** Install Lens (B) by inserting into Slim C Body(A) clipping detail.