

SLIMC CUBED SM

SURFACE MOUNTED PROFILE

DARKON™
THE EDGE OF LIGHT

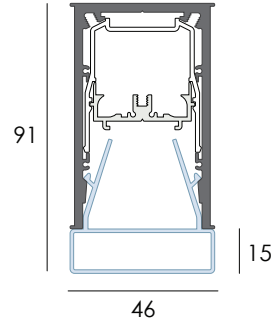
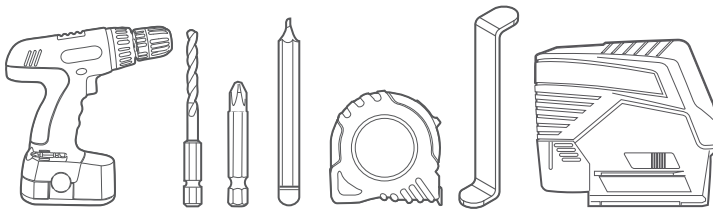
Ensure that products are mounted with supplied, recommended or appropriate screws and fixings to suit the mounting surface.

WARNING

INSTALLATION IS ONLY TO BE CARRIED OUT BY SUITABLY QUALIFIED PERSONS IN ACCORDANCE WITH INSTALLATION INSTRUCTIONS AND ALL APPLICABLE REGULATIONS OR STANDARDS. (IMPROPER INSTALLATION CAN CREATE AN ELECTRICAL HAZARD WITH RISK OF ELECTRIC SHOCK, FIRE OR INJURY). DARKON WILL NOT BE HELD RESPONSIBLE FOR ANY CONSEQUENCES ARISING FROM IMPROPER PRODUCT HANDLING, STORAGE OR INSTALLATION.

TOOLS REQUIRED

POWER DRILL / DRILL BIT / PHILLIPS DRIVER /
PENCIL / TAPE MEASURE / LENS REMOVAL TOOL / PLUM LASER



MAINTENANCE

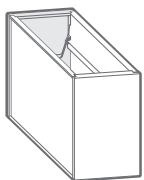
Wipe product with a clean dry microfiber cloth. Do not use any cleaning products/chemicals to clean product.



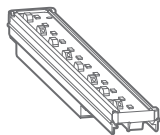
SERVICING

'Driver' can be replaced if deemed faulty.

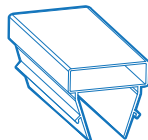
COMPONENTS



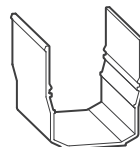
A



B



C



D



E

	DISTANCE	DESCRIPTION
A)	55MM	POWERFEED DIMENSION
B)	155MM	MOUNTING LOCATION
C)	$\text{PROFILE LENGTH} \div 2$	3RD MOUNTING LOCATION (IF LENGTH IS GREATER THAN 2.2M)

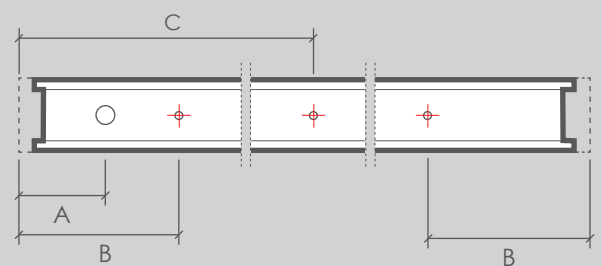
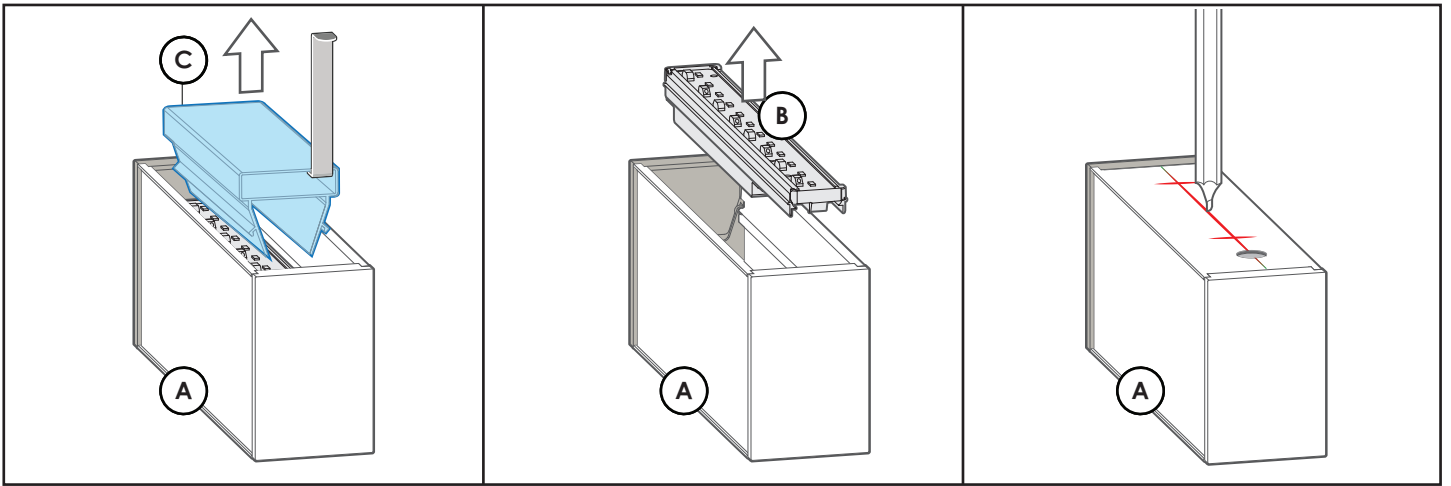


FIGURE 1. CRITICAL DIMENSIONS

IP²² 

01.12.23

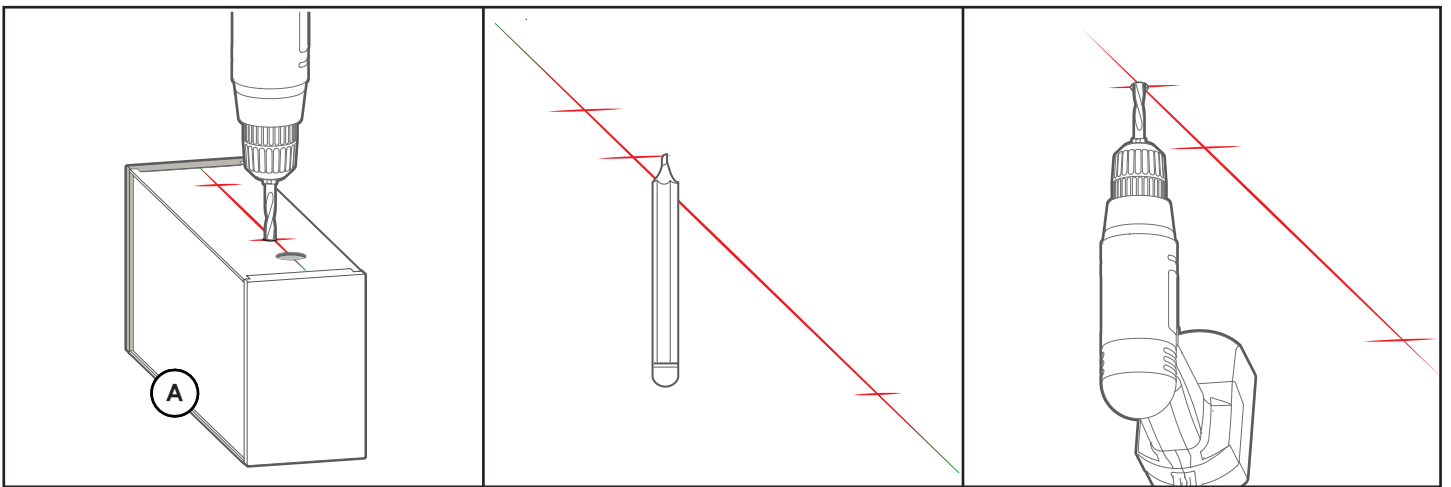
PAGE: 1/3



1. Use 'Lens tool' to lever Lens(C) out of clipping detail.

2. Remove Light Tray(B) using a flat screw driver to lever out of clips.

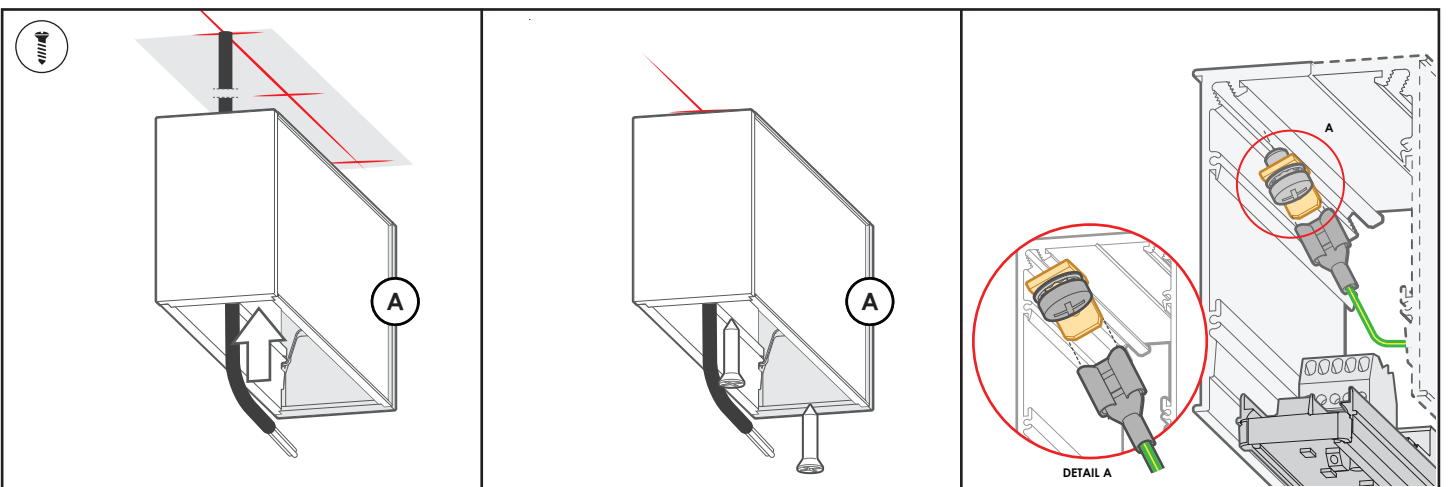
3. Mark mounting holes on Mainbody(A). Refer to figure 1 for critical dimensions.



4. Drill appropriate sized clearance holes on Mainbody(A).

5. Project line & measure and mark location of fitting along ceiling. See 'figure 1' for critical dimensions.

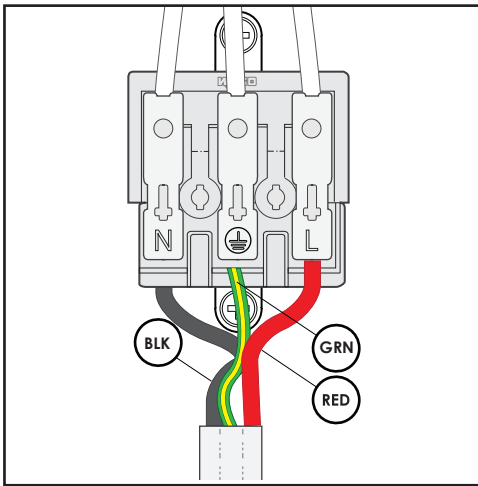
6. Drill all necessary powerfeed & pilot holes on ceiling.



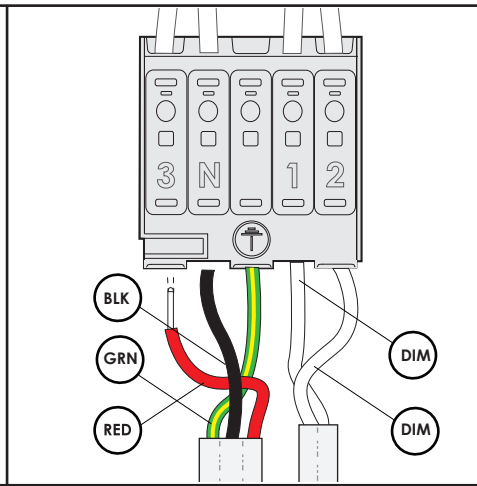
7. Feed cable through ceiling & Mainbody(A).

8. Fix Mainbody(A) with appropriate mounting screws(E) to ceiling (screws not supplied).

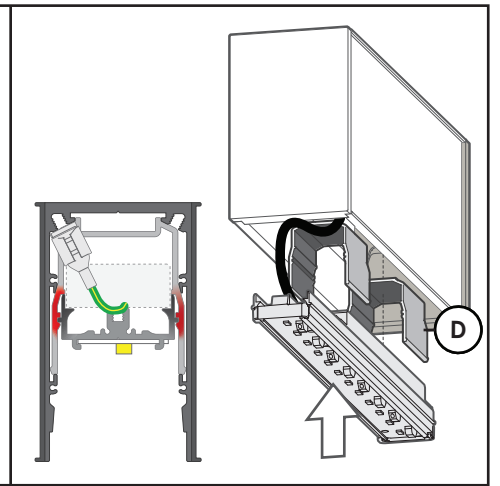
9. Insert Earth spade into Terminal located at the start of Mainbody(A).



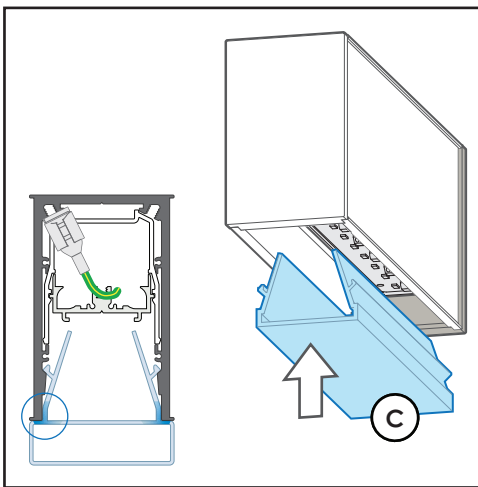
10A. IF NON DIM
Wire primary wires into terminal.



10B. IF DIM
Wire primary wires into terminal.
Wire dimming wires into terminal.



11.
Install *Light Tray(B)* by snap fitting into *Light Tray Clips(D)*. Centre light tray.



12.
Install *Lens(C)* by snap fitting into clipping detail. Centre lens.