

PORT C IP42 SM

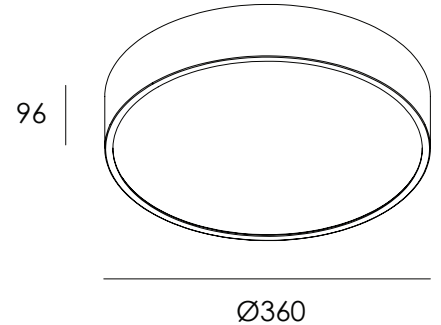
SURFACE MOUNTED LUMINAIRE

DARKON™
THE EDGE OF LIGHT

Ensure that products are mounted with supplied, recommended or appropriate screws and fixings to suit the mounting surface.

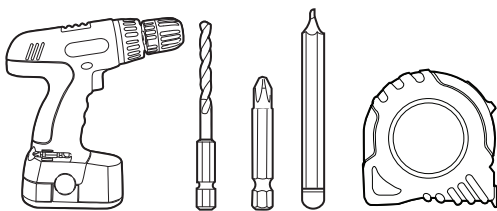
WARNING

INSTALLATION IS ONLY TO BE CARRIED OUT BY SUITABLY QUALIFIED PERSONS IN ACCORDANCE WITH INSTALLATION INSTRUCTIONS AND ALL APPLICABLE REGULATIONS OR STANDARDS. (IMPROPER INSTALLATION CAN CREATE AN ELECTRICAL HAZARD WITH RISK OF ELECTRIC SHOCK, FIRE OR INJURY). DARKON WILL NOT BE HELD RESPONSIBLE FOR ANY CONSEQUENCES ARISING FROM IMPROPER PRODUCT HANDLING, STORAGE OR INSTALLATION.



TOOLS REQUIRED

DRILL / DRILL BIT / DRIVER / PENCIL / APPROPRIATE MEASURING INSTRUMENTS



MAINTENANCE

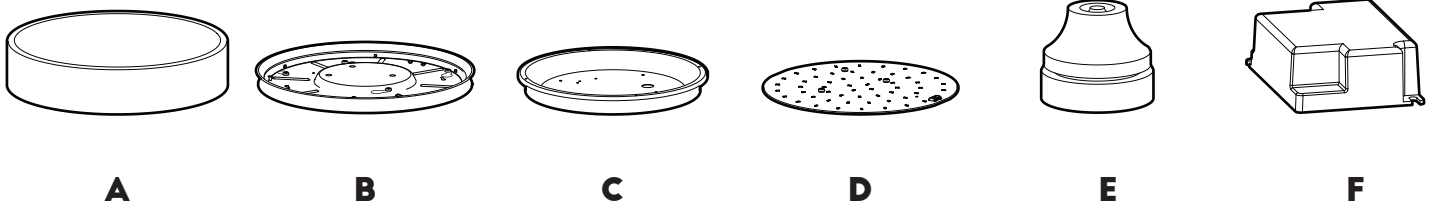


Wipe product with a clean dry microfiber cloth.
Do not use any cleaning products/ chemicals to clean product.

SERVICING

-This is a non-servicable fitting. Integral power supply can be replaced if deemed faulty.

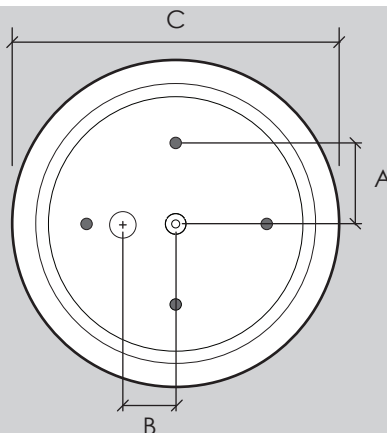
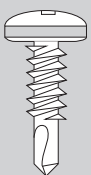
COMPONENTS



LUMINAIRE DIMENSIONS

FIGURE 1.

Ø5 MM MOUNTING HOLES PLACED EVENLY AROUND A CIRCULAR ARRAY
SPACING SIZE SPECIFIC



	DISTANCE	DESCRIPTION
A)	86MM	MOUNTING HOLE
B)	52MM	POWERFEED HOLE DATUM
C)	360MM	OVERALL

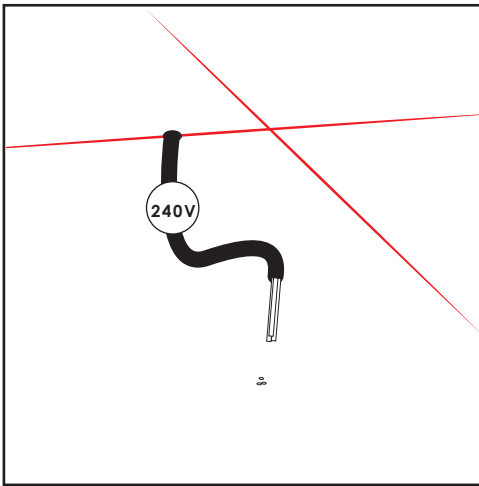
IP42   

15.07.19

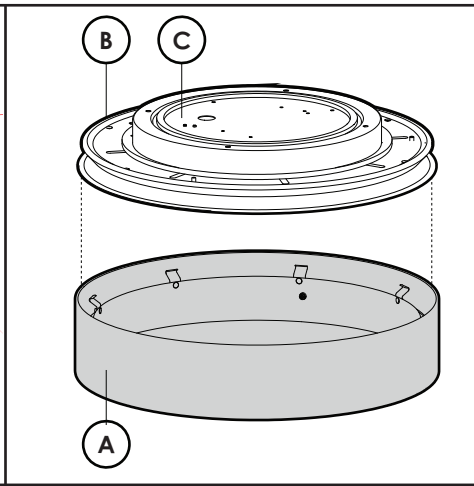
www.darkon.com.au

1/3

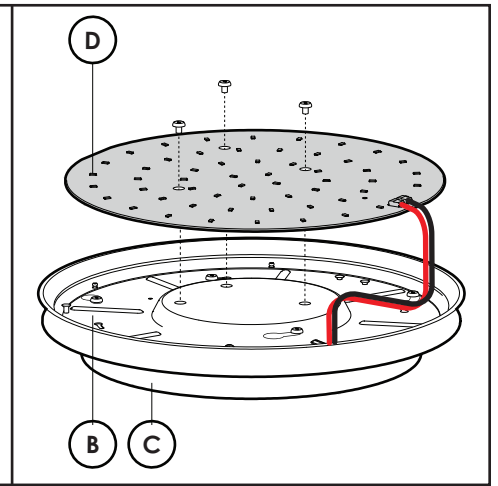
REVISION 01



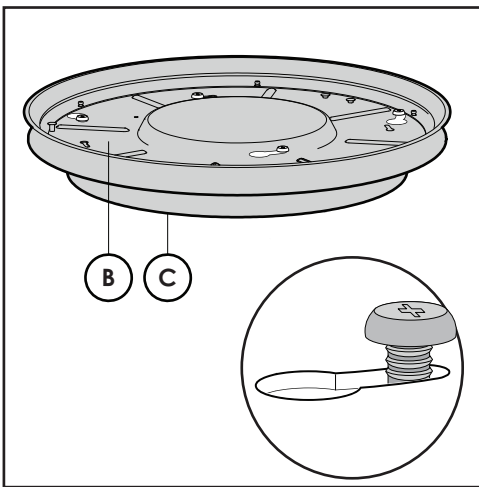
1. Pull powercable(240V) through ceiling.



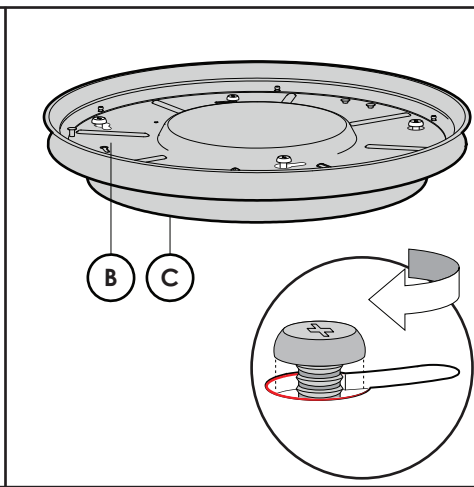
2. Remove Backplate(C) & Mid plate(B) from diffuser(A)



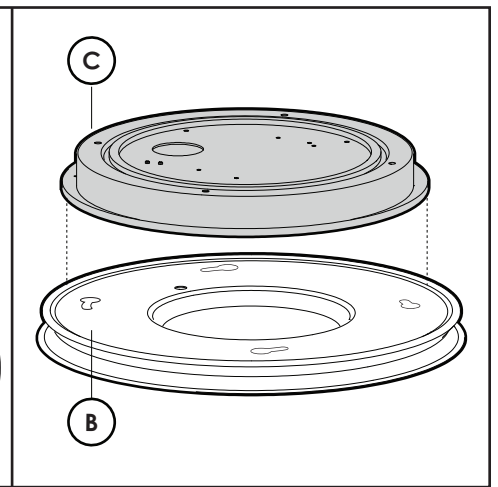
3. Remove 3 x LED screws. Retain screws



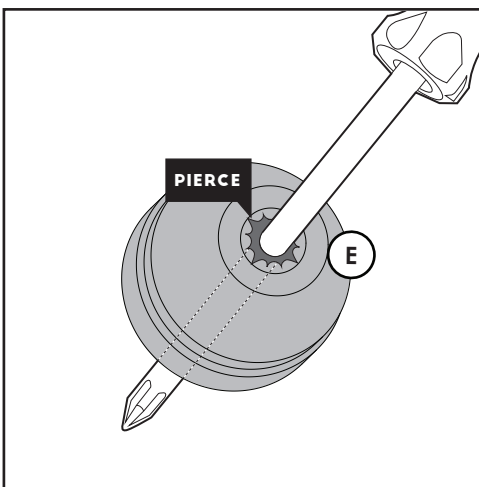
4. Back off Keyhole screws (rotate approx 2 turns)



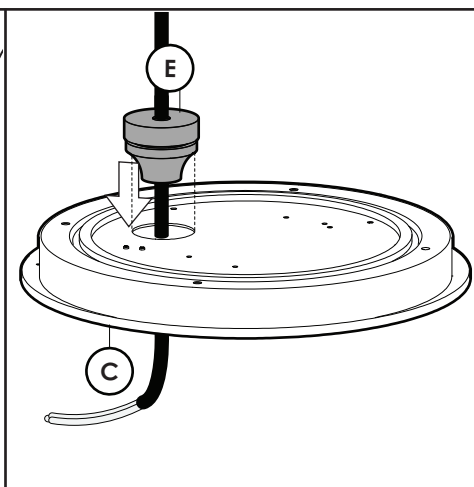
5. Rotate Mid plate(B) clockwise to align screw heads with larger portion of keyhole detail.



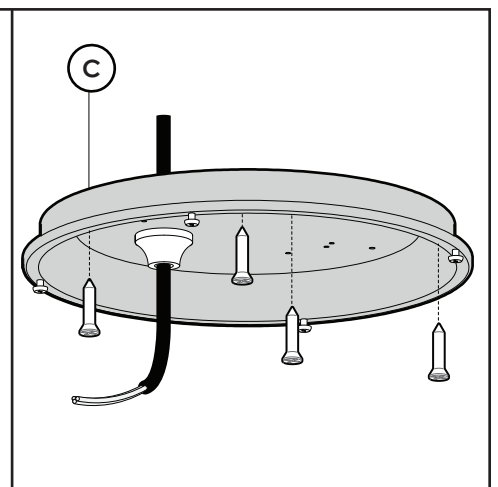
6. Remove Backplate(C) from Midplate(B)



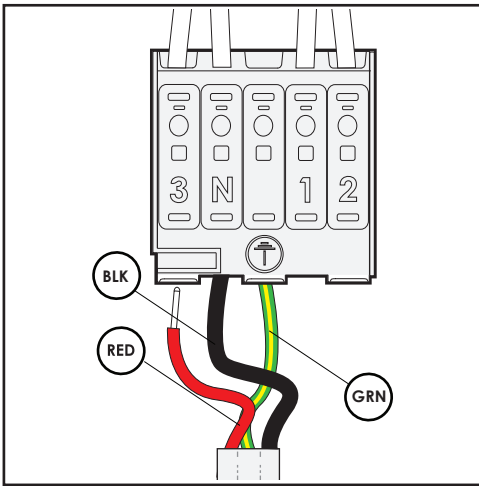
7. Pierce the IP Grommet(E) with tip of screwdriver.



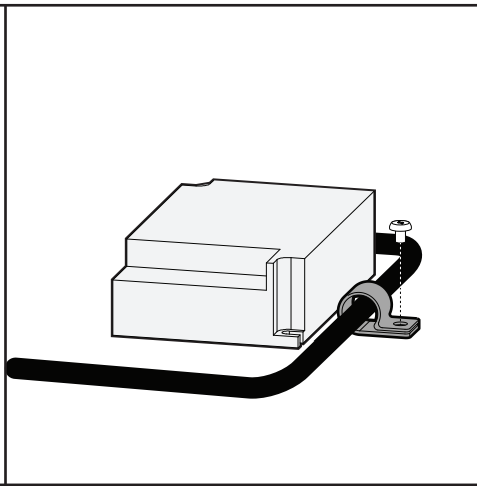
8. Feed Powerfeed(240V) through pierced IP Grommet(E) and insert back into cutout.



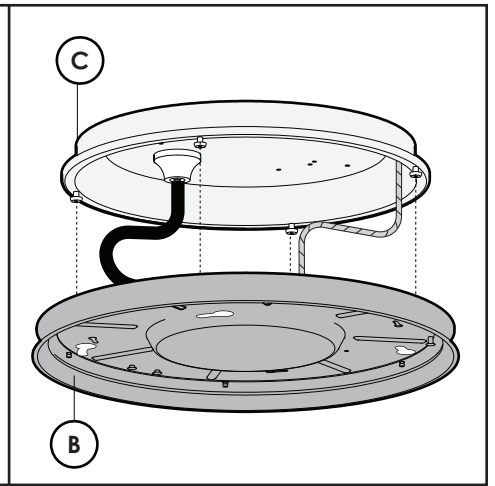
9. Fix Backplate(C) onto ceiling with appropriate fasteners(fasteners not supplied)



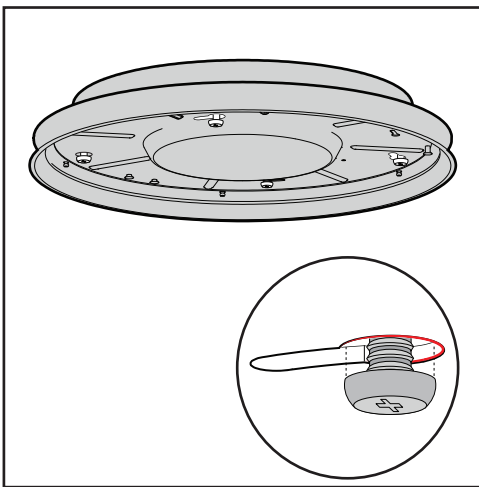
10. Connect appropriate electrical plugs.



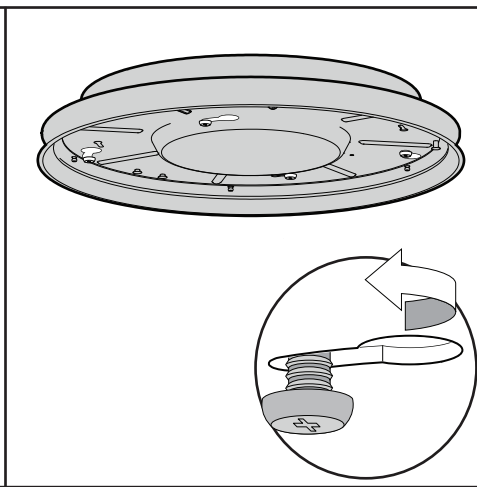
11. Ensure cable is restrained by fixing cord grip.



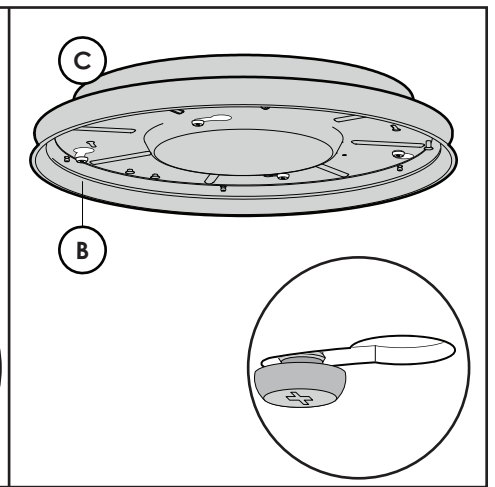
12. Attach Midplate(B) to Backplate(C)



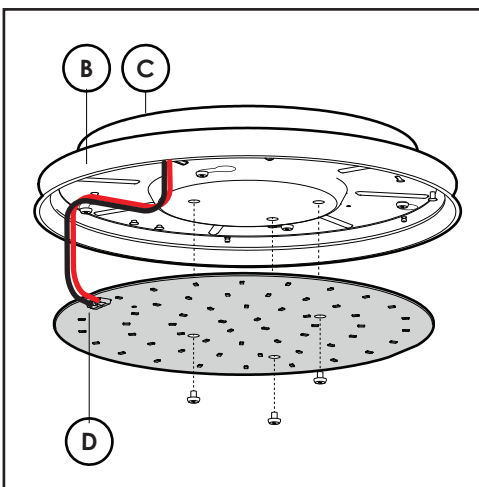
13. Ensure all bolts thread through larger portion of keyhole detail.



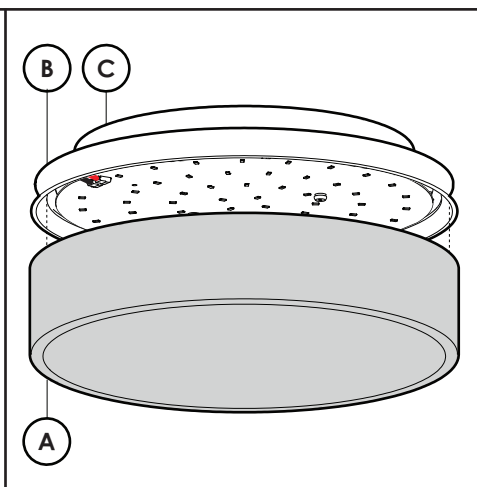
14. Rotate Midplate(B) anti-clockwise.



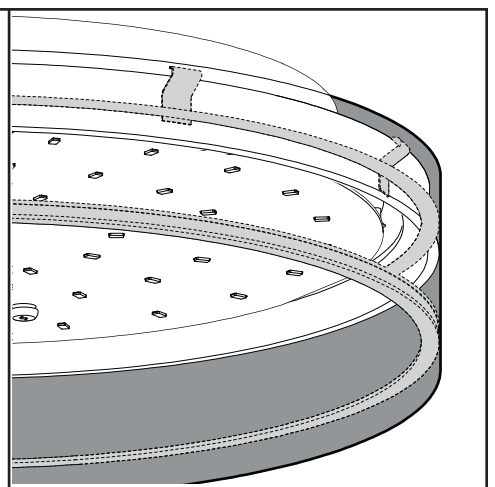
15. Tighten screws to fix Midplate(B) to Backplate(C)



16. Reinstall LED Board(D) with retained screws.



17. Attach Diffuser(A) back onto Midplate(B)



18. Ensure all clips in Diffuser(A) hook onto Midplate(B)