

MRS TG (SOFT) WM

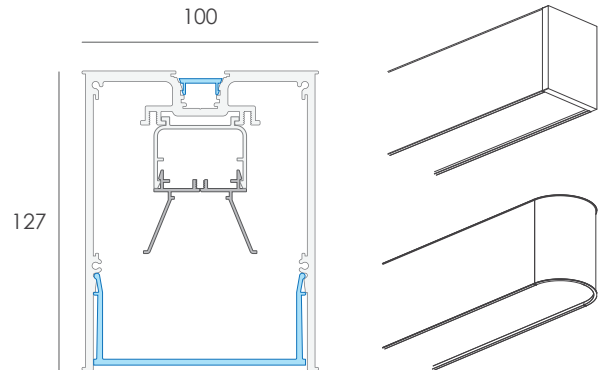
WALL MOUNTED PROFILE

DARKON™
THE EDGE OF LIGHT

Ensure that products are mounted with supplied, recommended or appropriate screws and fixings to suit the mounting surface.

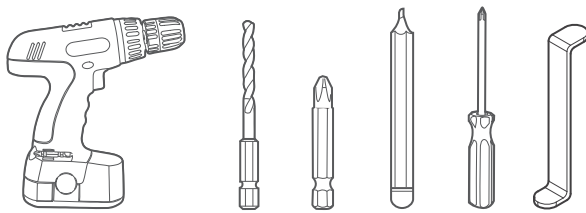
WARNING

INSTALLATION IS ONLY TO BE CARRIED OUT BY SUITABLY QUALIFIED PERSONS IN ACCORDANCE WITH INSTALLATION INSTRUCTIONS AND ALL APPLICABLE REGULATIONS OR STANDARDS. (IMPROPER INSTALLATION CAN CREATE AN ELECTRICAL HAZARD WITH RISK OF ELECTRIC SHOCK, FIRE OR INJURY). DARKON WILL NOT BE HELD RESPONSIBLE FOR ANY CONSEQUENCES ARISING FROM IMPROPER PRODUCT HANDLING, STORAGE OR INSTALLATION.



TOOLS REQUIRED

POWER DRILL / DRILL BIT / PHILLIPS DRIVER / PENCIL / SCREWDRIVER / LENS REMOVAL TOOL



MAINTENANCE

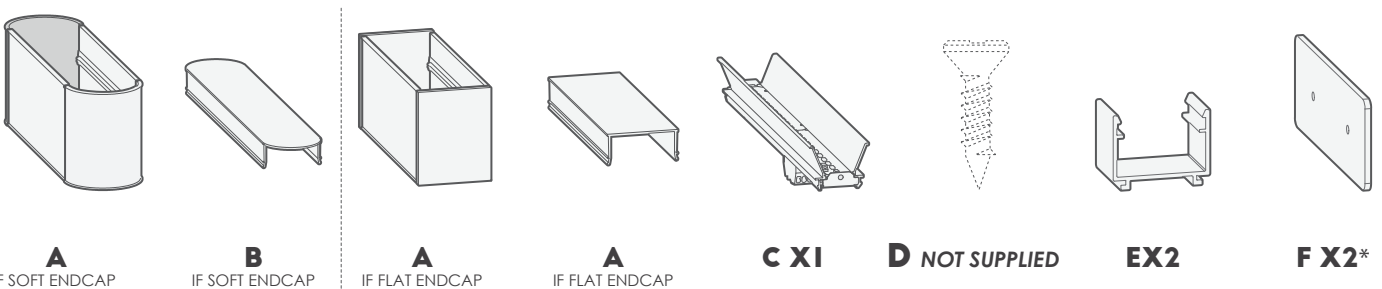


Wipe product with a clean dry microfiber cloth.
Do not use any cleaning products/ chemicals to clean product.

SERVICING

- Lens can be removed w/ lens removal tool.
- 'Light Tray 60 ' can be replaced if deemed faulty

COMPONENTS



NOTE:

- Component quantity indicative of single body fittings only, multibody fittings require multiples.
- **Linear connector only necessary if installing multiple body fitting.
- Guide applicable for both Soft and Flush end capped Wall-mounted Mrs TG.
- *Secondary powerfeed is only necessary if DUAL CIRCUIT.

DATUM	DISTANCE	DESCRIPTION
A)	45MM	POWERFEED
B)	150MM	MOUNT POINT
C)	PROFILE LENGTH/2	3RD MOUNT POINT IF GREATER THAN 2.2M

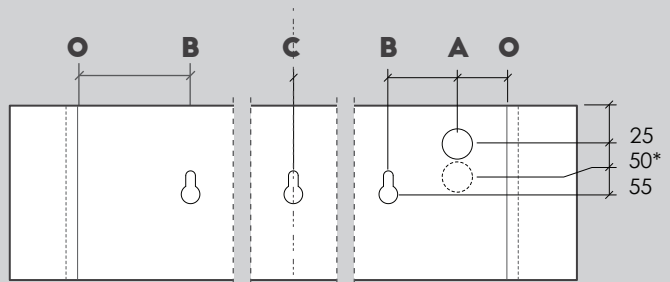
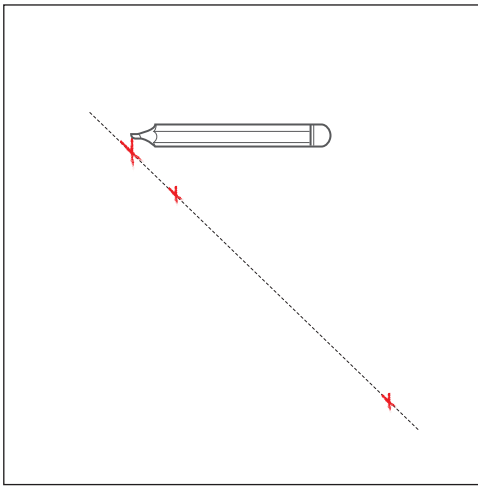


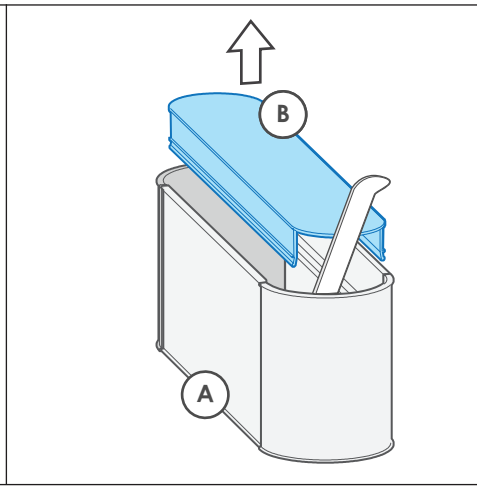
FIGURE A. CRITICAL DIMENSIONS



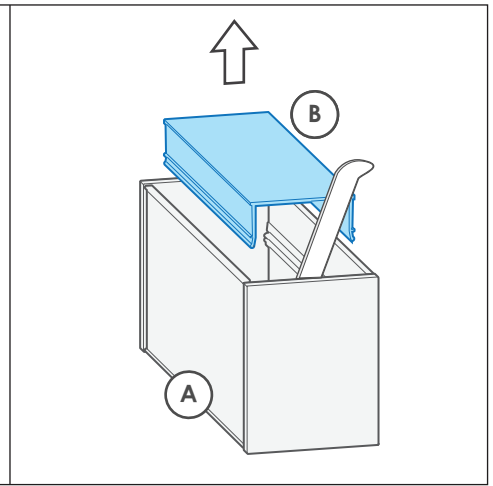
04.05.20



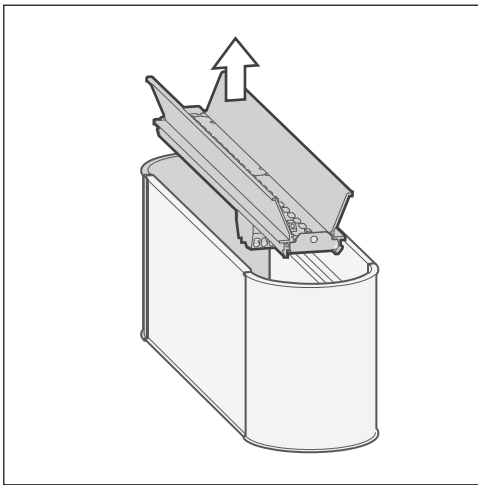
1. Measure and mark the appropriate placement of luminaire. Refer to **FIGURE A** for critical dimensions.



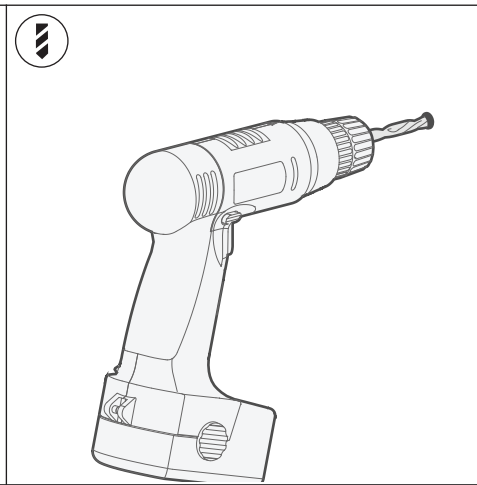
2A. IF SOFT END CAP
Unassemble luminaire by removing lens(B).



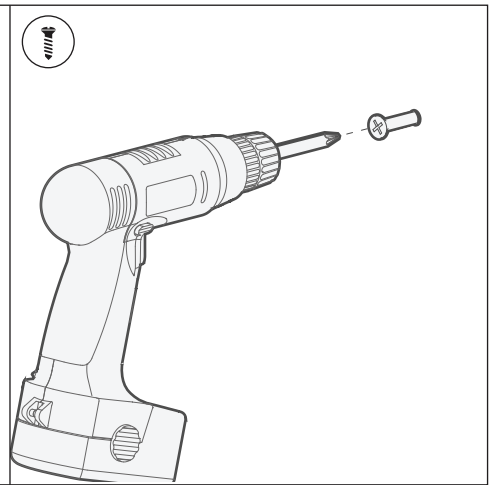
2B. IF FLAT END CAP
Unassemble luminaire by removing lens(B).



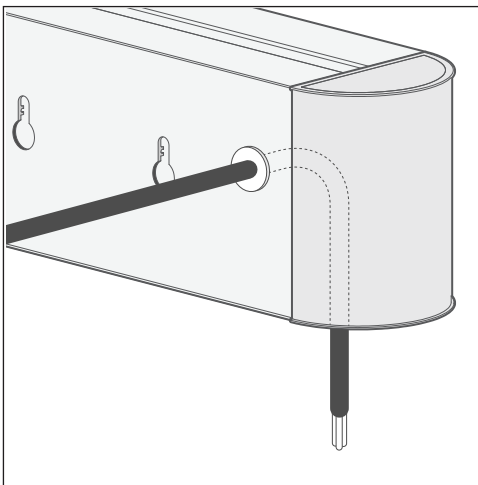
3. Remove Light Tray(C) using a flat head screw driver to lever LT(C) out of retention clips(E).



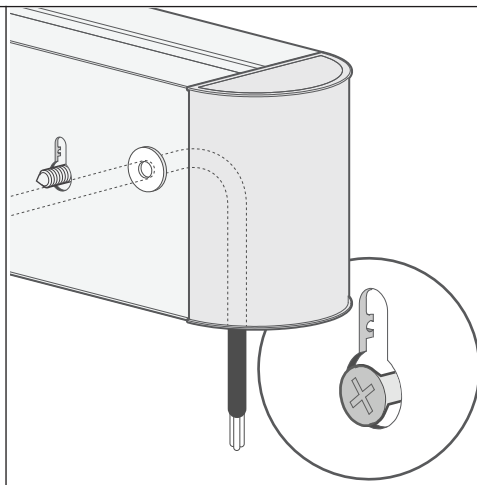
4. Screw appropriate fasteners on the desired surface.



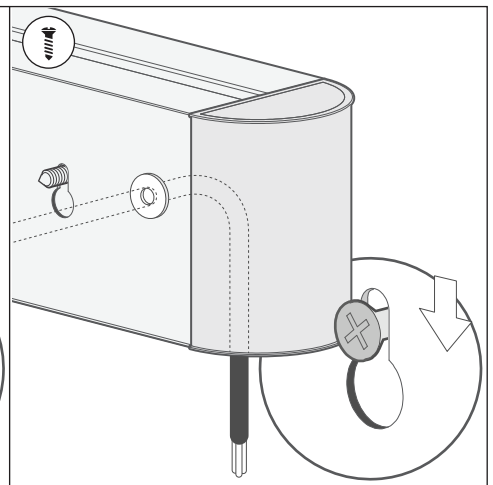
5. Ensure screw head sits proud of surface.



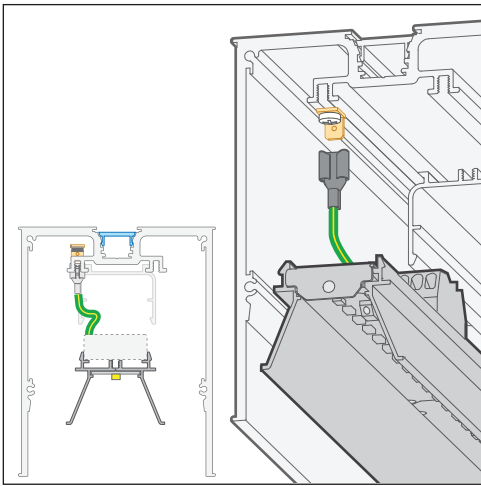
6. Feed the Power Cable through the Grommet.



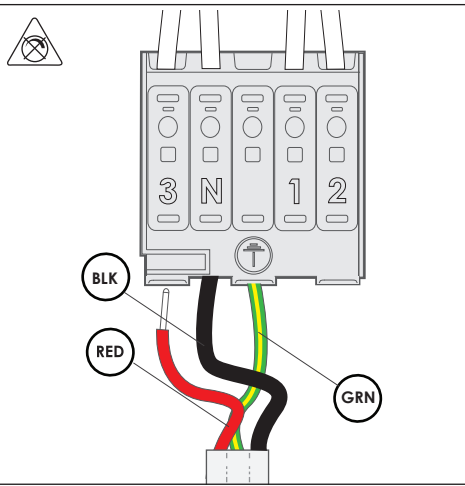
7. Insert mainbody(A) keyholes onto the screw head.



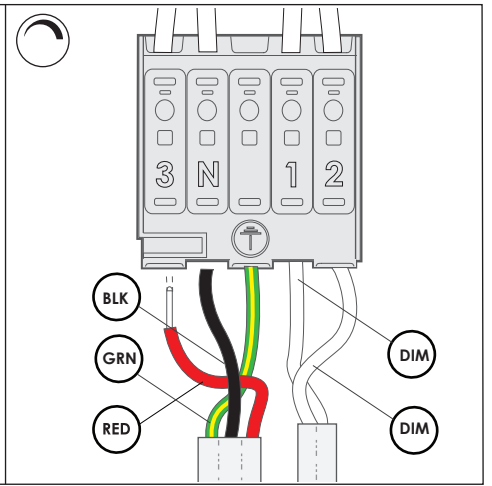
8. Slightly pull fitting down so that all screw heads are retained by the narrower portion of the keyhole.



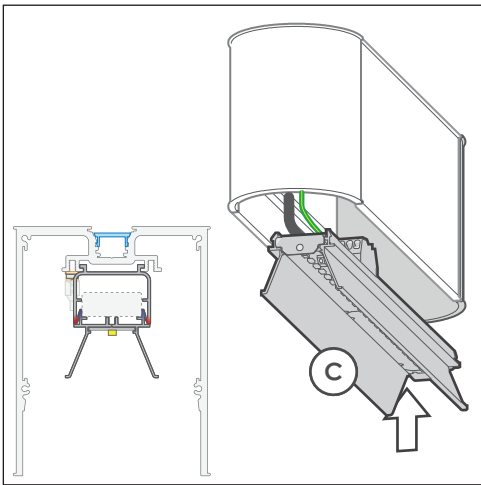
9.
Insert Earth spade into Terminal on all bodies.



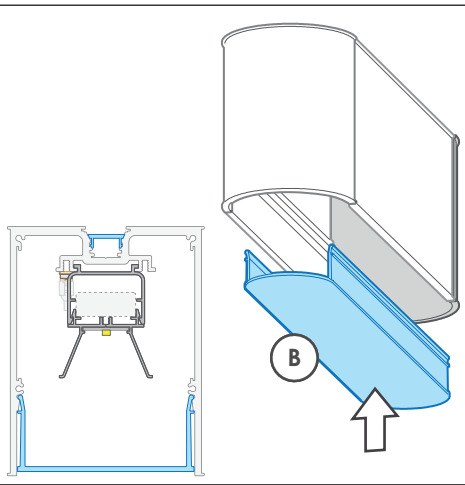
10A. IF NON DIM
Wire primary wires into terminal.



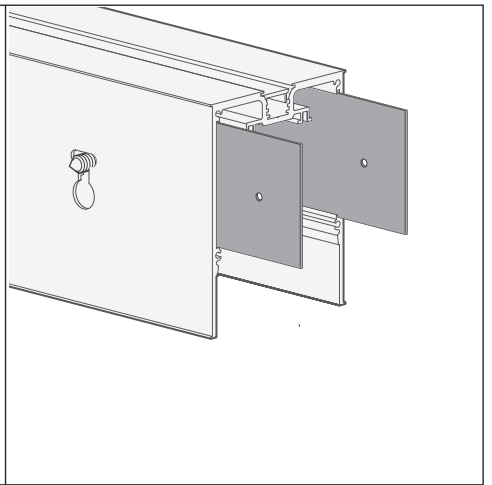
10B. IF DIM
Wire primary wires into terminal.
Wire Dimming wires into terminal.



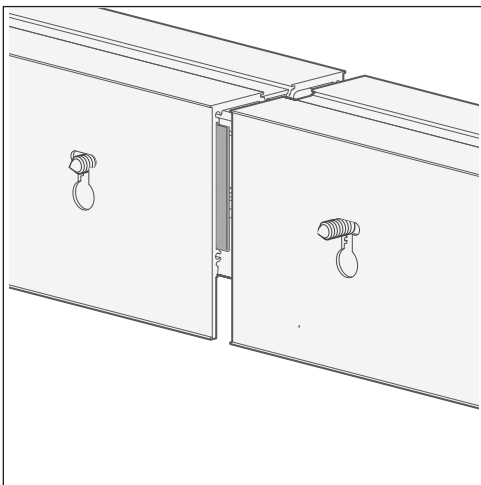
11.
Install light tray(C) by snap fitting into clips(E). Centre light tray.



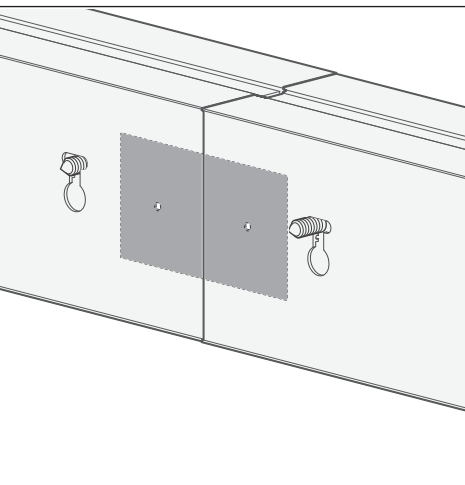
12.
Install Lens(B) by snap fitting into clipping detail. Centre lens.



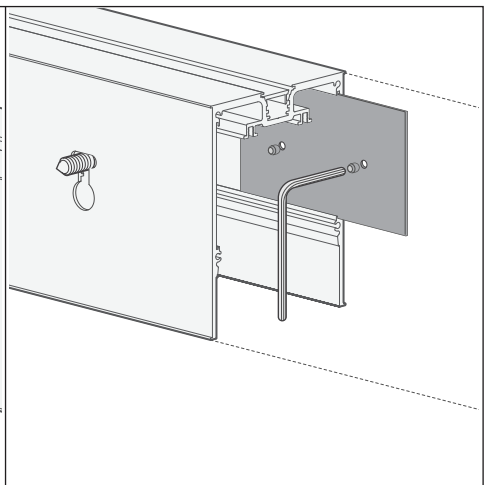
13. IF MULTIPLE BODIES
Replicate stages in order to install first body.
Ensure linear connectors(F) are located at join.



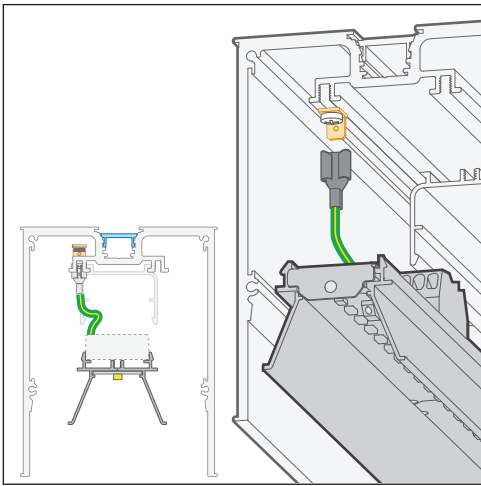
14.
Replicate prior stages in order to install secondary body.



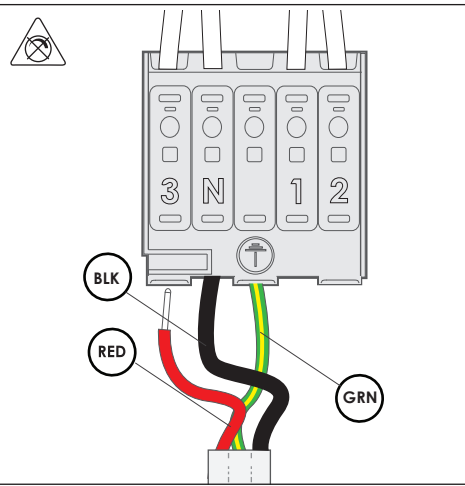
15.
Ensure both bodies are butted up against each other. Slide linear Connector(F) between join.



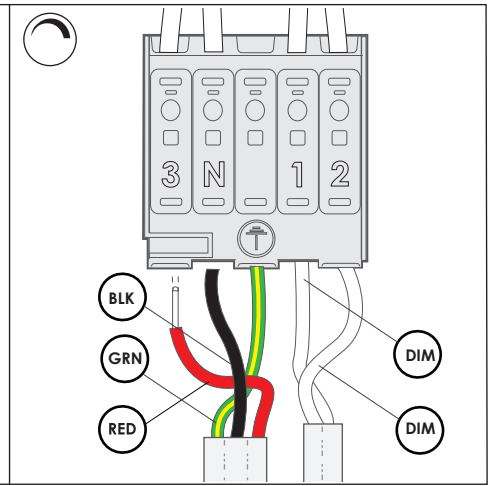
16.
Fasten all grub screws to fix multiple bodies together.



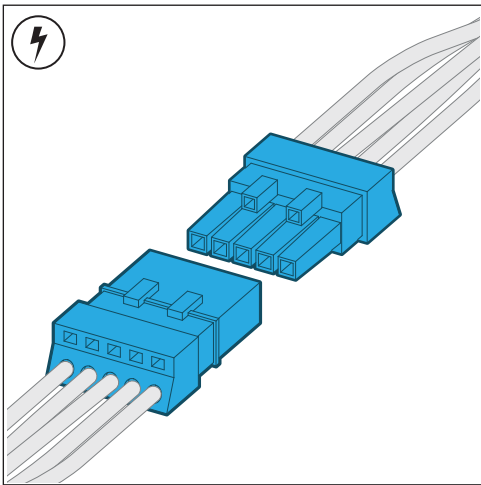
17.
Insert Earth spade into Terminal on all bodies.



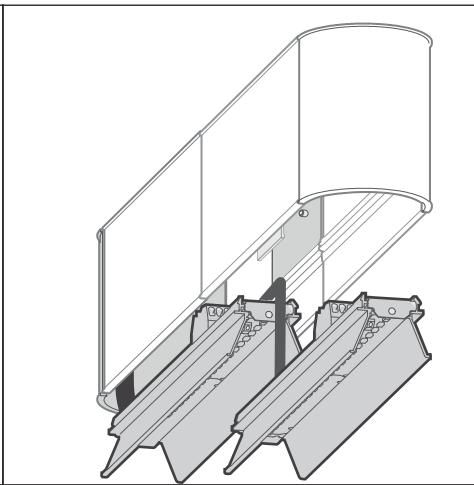
18A. IF NON DIM
Wire primary wires into terminal.



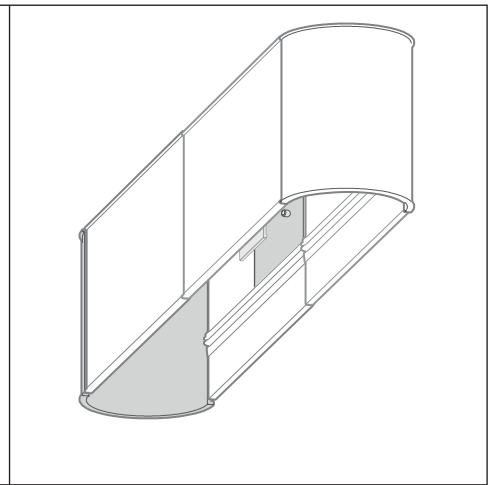
18B. IF DIM
Wire primary wires into terminal.
Wire Dimming wires into terminal.



19.
Connect the appropriate plugs.



20.
Install *light tray(C)* by snap fitting into *clips(E)*. Centre light tray.



21.
Install *Lens(B)* by snap fitting into clipping detail. Centre lens.