

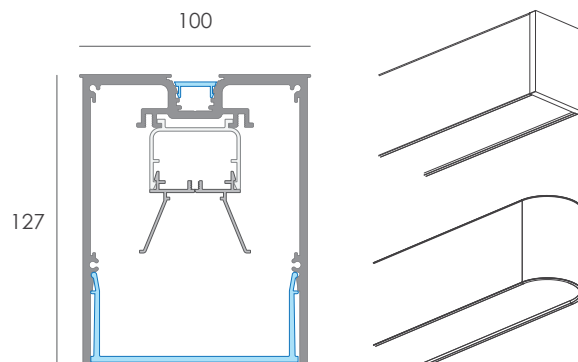
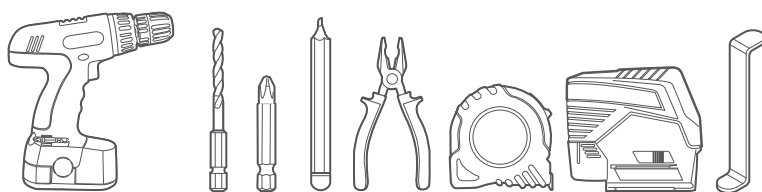
Ensure that products are mounted with supplied, recommended or appropriate screws and fixings to suit the mounting surface.

WARNING

INSTALLATION IS ONLY TO BE CARRIED OUT BY SUITABLY QUALIFIED PERSONS IN ACCORDANCE WITH INSTALLATION INSTRUCTIONS AND ALL APPLICABLE REGULATIONS OR STANDARDS. (IMPROPER INSTALLATION CAN CREATE AN ELECTRICAL HAZARD WITH RISK OF ELECTRIC SHOCK, FIRE OR INJURY). DARKON WILL NOT BE HELD RESPONSIBLE FOR ANY CONSEQUENCES ARISING FROM IMPROPER PRODUCT HANDLING, STORAGE OR INSTALLATION.

TOOLS REQUIRED

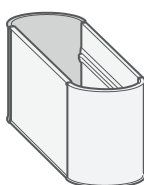
POWER DRILL / DRILL BIT / PHILLIPS DRIVER / PENCIL / PLIERS / TAPE MEASURE / PLUM LASER / LENS REMOVAL TOOL (SUPPLIED)



NOTE

- Lengths that exceed 2200mm are fitted with 3 suspensions adding to components H, I, J.
- Fixed Lengths follow stages 1-20. (remainder for multiple body fittings).

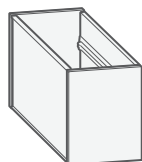
COMPONENTS



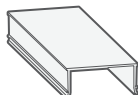
A
IF SOFT ENDCAP



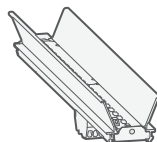
B
IF SOFT ENDCAP



A
IF FLAT ENDCAP



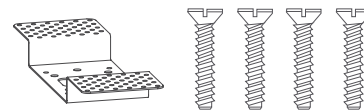
A
IF FLAT ENDCAP



C XI

REC
CUT OUT

Ø100



SUPPLIED IF REC CEILING PLATE



D E F G



H I J L

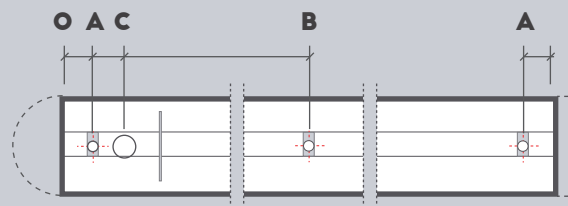
DISTANCE

DESCRIPTION

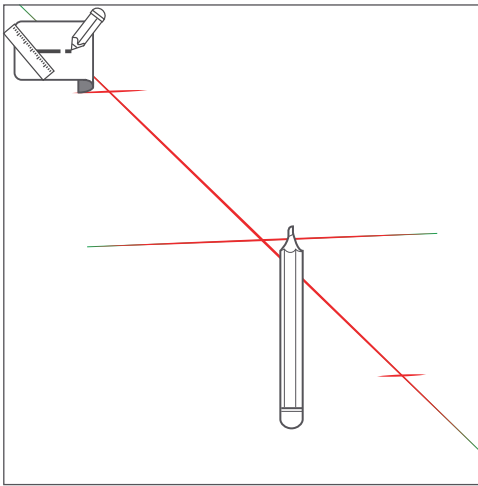
A)	15MM	SUSPENSION LOCATION
B)	$\frac{\text{PROFILE LENGTH}}{2}$	IF GREATER THAN 2.2M THIRD SUSPENSION POINT IS REQUIRED
C)	45MM	POWERFEED LOCATION

SUSPENSION DIMENSIONS

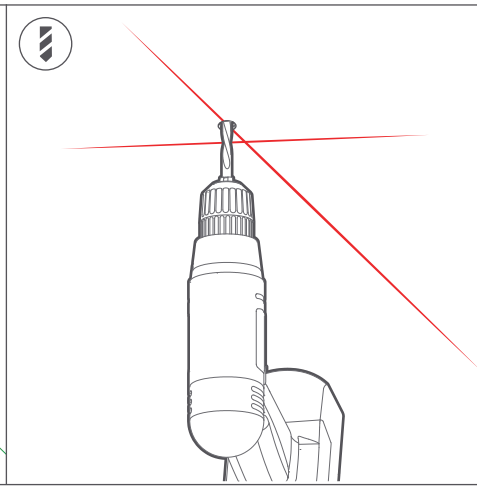
FIGURE 1. DIMENSIONS BASED OFF MAINBODY, NOT INCLUDING THICKNESS OF END CAP.



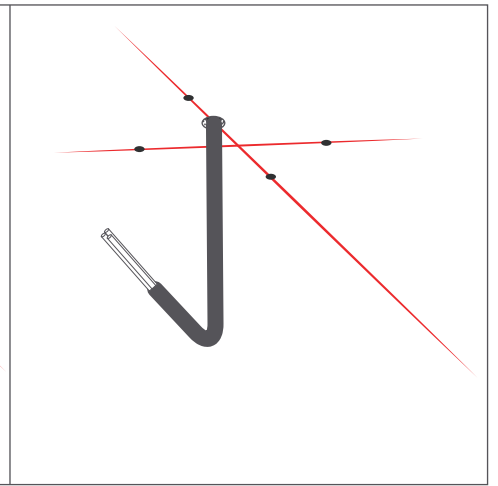
Light Tray may become loose in transit - Installer to ensure Light Tray is secured prior to Installation



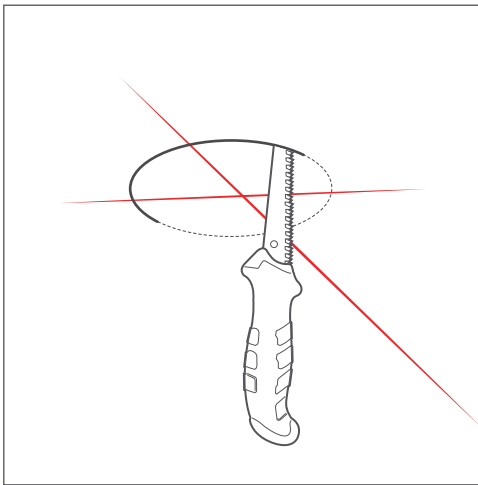
1.
Project line using laser plumb and mark necessary mounting points using supplied Darkon drawing as reference.



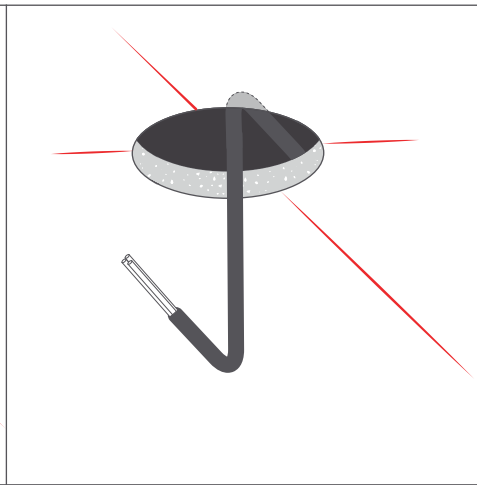
2A IF SM CEILING PLATE
Drill hole for powerfeed, drill pilot holes if necessary.



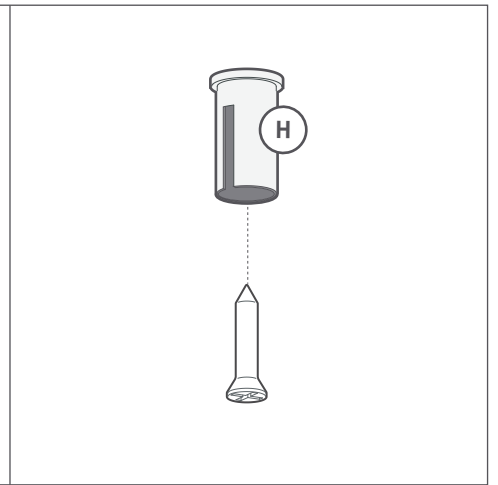
3A IF SM CEILING PLATE
Pull power cable(240V) through ceiling



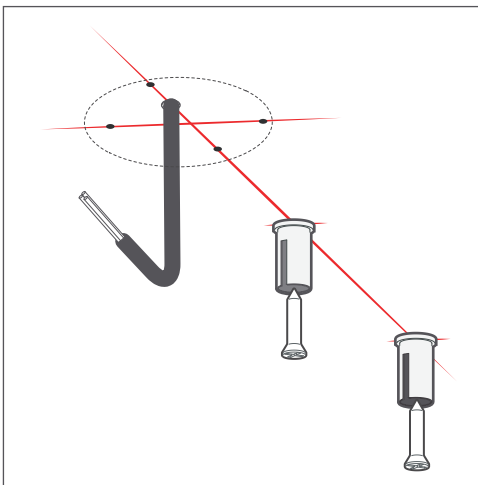
2B IF REC CEILING PLATE
Make cutout using appropriate wallboard saw.



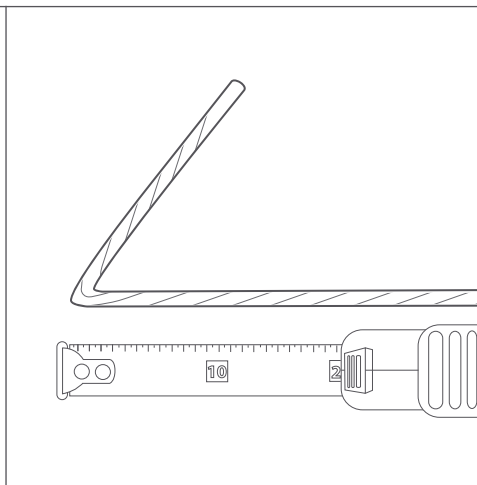
3B. IF REC CEILING PLATE
Pull power cable(240V) through cutout.



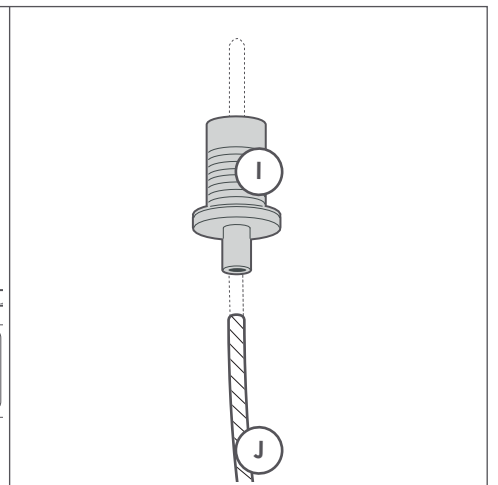
4.
Fix remaining posilock(H) onto the ceiling with appropriate fasteners (not supplied).



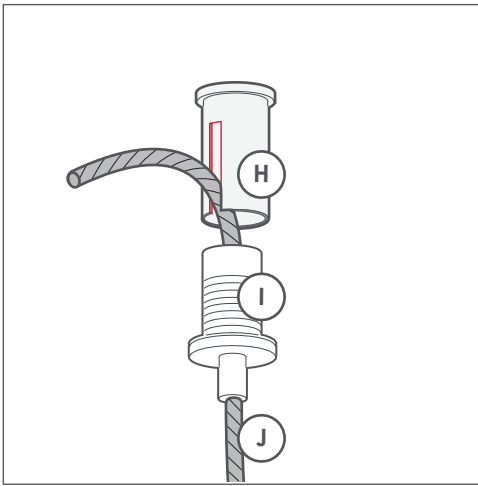
5.
If greater than 2.2m, ensure third, central suspension point is installed.



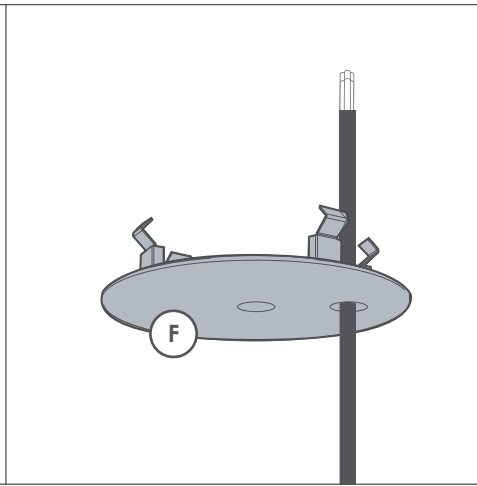
6.
Measure desired length of the Suspension wire(J). Lightly bend and crimp to mark desired length.



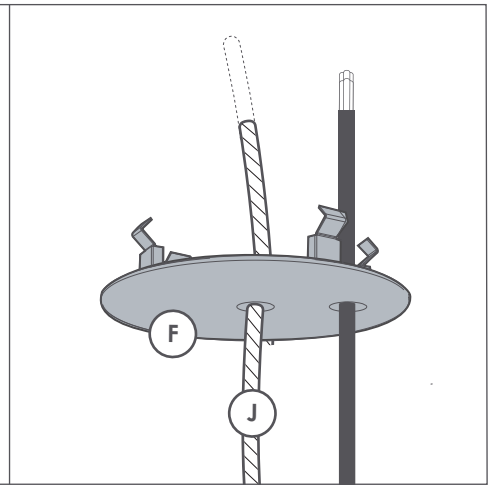
7.
Thread the Suspension wire(J) through wire gripper(I).



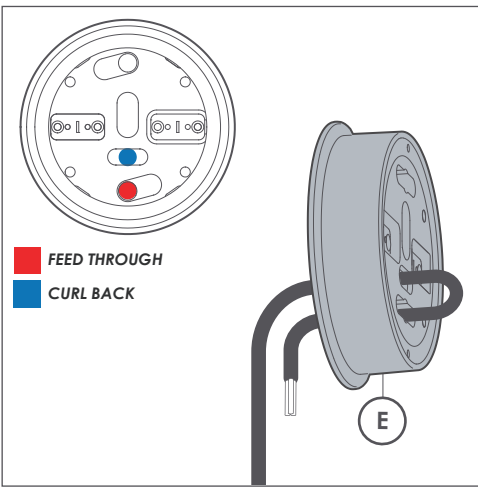
8. Insert excess wire (J) through slot & connect gripper (I) & posilock (H).



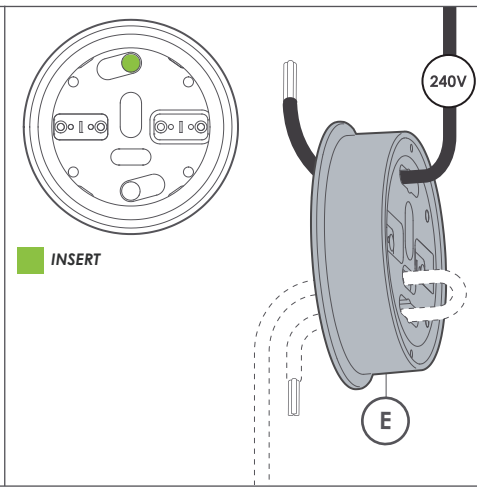
9. Pull supplied power cable through ceiling plate cover (F)



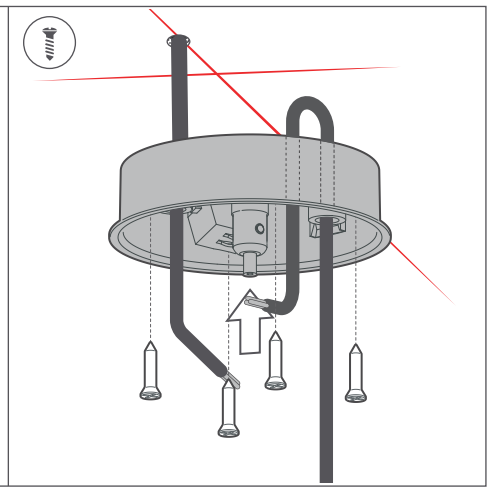
10. Pull supplied suspension wire (J) through ceiling plate cover (F)



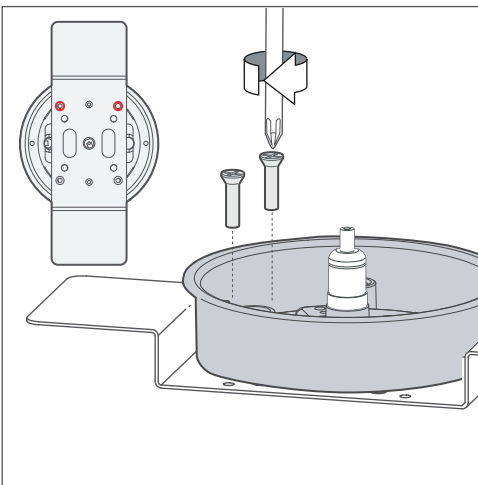
11. IF SM CEILING PLATE A
Thread power cable (from fitting) through cable anchor. Curl back into cutout.



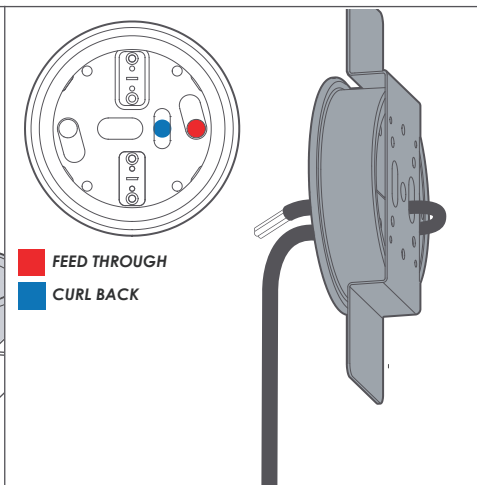
IF SM CEILING PLATE B
Insert power cable (from ceiling) through opposite cutout (see inset)



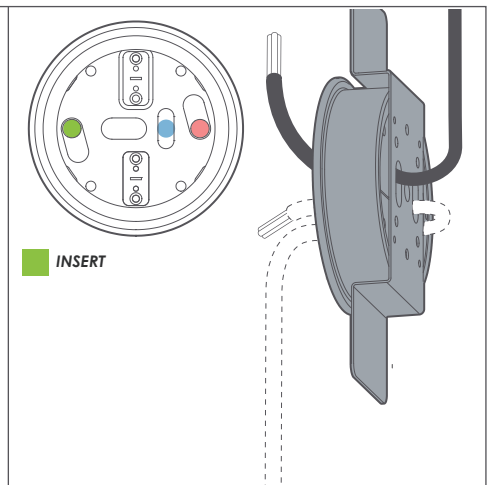
IF SM CEILING PLATE C
Fix ceiling plate (E) with appropriate fasteners (not supplied)



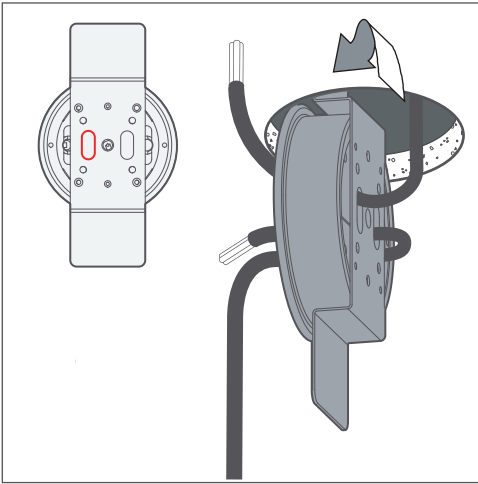
11. IF REC CEILING PLATE A
Align holes and install 2 of 4 bolts into one side of bracket (G).



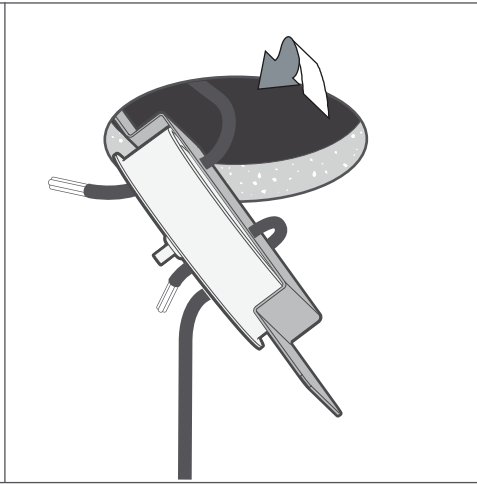
IF REC CEILING PLATE B
Thread power cable (from fitting) through cable anchor & Bracket (G). Curl back into cutout.



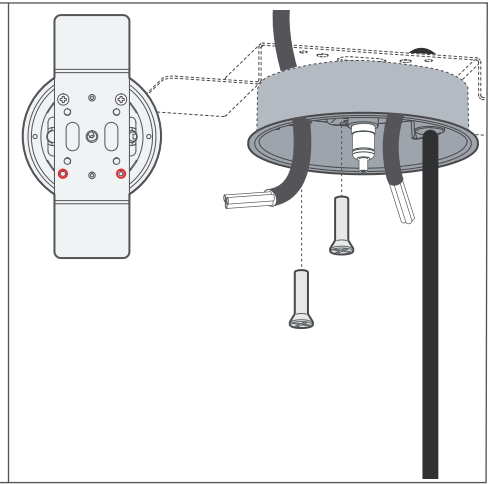
IF REC CEILING PLATE C
Insert power cable (from ceiling) through opposite cutout (see inset)



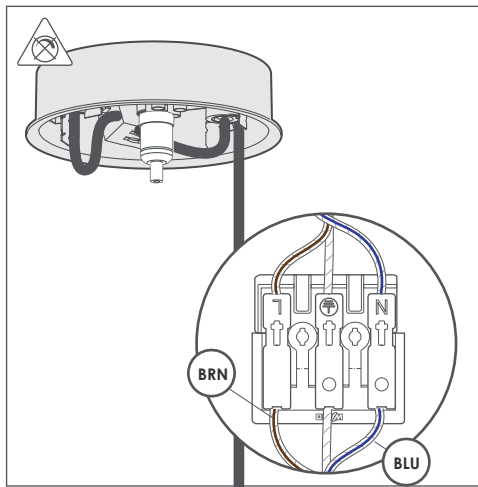
11. IF REC CEILING PLATE D
Insert the fixed ceiling plate(E) & bracket(G) into the cutout. Ensure lip of ceiling plate sits proud of surface.



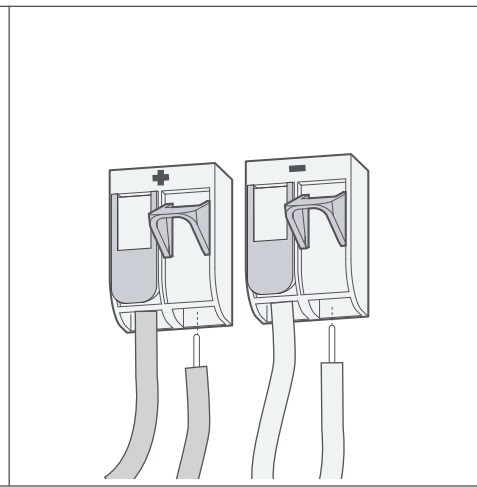
IF REC CEILING PLATE E
Step the fixed ceiling plate(E) & bracket(G) into the cutout.



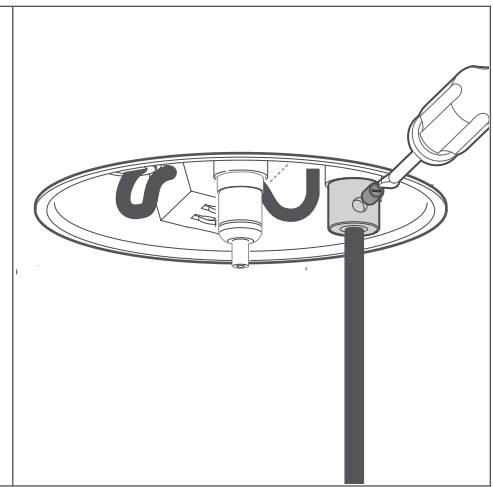
IF REC CEILING PLATE F
Fix the remaining side of the Ceiling plate(E) into bracket(G) with the remaining 2 bolts



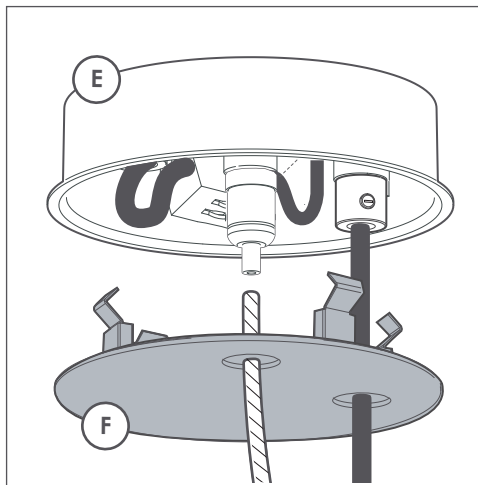
12A. (NON DIM)
Insert wires into terminal.



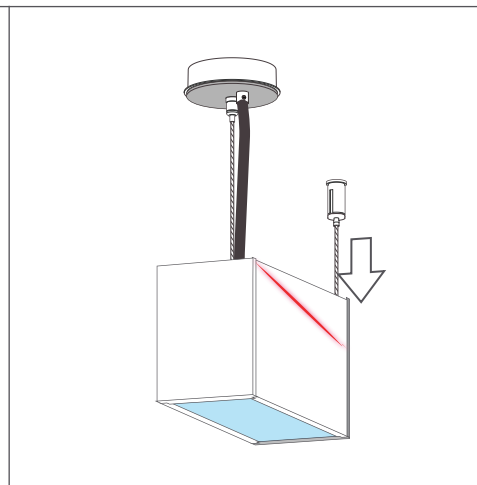
12B. (DIM)
Repeat previous steps by inserting wires into terminal. Connect dimming wires to Wago plugs



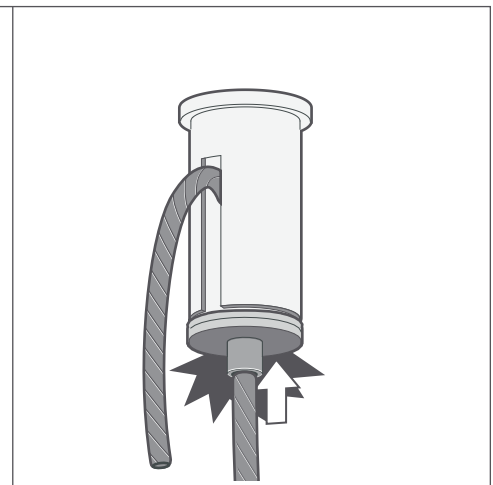
13.
Fix 3mm grub screw into cable anchor with flathead driver.



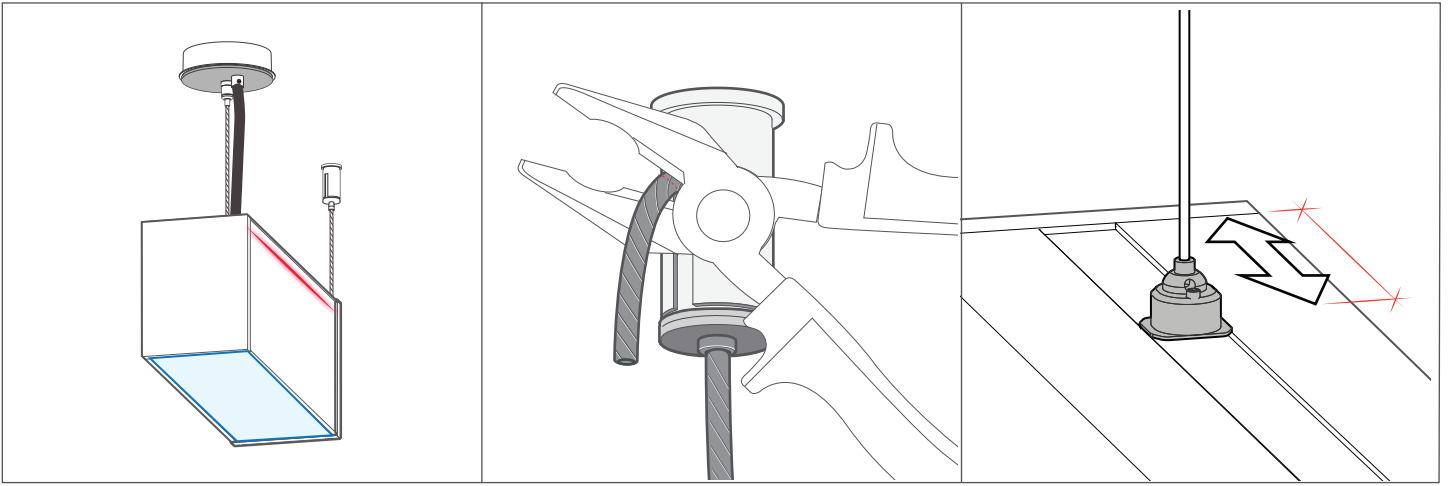
14.
Attach cover(F) onto the Ceiling plate(E). Insert suspension wire into posilock.



15.
Use Laser Plum to ensure fitting is straight.



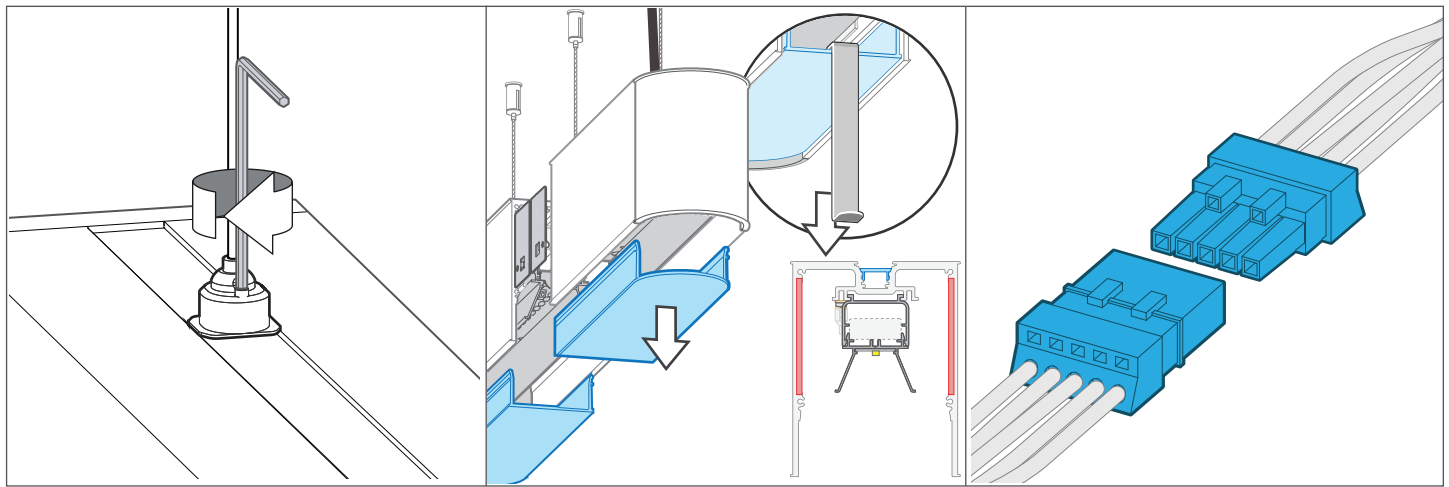
16. IF ADJUSTMENT IS REQ.
Press sprung tip of Wire Gripper(I). Adjust length of wire until all suspension points are level.



17. Use laser to confirm bodies are square and levelled correctly.

18. Using pliers, trim off excess suspension wire(J).

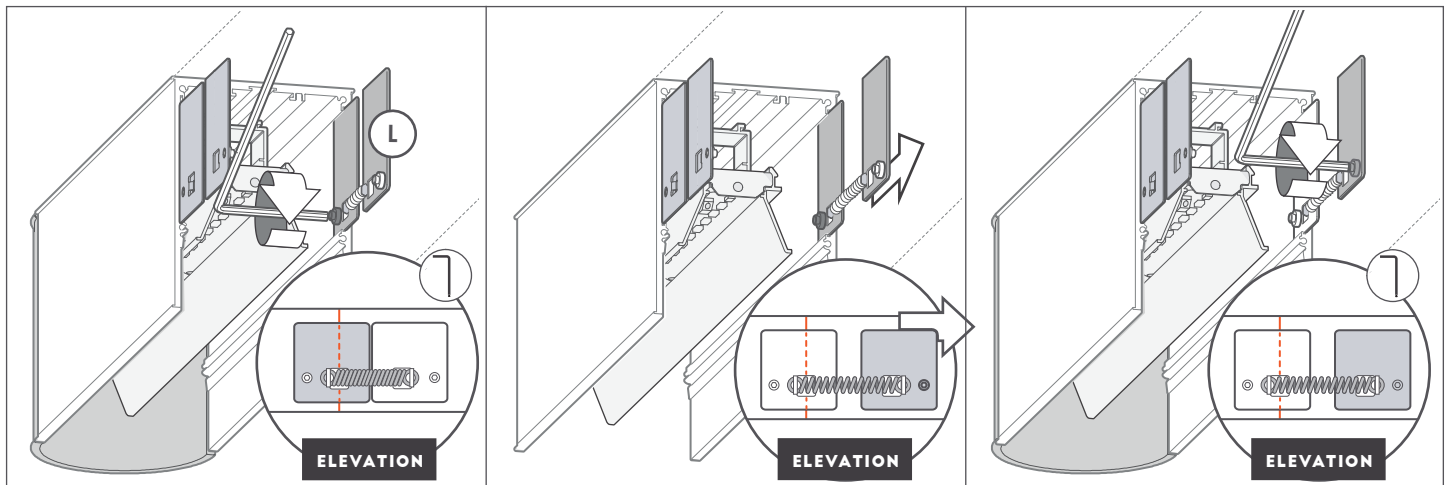
19. Ensure suspensions are positioned in appropriate location (see figure 1)



20. Ensure all suspension saddles(D) are fixed by using 3mm Allenkey.

21. IF MULTIPLE BODIES
Repeat stages 4-20 to install secondary body. Remove lens using 'lens removal tool' to pry out of clipping detail. Slide living linear connectors into detail.

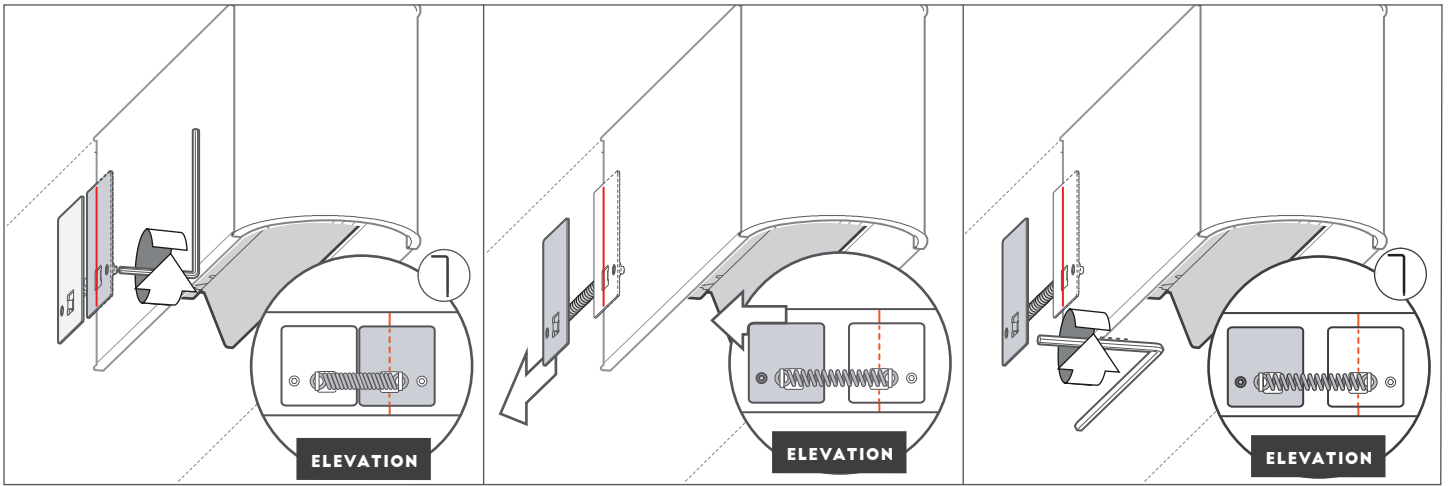
22. Connect the appropriate plugs.



23. Butt up both bodies & slide 'Living linear connector' (L). Ensure left plate covers join. Tighten left grub screw with 3mm Allenkey.

24. Slide right plate into secondary body.

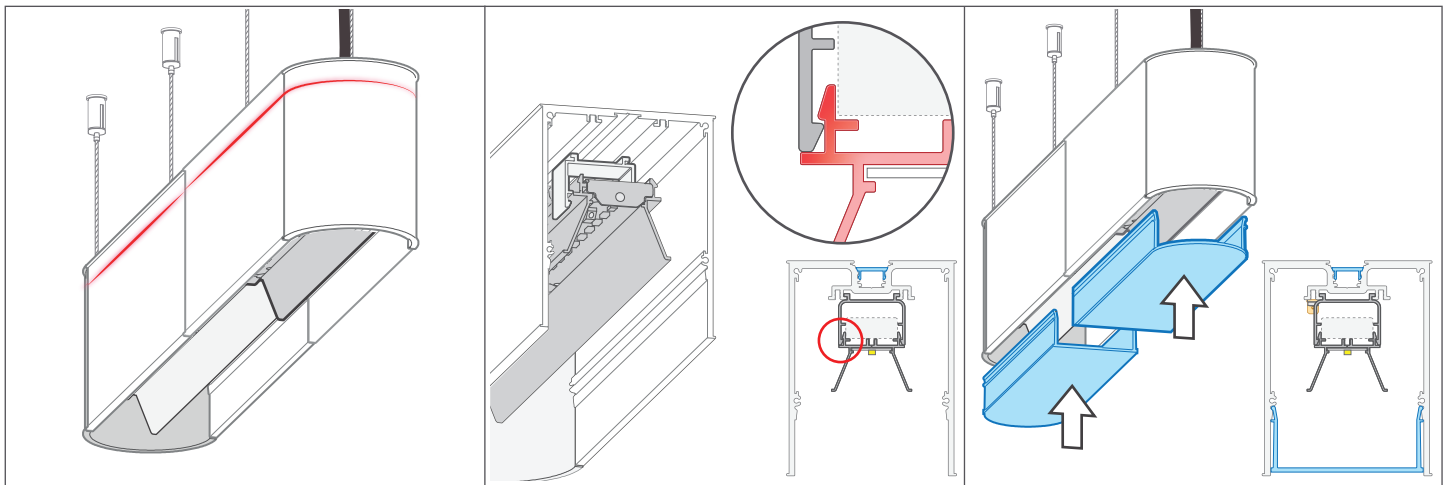
25. Ensure spring is tensioned. Tighten grub screw with 3mm Allenkey.



26. On opposite side, slide 'Living linear connector' (L). Ensure left plate covers join.

27. Slide right plate into first body.

28. Ensure spring is tensioned. Tighten grub-screw with 3mm Allenkey.



29. Use laser to confirm bodies are square and levelled correctly.

30. Ensure Light Tray is secured by pressing Light Tray(C) into Light Tray clips.

31. Attach Lens(C) back into the mainbody clipping detail.