

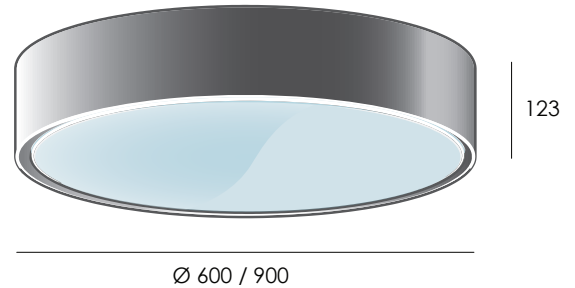
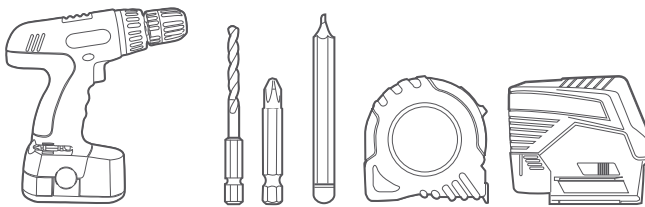
Ensure that products are mounted with supplied, recommended or appropriate screws and fixings to suit the mounting surface.

WARNING

INSTALLATION IS ONLY TO BE CARRIED OUT BY SUITABLY QUALIFIED PERSONS IN ACCORDANCE WITH INSTALLATION INSTRUCTIONS AND ALL APPLICABLE REGULATIONS OR STANDARDS. (IMPROPER INSTALLATION CAN CREATE AN ELECTRICAL HAZARD WITH RISK OF ELECTRIC SHOCK, FIRE OR INJURY). DARKON WILL NOT BE HELD RESPONSIBLE FOR ANY CONSEQUENCES ARISING FROM IMPROPER PRODUCT HANDLING, STORAGE OR INSTALLATION.

TOOLS REQUIRED

POWER DRILL / DRILL BIT / PHILLIPS DRIVER / PENCIL / TAPE MEASURE / PLUM LASER.



MAINTENANCE



Wipe product with a clean dry microfiber cloth. Do not use any cleaning products/ chemicals to clean product.

SERVICING

This is a non-servicable fitting.

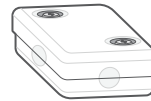
COMPONENTS



A

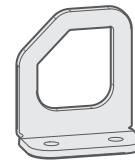


B

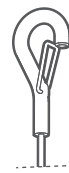


C

J BOX
NOT SUPPLIED



D



E

NOTES

FIGURE 1. CRITICAL INFORMATION

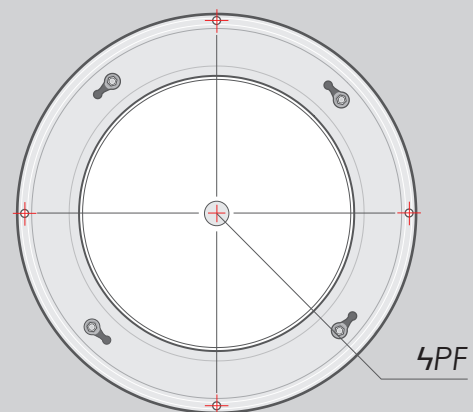
CAUTION HEAVY OBJECTS

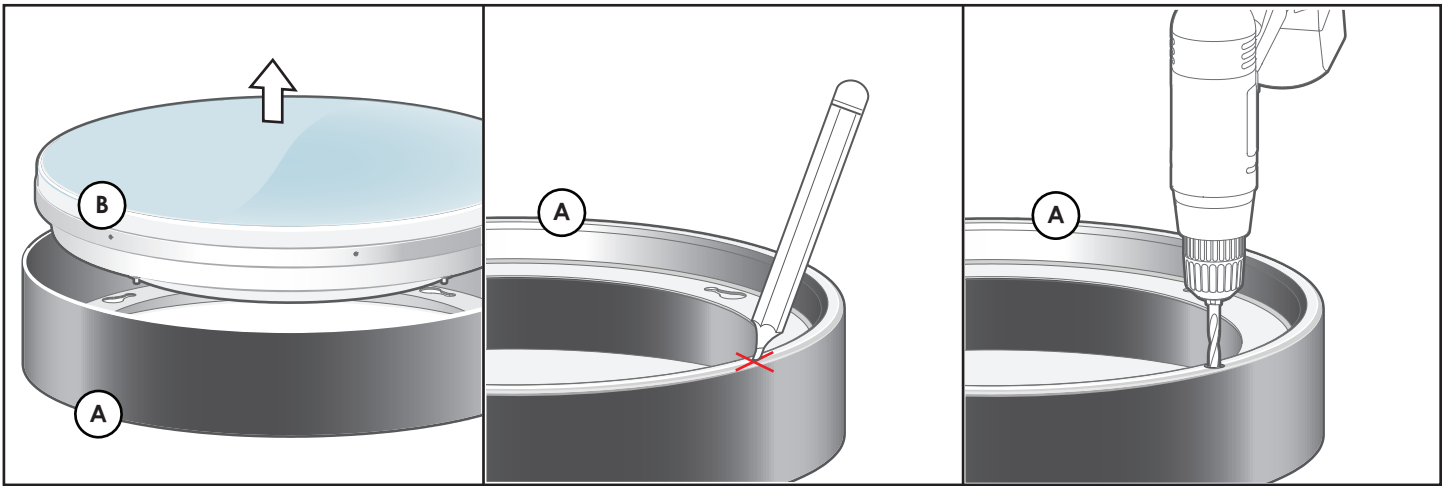
PROCEED WITH CAUTION AND SEEK ASSISTANCE WITH LIFTING.



NO. OF MOUNTING HOLES PLACED EVENLY AROUND A CIRCULAR ARRAY

SIZE	WEIGHT	NO. OF MOUNTING HOLES PLACED EVENLY AROUND A CIRCULAR ARRAY
Ø 600	10kg	QTY X 4 HOLES
Ø 900	20kg	QTY X 6 HOLES

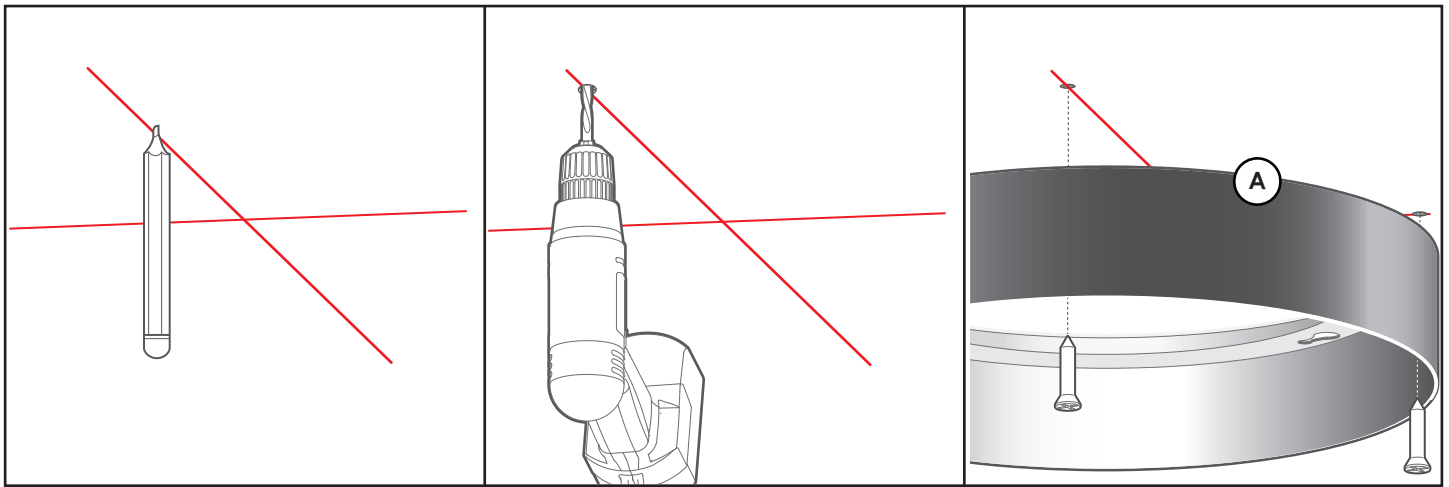




1. Remove Lens(B) from Mainbody(A).

2. Mark mounting locations on rear of Mainbody(A). See Figure One for critical information.

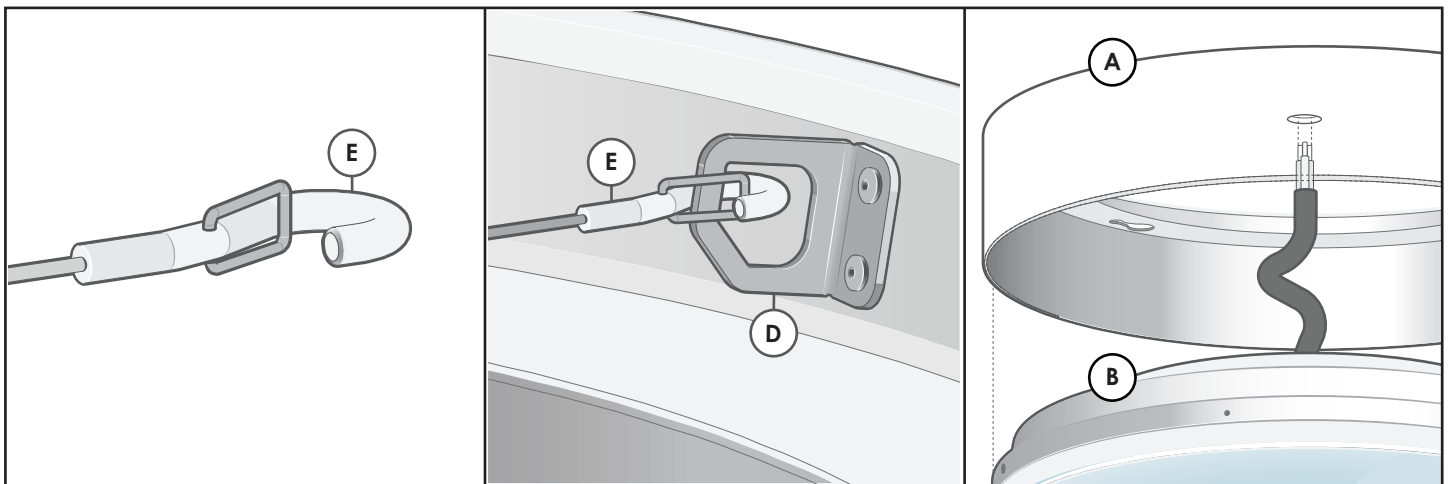
3. Drill through Mainbody(A) with appropriate sized Drill Bit to create clearance holes for mounting screws. Screws not supplied.



4. Using appropriate measuring tools, mark out placement & location of fitting.

5. Drill all necessary powerfeed & pilot holes.

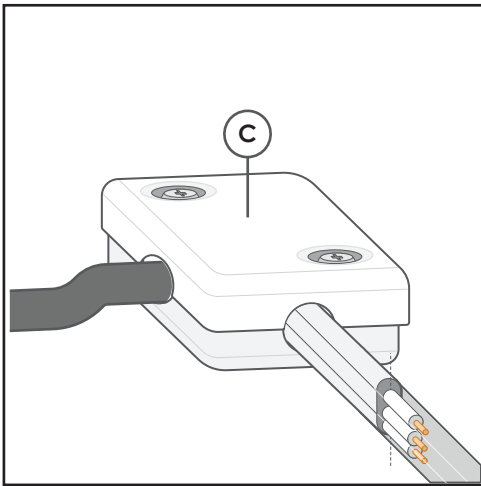
6. Fasten Mainbody(A) with appropriate mounting screws to ceiling. Screws not supplied.



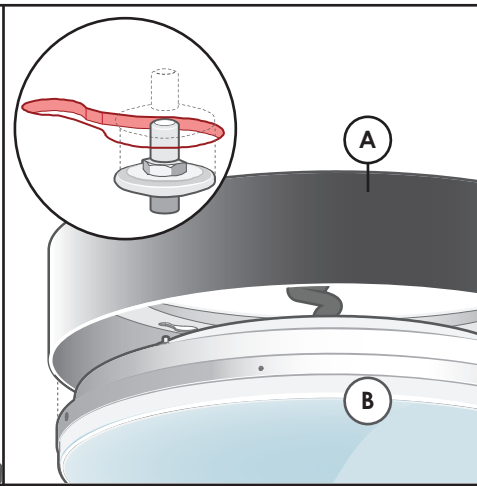
7. Press sprung gate of Carabiners(E).

8. Hook Carabiners(E) to Bracket(D) found on Mainbody(A). Clip all supplied Carabiners(E) to Bracket(D).

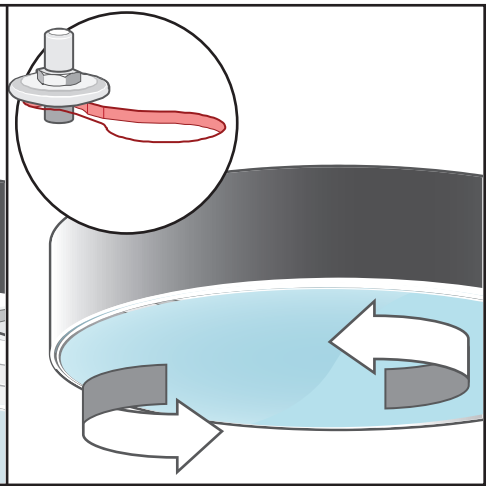
9. Thread supplied cable into ceiling.



9. Terminate powercable into ceiling using appropriate J Box(C).
J Box not supplied



10. Insert Lens(B) into Mainbody(A). Ensure washer lines up with larger portion of 'bayonet' keyhole detail.



11. Rotate Lens(B) CLOCKWISE to ensure washer sits on smaller portion of 'bayonet' keyhole detail.