

INSTALLATION

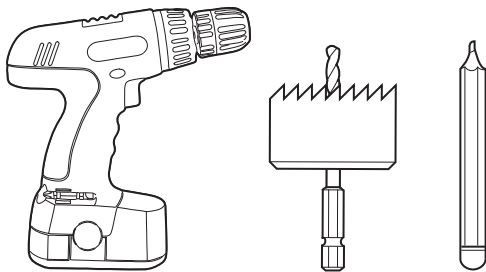
Ensure that products are mounted with supplied, recommended or appropriate screws and fixings to suit the mounting

WARNING

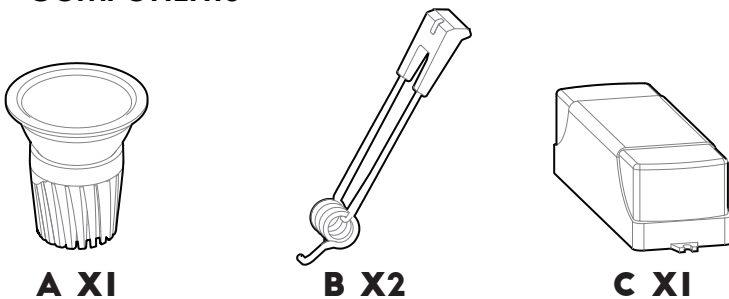
Installation is only to be carried out by suitably qualified persons in accordance with installation instructions and all applicable regulations or standards. (Improper installation can create an electrical hazard with risk of electric shock, fire or injury). Darkon will not be held responsible for any consequences arising from improper product handling, storage or installation.

TOOLS REQUIRED

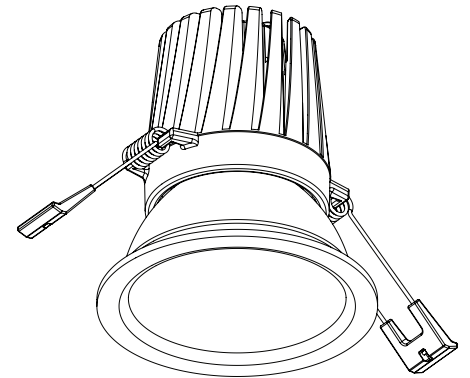
Power drill / Hole Saw / Pencil.



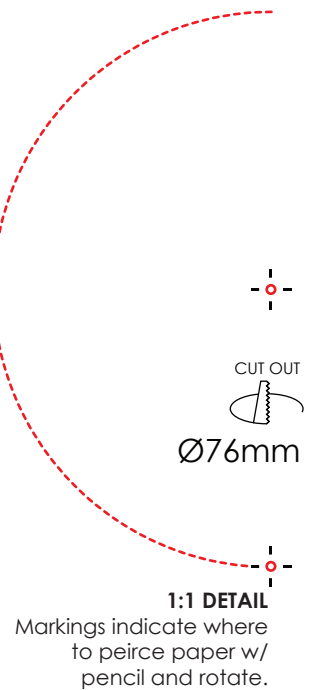
COMPONENTS



103

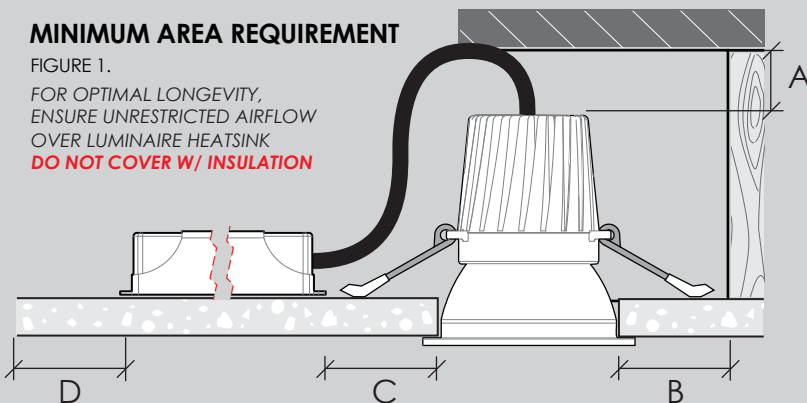


Ø90



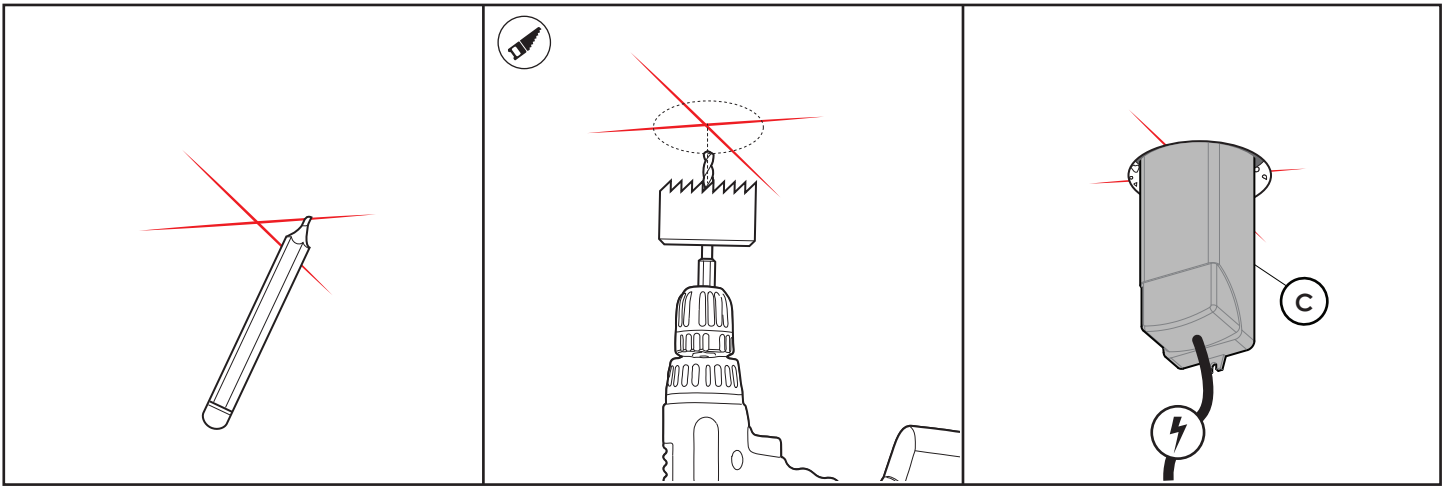
MINIMUM AREA REQUIREMENT

FIGURE 1.
FOR OPTIMAL LONGEVITY,
ENSURE UNRESTRICTED AIRFLOW
OVER LUMINAIRE HEATSINK
DO NOT COVER W/ INSULATION



DISTANCE	DESCRIPTION
A) 50MM (MINIMUM)	CLEARANCE FOR TOP OF LUMINAIRE
B) 50MM (MINIMUM)	CLEARANCE B/W STRUCTURAL MEMBER
C) 50MM (MINIMUM)	CLEARANCE FOR DRIVER
D) 50MM (MINIMUM)	

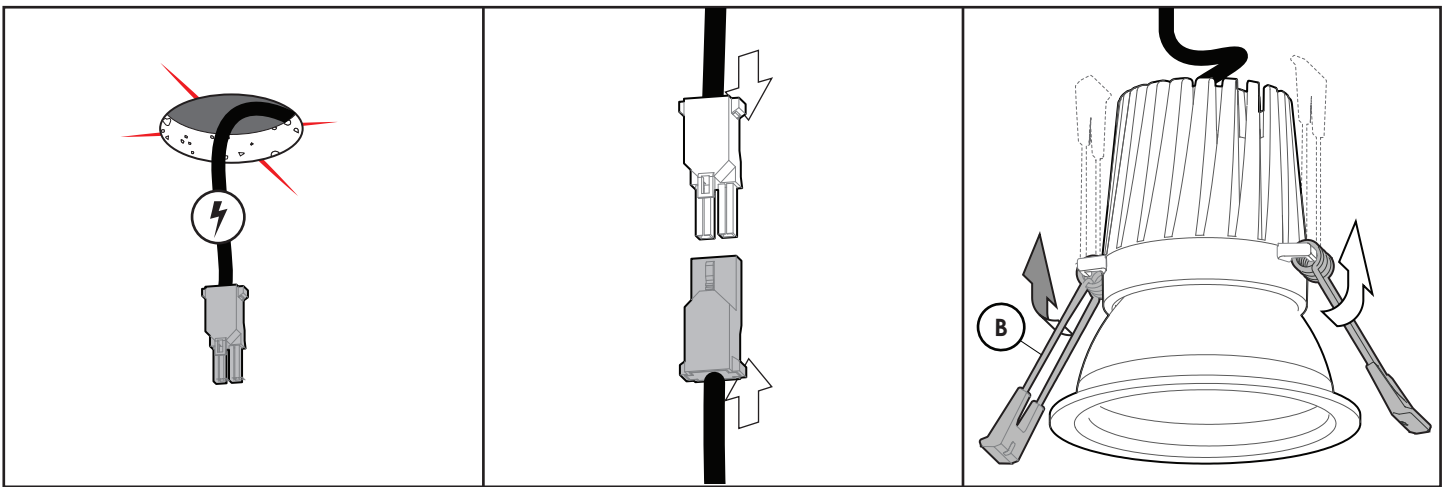




1. With a pencil, mark out the projected hole cut out for the driver.

2. Using a holesaw, cut out the necessary hole for the driver(C).

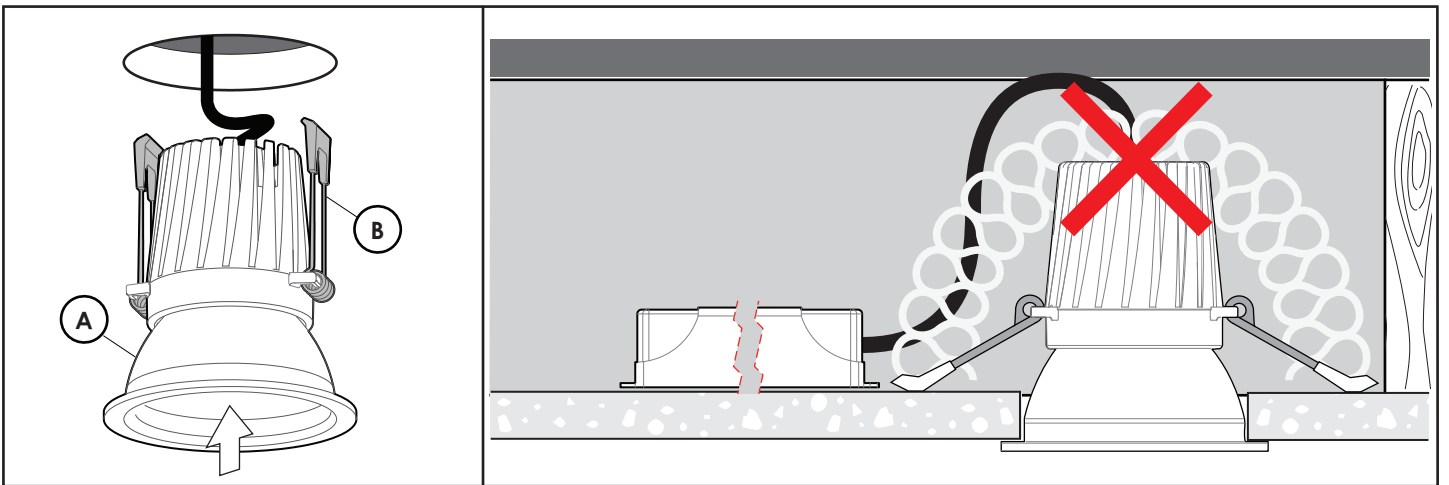
3. Insert driver(C) into cutout.



4. Feed secondary wire through cutout.

5. Connect appropriate electrical plugs.

6. Bend back both *spring clips*(B)



7. With *spring clips*(B) bent back, insert *downlight*(A) into cutout.

8. Downlight appropriately installed with spring clips suspending luminaire. Ensure all clearance values are maintained after installation for Downlight, Driver, insulation and structural members (See figure 1)