

HUNG DEEP SUS

SUSPENDED FITTING

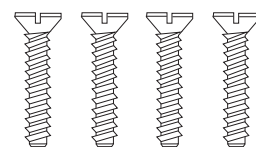
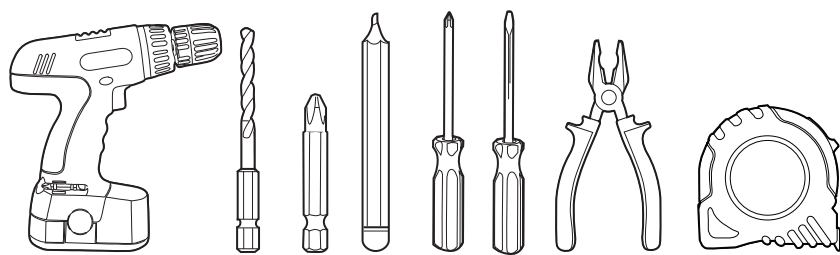
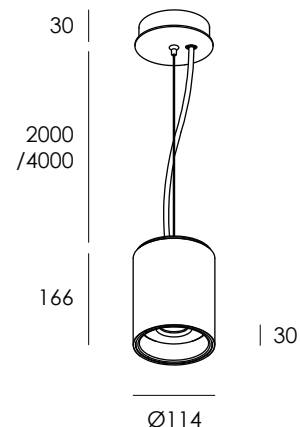
DARKON™
THE EDGE OF LIGHT

INSTALLATION: Ensure that products are mounted with supplied, recommended or appropriate screws and fixings to suit the mounting surface.

WARNING: Installation is only to be carried out by suitably qualified persons in accordance with installation instructions and all applicable regulations or standards. *(Improper installation can create an electrical hazard with risk of electric shock, fire or injury).* Darkon will not be held responsible for any consequences arising from improper product handling, storage or installation.

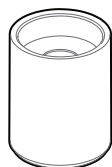
TOOLS REQUIRED:

Power drill / Drill bit / Phillips Driver / Pencil / Screwdriver
Flat Scredriver / Pliers / Tape measure.



**SUPPLIED IF REC
CEILING PLATE***

COMPONENTS:



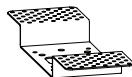
A



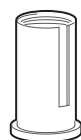
B



C



D*



E



F



G



H

REC

CUT OUT

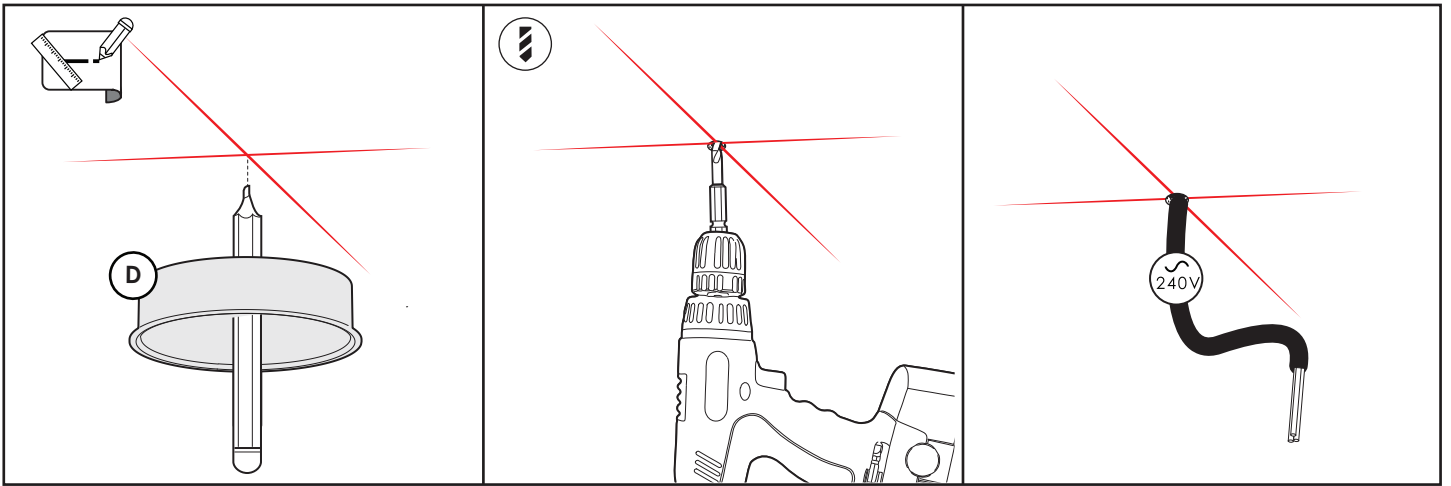


Ø100

IP22  

03.10.2018

PAGE: 1/4



1. IF SM CEILING PLATE

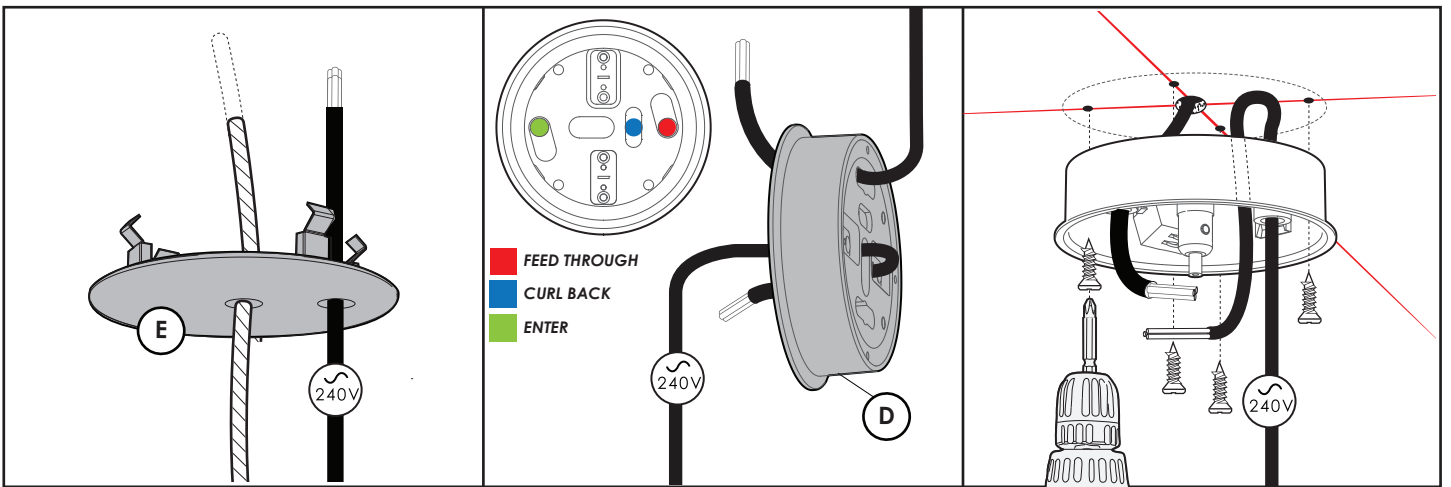
-Utilising supplied Darkon drawings, Mark out the projected hole positions for the Ceiling rose(D) & suspension points.

2.

-Drill hole for powerfeed.
-Drill pilot holes if necessary.

3.

-Pull powercable(240V) through ceiling



4.

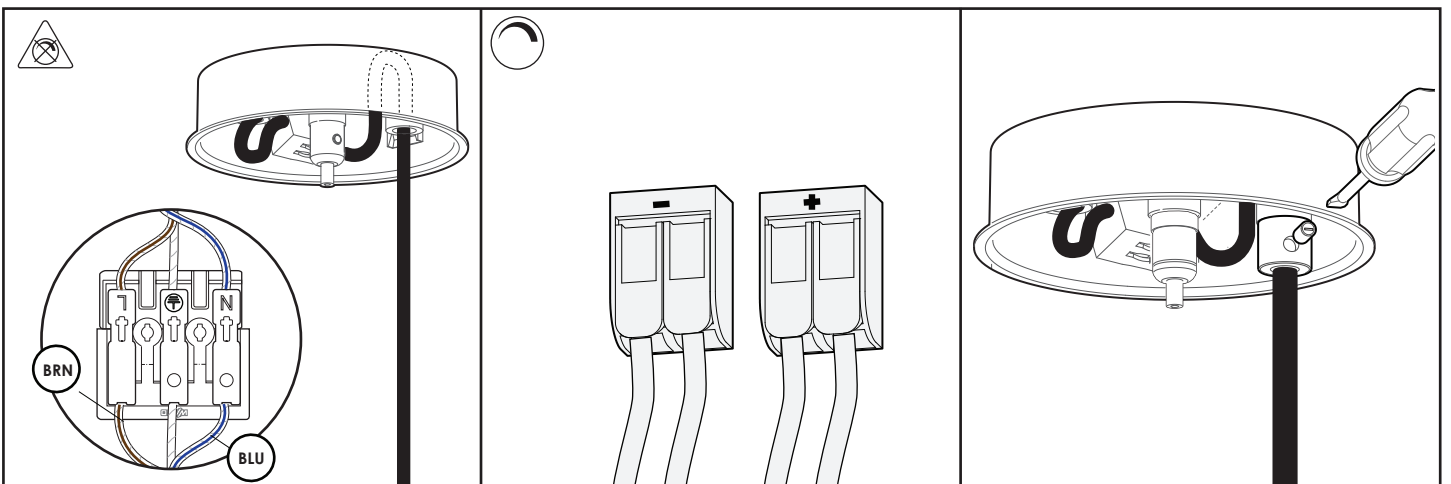
-Pull powercable(240V) through ceiling plate cover.

5.

-Thread powercable(240V) through central cable anchor & curl back into cutout.
-Insert powercable(240V) through opposite cutout (see inset)

6.

-Fix ceilingplate(B) with appropriate fasteners (not supplied)



7A. IF NON DIM

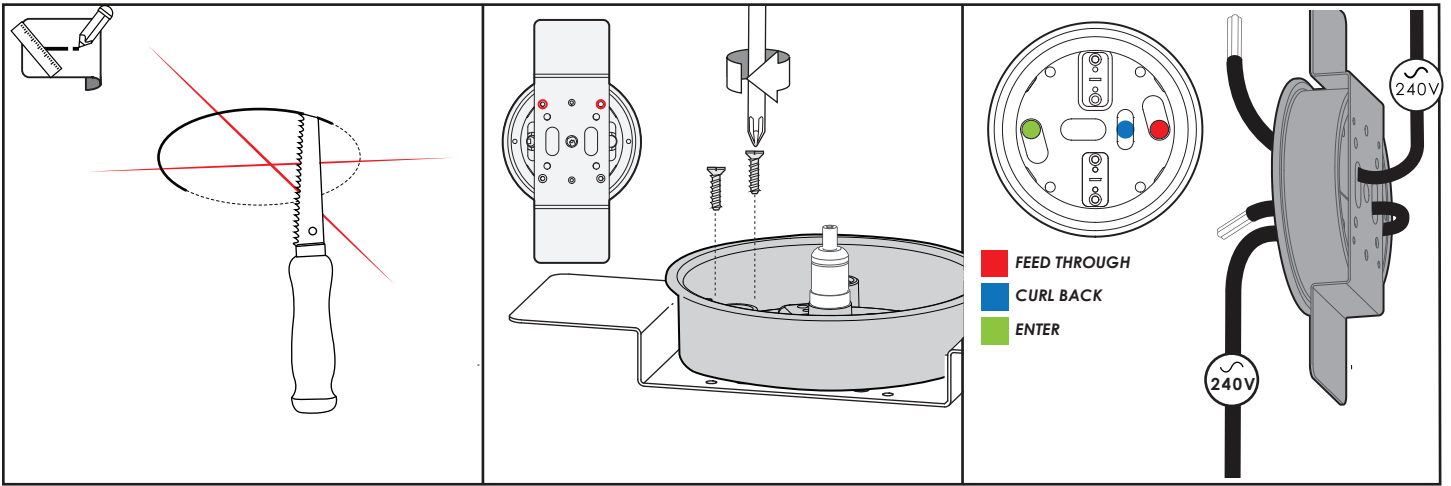
-Wire primary wires into terminal.

7B. IF DIM

-Replicate step 7A and connect dimming wires into wago terminal block, close.

8.

-Fix 3mm grub screw into cable anchor with flathead driver.



1. IF REC CEILING PLATE

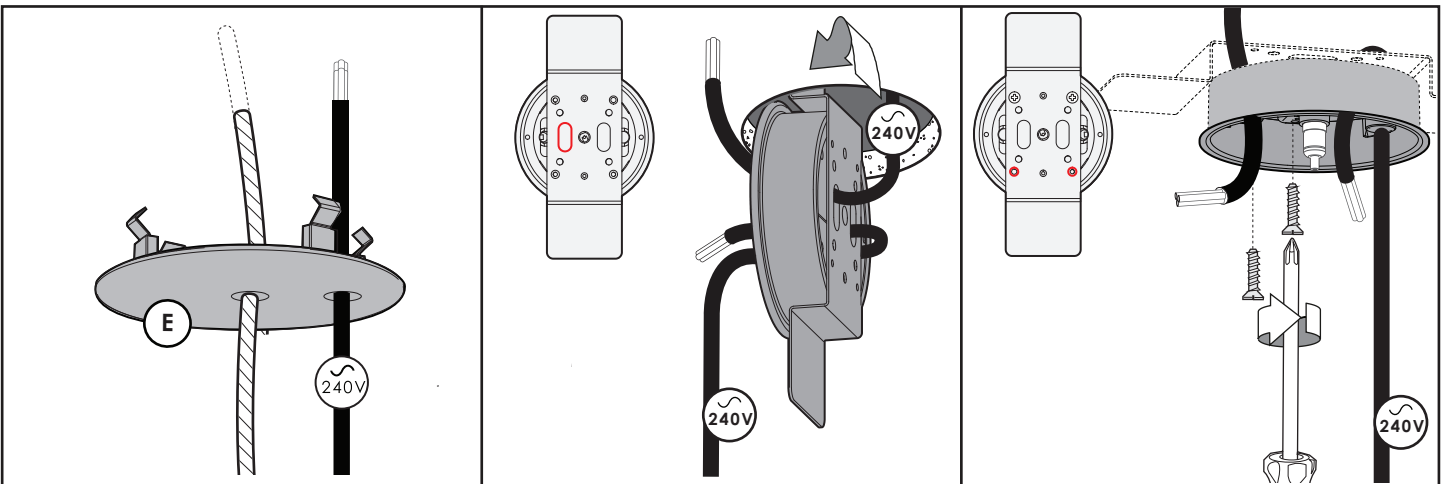
-Utilising supplied Darkon drawings, Mark out the projected hole positions for the Ceiling rose(D) & suspension points.

2.

-Align holes and install 2 of 4 bolts into one side of bracket(K).

3.

-Thread mains (240V) through the centre of ceiling plate(B) & Bracket(D). Curl back into cutout.
-Insert powercable(240V) through opposite cutout (see inset)



4.

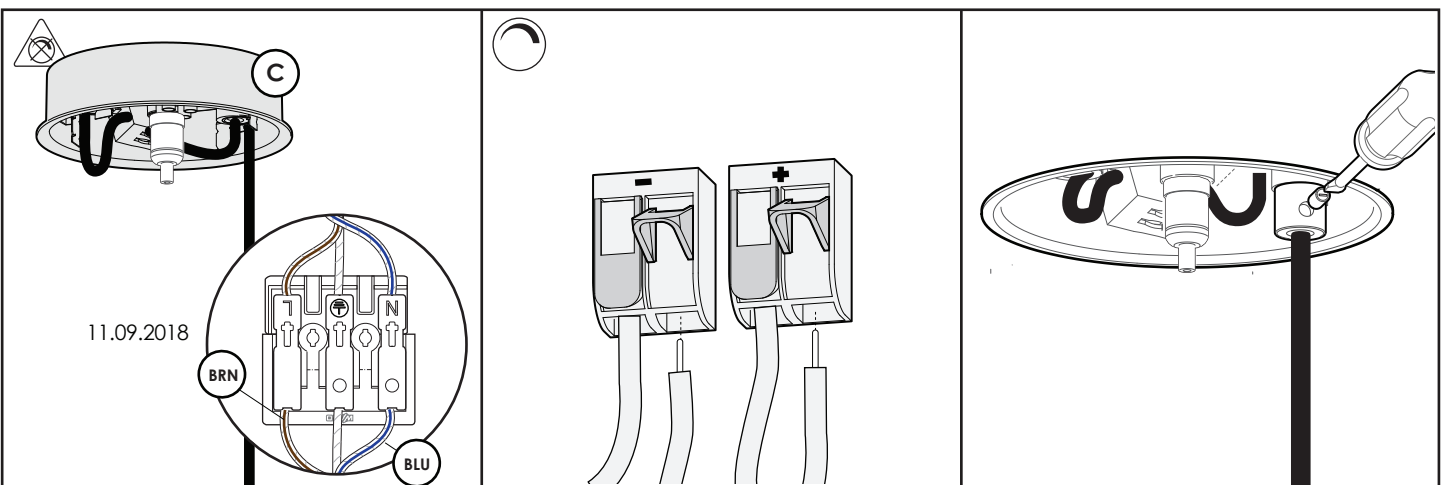
-Pull powercable(240V) through ceiling plate cover.

5.

-Insert powercable(240V) through opposite cutout (see inset)
-Step the fixed mainbody(A) & bracket(K) into the cutout.

6.

-Fix the remaining side of the ceilingplate(D) into bracket(K) with the remaining 2 bolts



7A. IF NON DIM

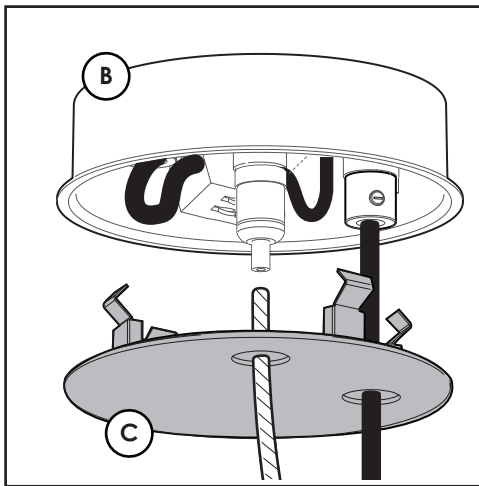
-Wire primary wires into terminal.

7B. IF DIM

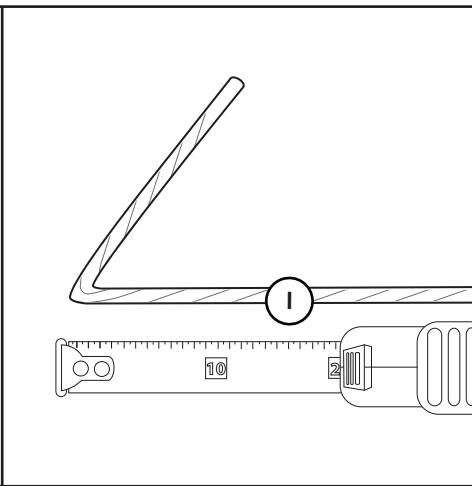
-Replicate step 7A and connect dimming wires into wago terminal block, close.

8.

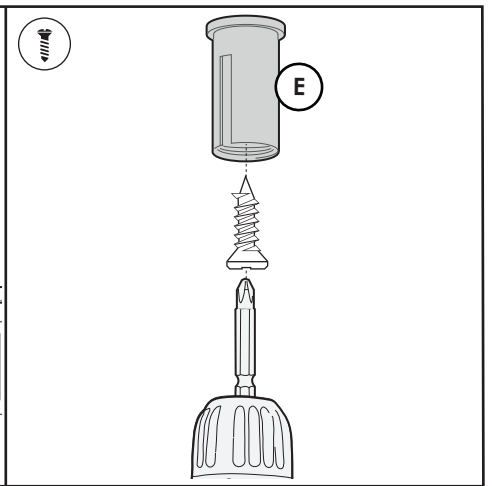
-Fix 3mm grub screw into cable anchor with flathead driver.



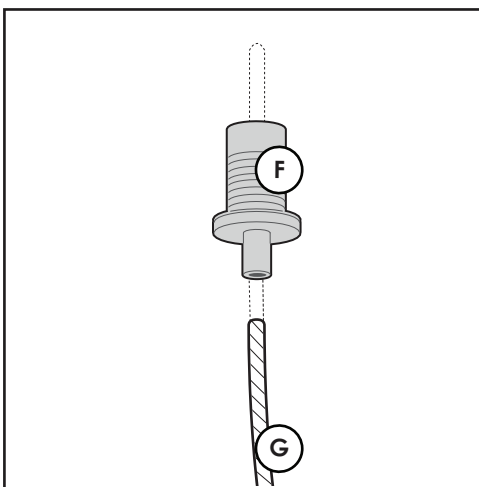
9.
-Attach cover(C) onto the ceiling rose(B).



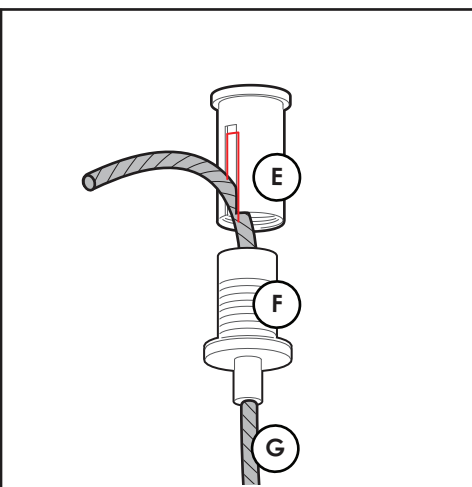
10.
-Measure desired length of the Suspension wire(G). Lightly bend and crimp to mark desired length.



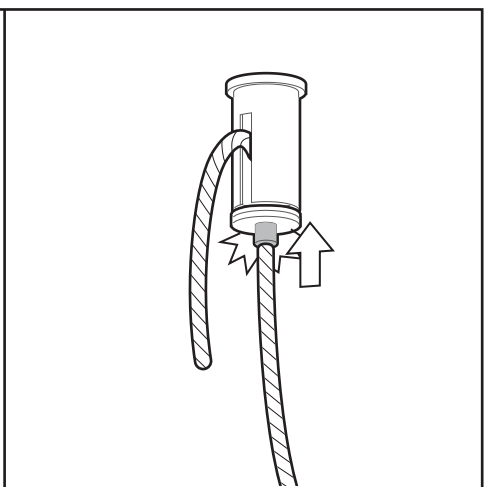
11.
-Fix the posilock(E) onto the ceiling with appropriate fasteners (not supplied).



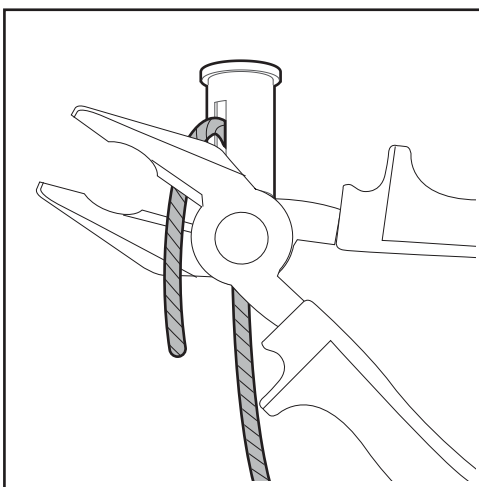
12.
-Thread the Suspension wire(G) through wire gripper(F).



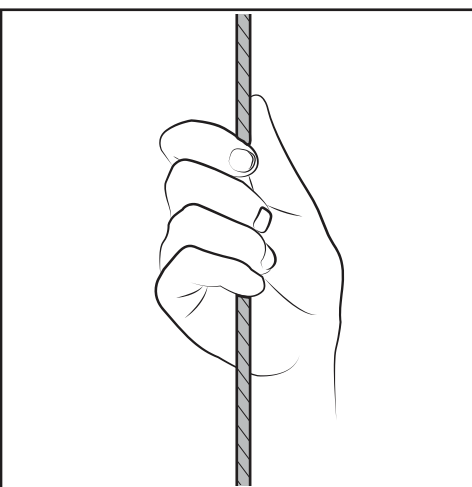
13.
-Insert excess wire(G) through slot & thread gripper(F) onto posilock(E).



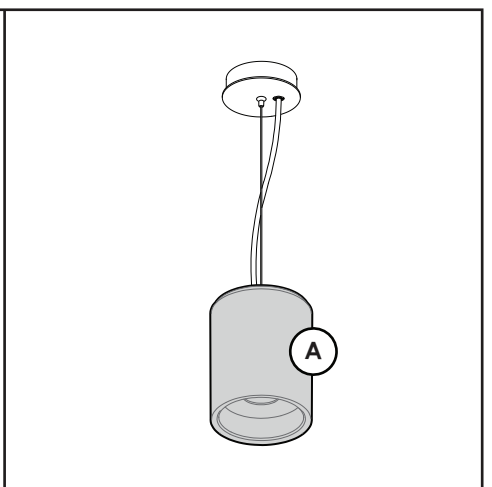
14. ADJUSTMENT
-Press sprung tip and adjust suspension wire as required.



15.
-Using pliers, trim off excess suspension wire(G).



16.
-Ensure proper installation by slightly tugging suspension wire.



17.
-Posilock Correctly installed and suspending the light fitting.