

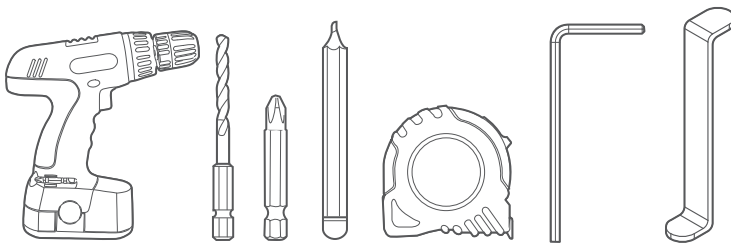
Ensure that products are mounted with supplied, recommended or appropriate screws and fixings to suit the mounting surface.

WARNING

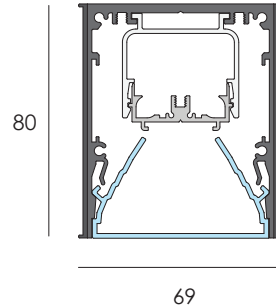
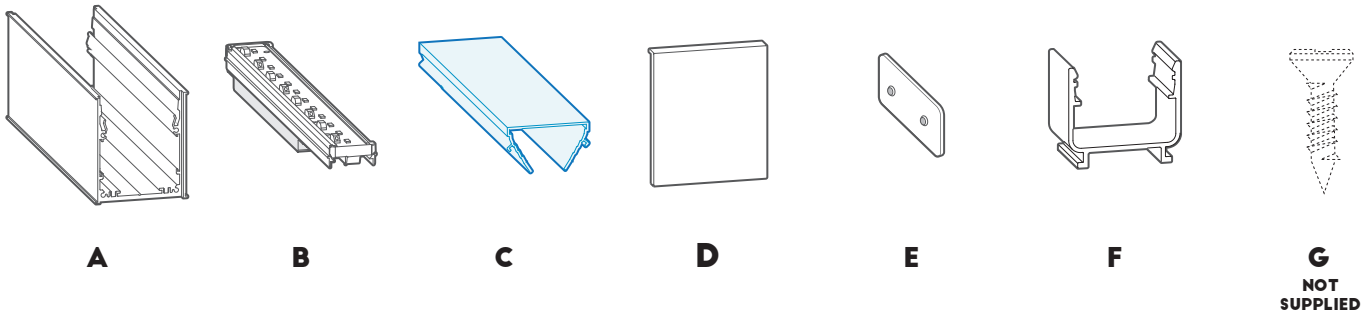
INSTALLATION IS ONLY TO BE CARRIED OUT BY SUITABLY QUALIFIED PERSONS IN ACCORDANCE WITH INSTALLATION INSTRUCTIONS AND ALL APPLICABLE REGULATIONS OR STANDARDS. (IMPROPER INSTALLATION CAN CREATE AN ELECTRICAL HAZARD WITH RISK OF ELECTRIC SHOCK, FIRE OR INJURY). DARKON WILL NOT BE HELD RESPONSIBLE FOR ANY CONSEQUENCES ARISING FROM IMPROPER PRODUCT HANDLING, STORAGE OR INSTALLATION.

TOOLS REQUIRED

POWER DRILL / DRILL BIT / PHILLIPS DRIVER / PENCIL / TAPE MEASURE
ALLEN KEY / LENS REMOVAL TOOL



COMPONENTS



MAINTENANCE

Wipe product with a clean dry microfiber cloth.

SERVICING

Integral 'driver' can be replaced if deemed faulty

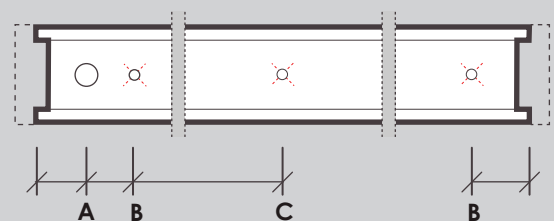


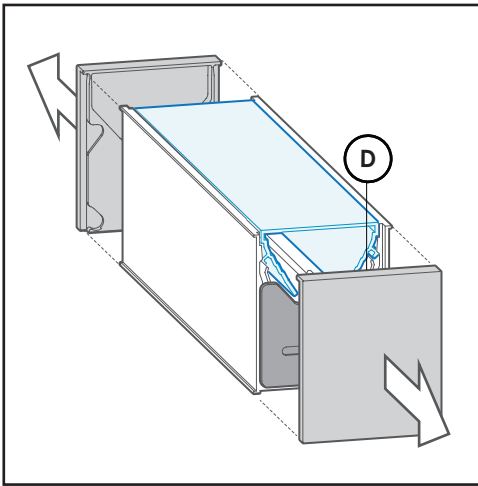
DISTANCE	DESCRIPTION
----------	-------------

A)	50MM	POWERFEED DIMENSION
B)	150MM	MOUNTING LOCATION
C)	PROFILE LENGTH ÷ 2	3RD MOUNTING LOCATION (IF LENGTH IS GREATER THAN 2.2M)

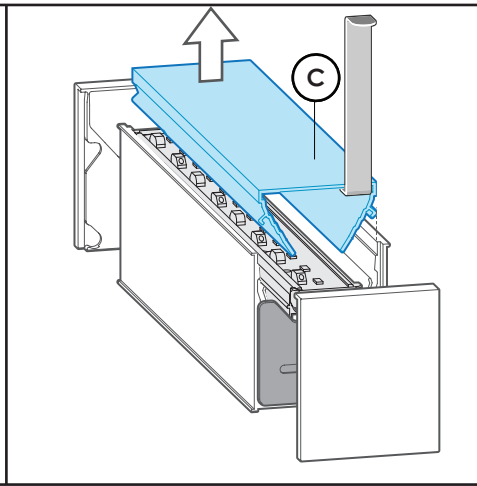
SUSPENSION DIMENSIONS

FIGURE 1. DIMENSIONS BASED OFF MAINBODY, NOT INCLUDING THICKNESS OF END CAP.

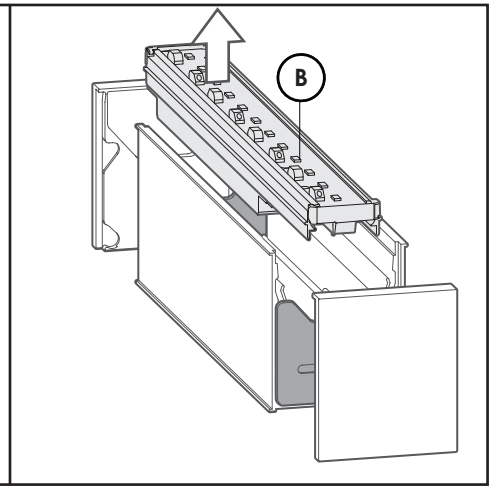




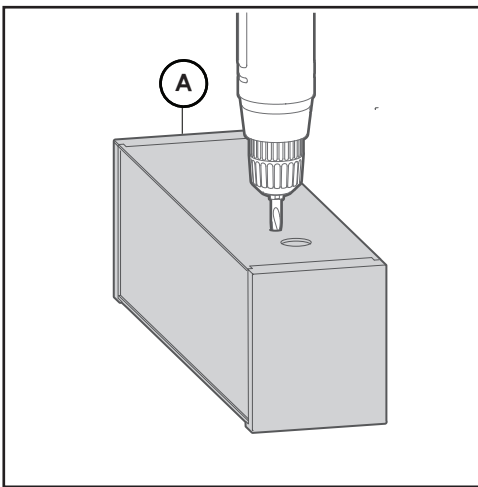
1. Pull endcaps(D) back in order to gain access to lens.



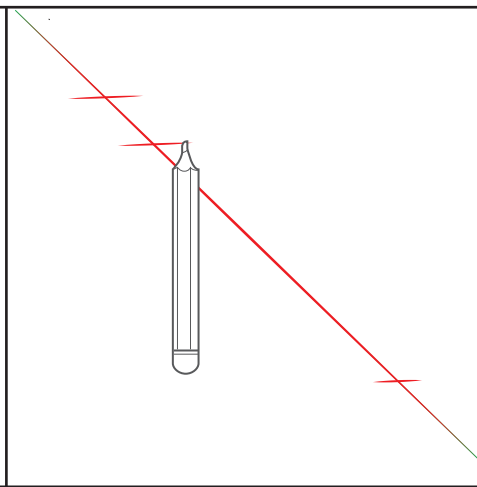
2. Use 'Lens tool' to lever 'Lens' (C) out of clipping detail.



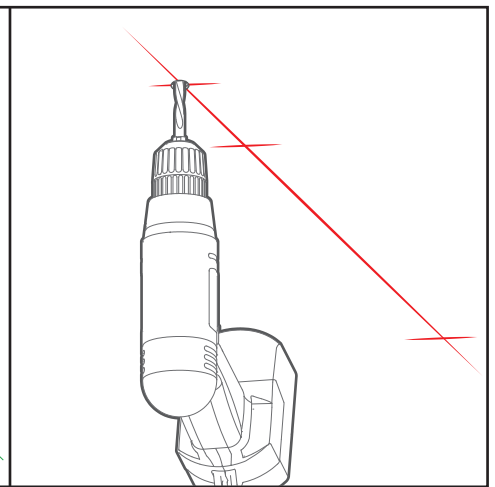
3. Remove 'Light Tray'(B) using a flat screw driver to lever out of clips.



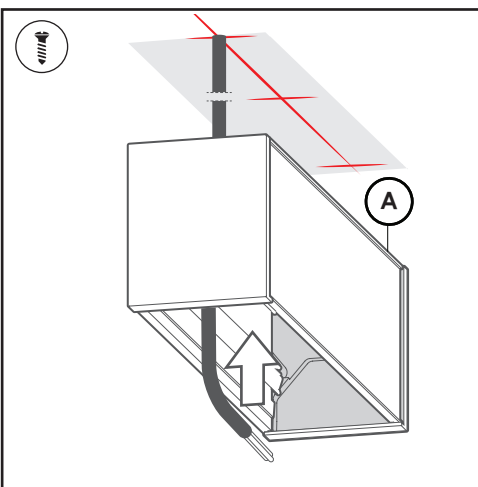
4. Mark & drill through 'Mainbody' (A). Refer to figure 1 for critical dimensions.



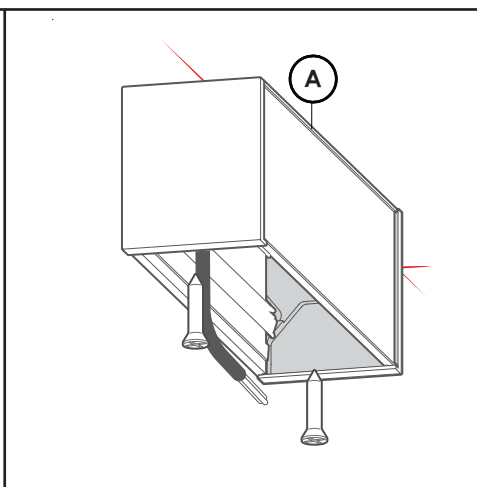
5. Measure and mark location of fitting.



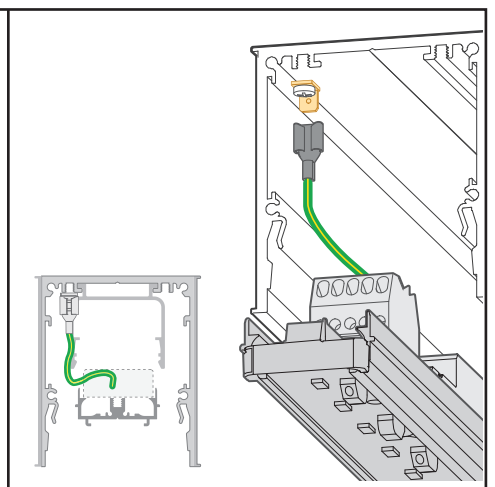
6. Drill all necessary powerfeed & pilot holes.



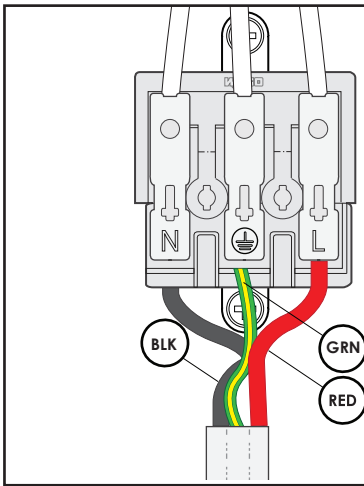
7. Feed cable through ceiling & mainbody(A)



8. Fix mainbody(A) with appropriate mounting screws(G) to ceiling (screws not supplied).

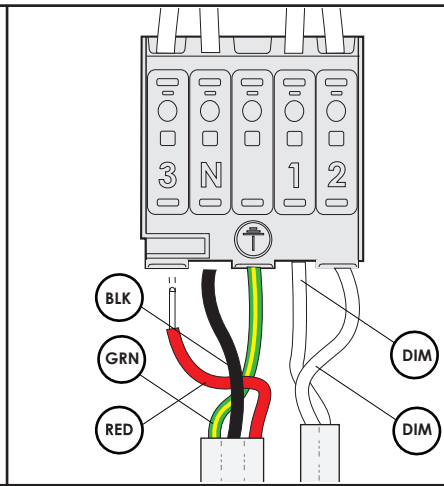


9. Insert Earth spade into Terminal.



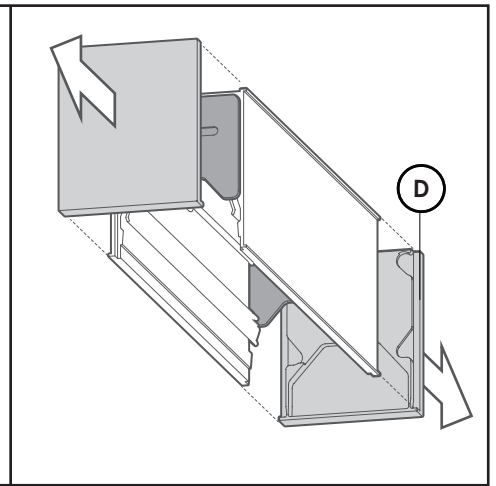
10A. IF NON DIM

Wire primary wires into terminal.



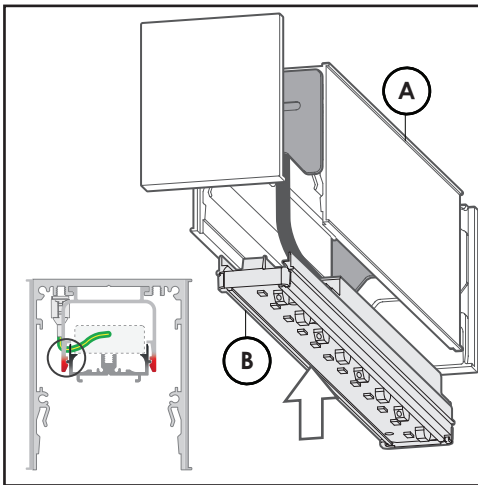
10B. IF DIM

Wire primary wires into terminal.
Wire dimming wires into terminal.



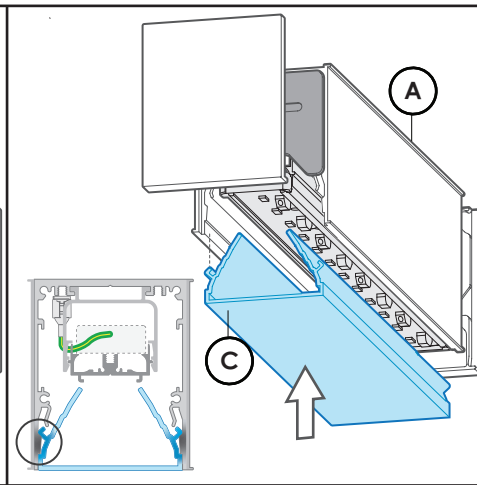
11.

Pull endcaps(D) back in order to gain access to lens.



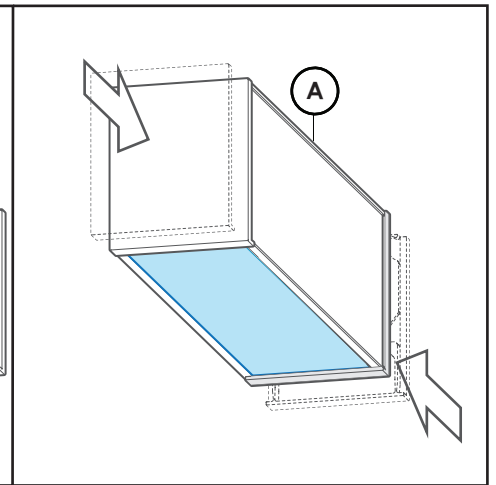
12.

Install light tray(B) by snap fitting into clips. Centre light tray.



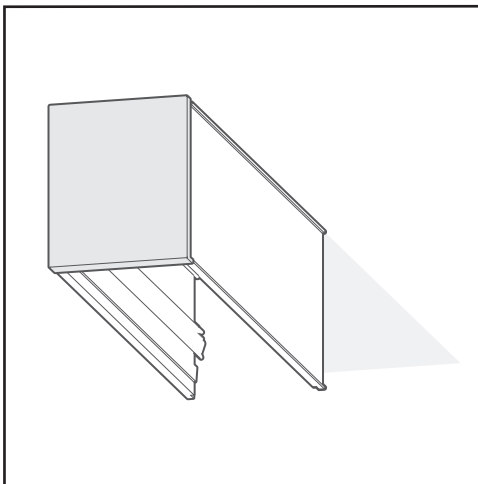
13.

Install Lens(C) by snap fitting into clipping detail. Centre lens.



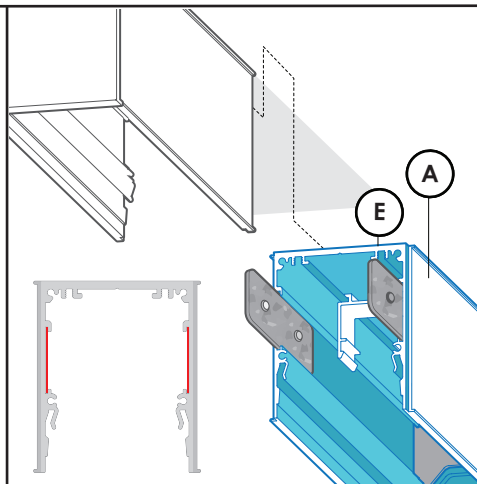
14.

Re-align end caps with lens and ensure encap(D) sits ontop of lens(B).



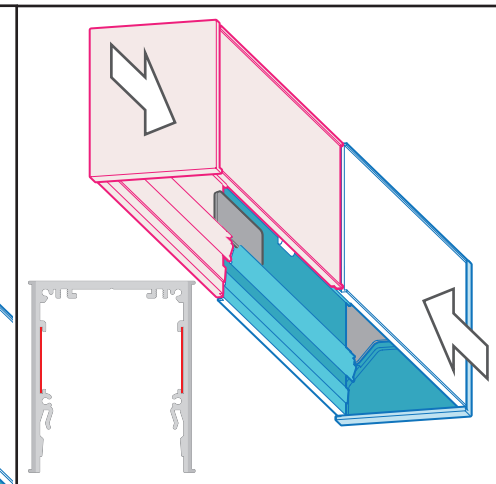
15. IF MULTIPLE BODIES

Replicate stages 1-14 in installing other 'start' bodies(A).



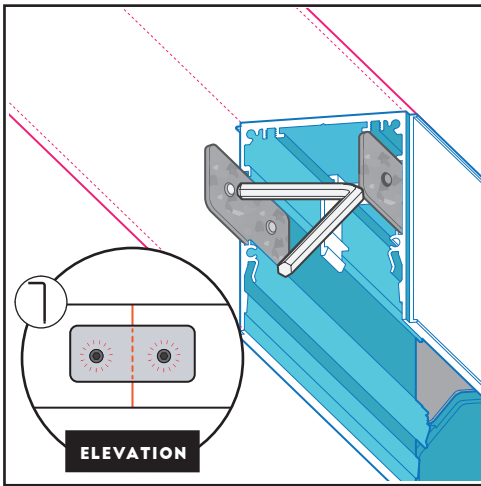
16.

Slide linear connectors(E) in sliding detail of mainbody(A) and align with installed 'start' body.

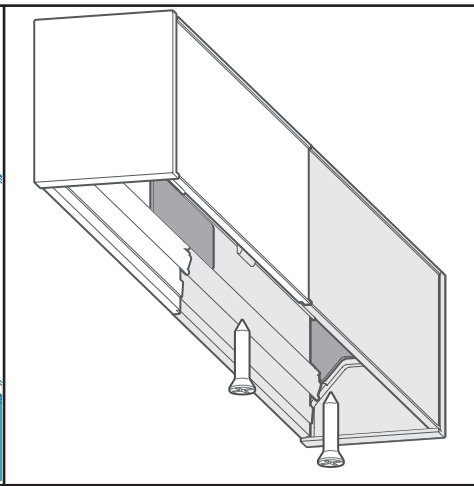


17.

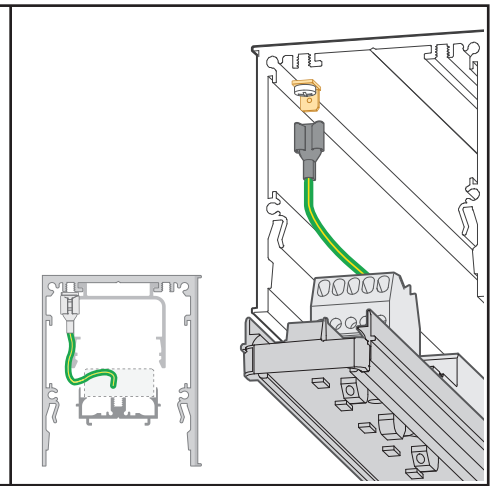
Push male 'end' body into female 'start' body. Slide linear connector between the two bodies.



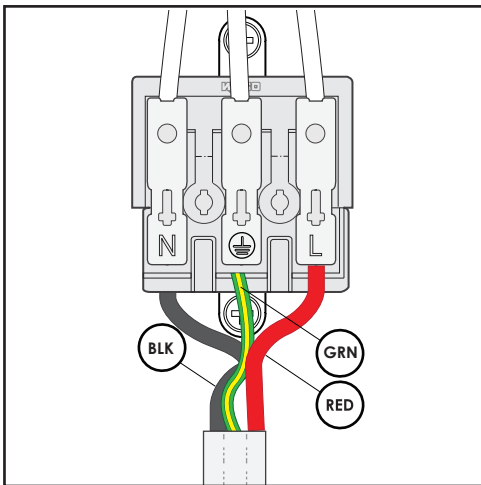
18. Fix all necessary grub screws on Linear connectors.



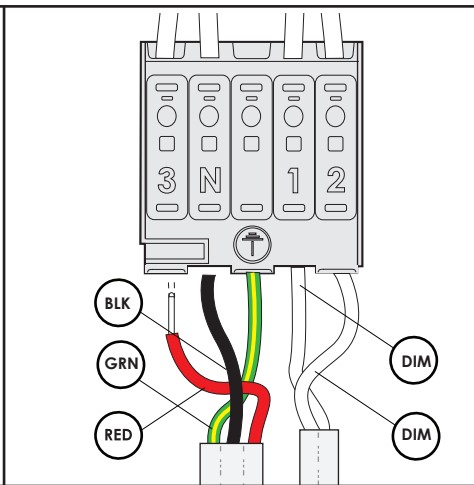
19. Fix end mainbody(A) with appropriate mounting screws(G) to ceiling (screws not supplied).



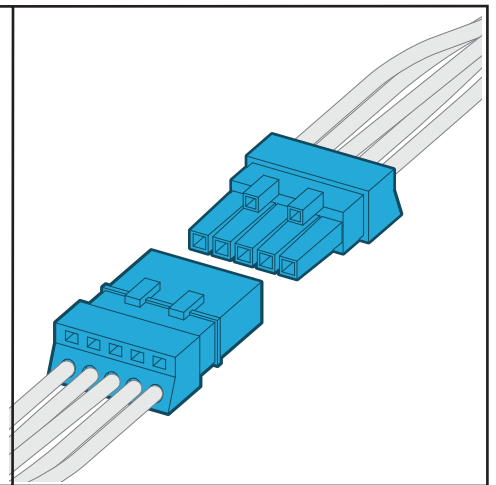
20. Insert Earth spade into Terminal.



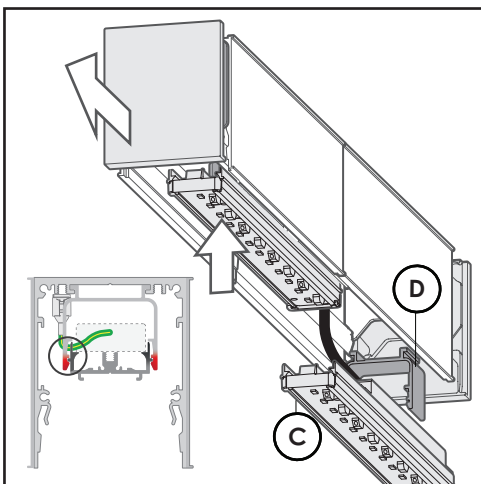
21A. IF NON DIM
Wire primary wires into terminal.



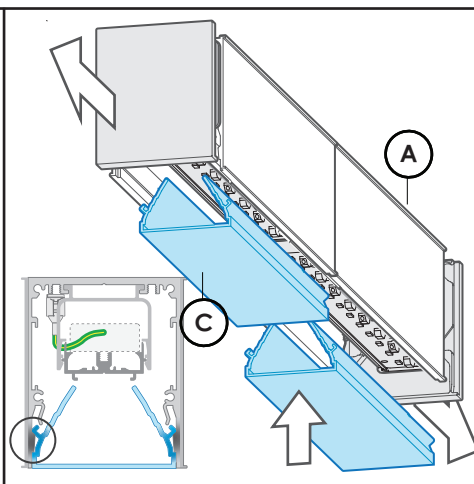
21B. IF DIM
Wire primary wires into terminal.
Wire dimming wires into terminal.



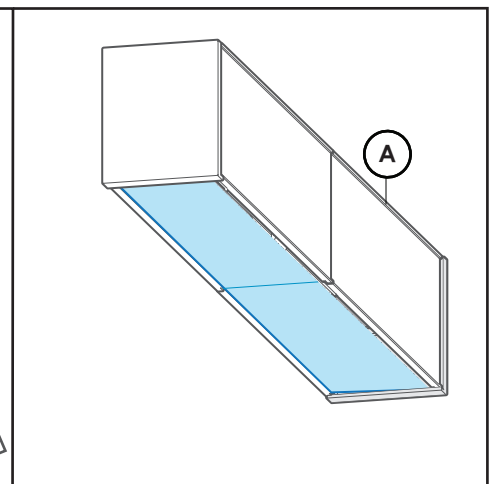
22. Connect necessary plugs.



23. Pull endcaps(D) back, install light tray(B) by snap fitting into clips(D). Centre light tray.



24. Pull endcaps(D) back, install Lens(C) by snap fitting into clipping detail. Centre lens.



25. Re-align end caps with lens and ensure encap(D) sits ontop of lens(B).